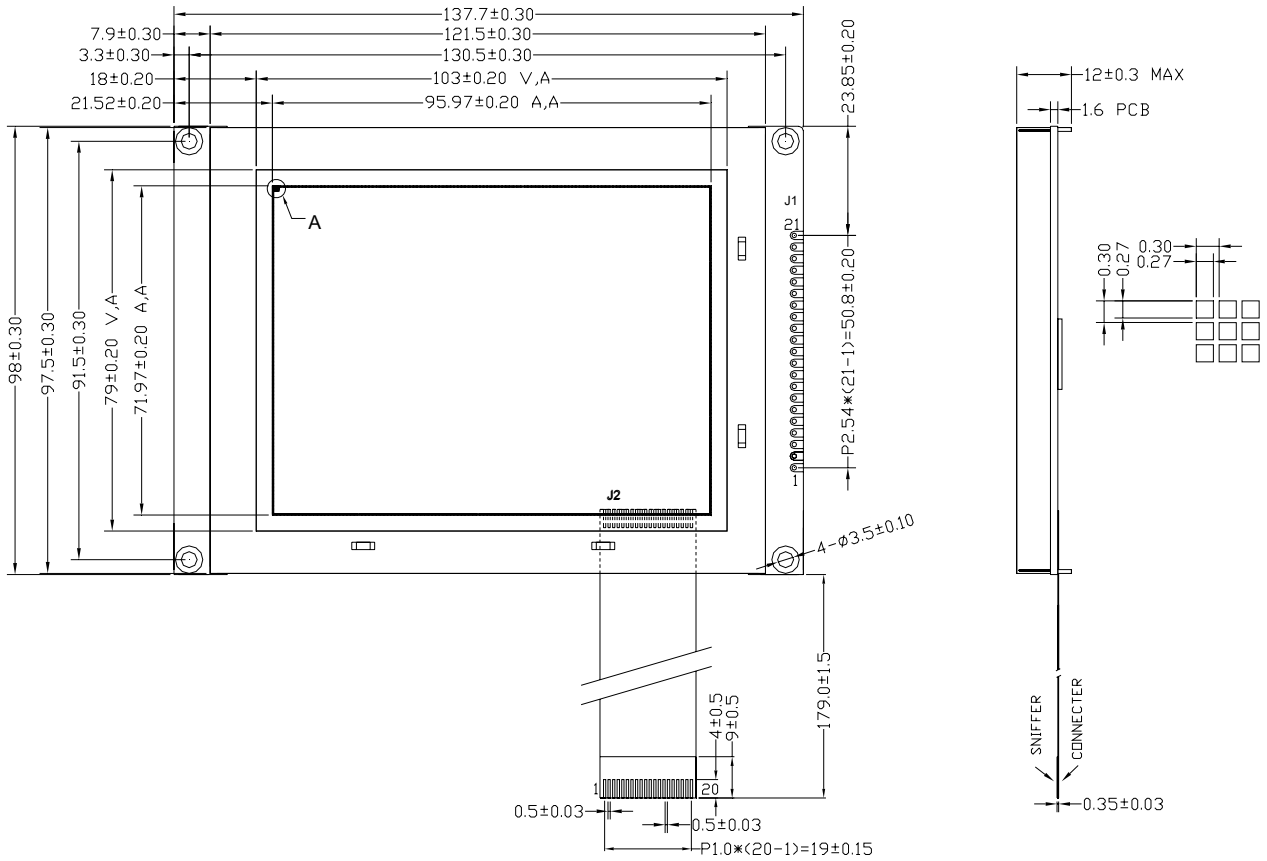
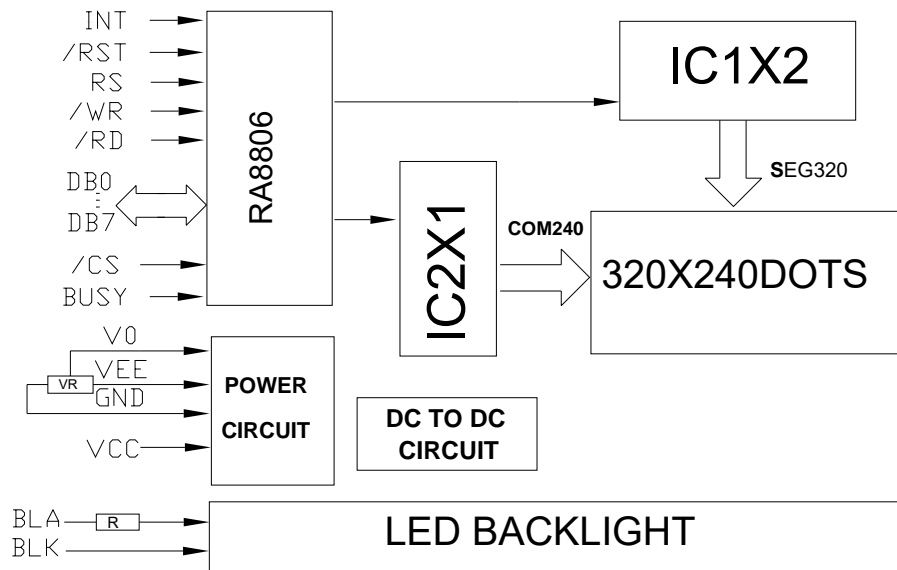


**OUTLINE DRAWING**



**BLOCK DIAGRAM**



NOTE: The controller IC RA8806 have Chinese fonts built-in

## The description of J1

Pin No.	Symbol	Level	Description
1	GND	0V	Ground
2	VCC	3.3-5V	Power supply.
3	V0(NC)	---	Contrast Adjustment Input.
4	/WR	H/L	Bus Mode is 8080 /WR =/WR Bus Mode is 6800 /WR=R/W
5	/RD	H/L	Bus Mode is 8080 /RD =/RD Bus Mode is 6800 /RD=E
6	/CS	H/L	Chip Select.
7	RS	H/L	RS=H, command code; RS=L, data.
8	/RST	H/L	Hardware global reset. Lowactive. Normally pull high.
9~16	DB0~DB7	H/L	Data bus.
17	VEE (NC)	---	Positive voltage for LCD (No connection)
18	BLA	3.3/5.0V	LED light, anode.
19	INT	H/L	Interrupt signal.
20	BUSY	H/L	Busy signal.
21	BLK	0V	LED light, cathode.

## The description of J2

Pin No.	Symbol	Level	Description
1	GND	0V	Ground
2	VCC	3.3-5V	Power supply.
3	V0(NC)	---	Contrast Adjustment Input.
4	/WR	H/L	Bus Mode is 8080 /WR =/WR Bus Mode is 6800 /WR=R/W
5	/RD	H/L	Bus Mode is 8080 /RD =/RD Bus Mode is 6800 /RD=E
6	/CS	H/L	Chip Select.
7	RS	H/L	RS=H, command code; RS=L, data.
8	/RST	H/L	Hardware global reset. Lowactive. Normally pull high.
9~16	DB0~DB7	H/L	Data bus.
17	VEE (NC)	---	Positive voltage for LCD (No connection)
18	BLA	3.3-5V	LED light, anode.
19	INT	H/L	Interrupt signal.
20	BUSY	H/L	Busy signal.

NOTE: When the consumer only use J2, the pin of “BLK” is grounded.