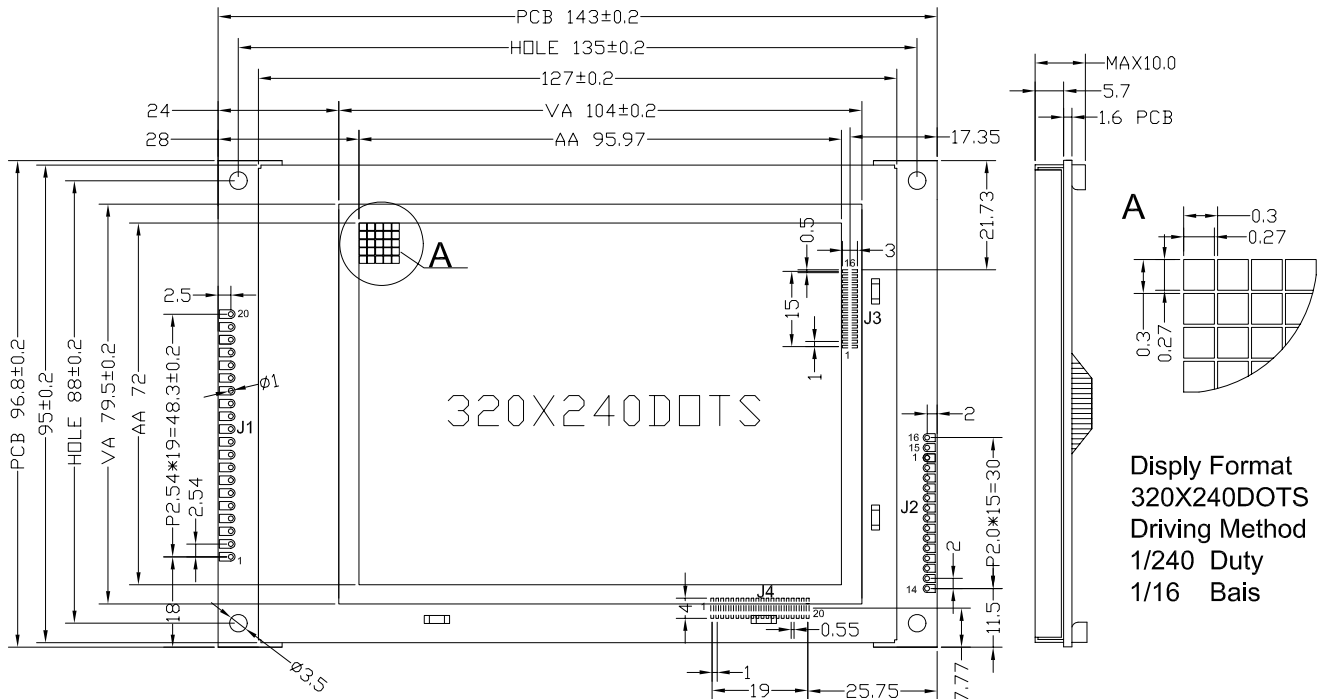


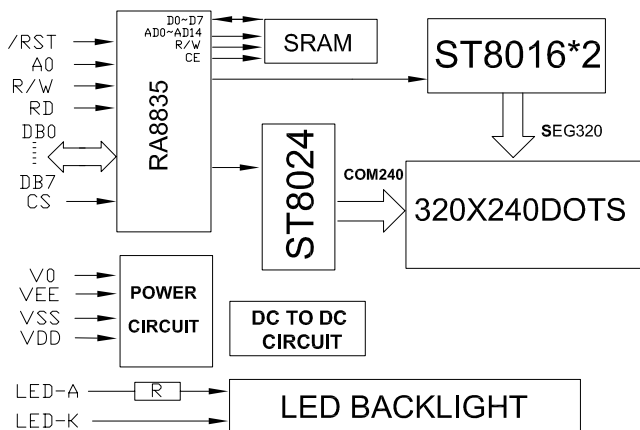
① PHYSICAL DIMENSION



② MECHANICAL DATA

ITEM	SPECIFICATION	UNIT
Module Size With B/L (W X H X T)	143X96.8X10.0	mm
Viewing Area (W X H)	104X79.5	mm
Number of Dots (W X H)	320X240	dots
Dot Pitch (W X H)	0.3X0.3	mm
Dot Size (W X H)	0.27X0.27	mm
Weight		g

④ BLOCK DIAGRAM



③ PIN CONFIGURATION

ITEM	J1/J4	DESCRIPTION(帶控制器)	J2	DESCRIPTION(不帶控制器)
1	VSS	Power Ground	FLM	Frame Signal
2	VDD	Power Positive	MCON	Alternate signal for LCD
3	V0	Positive Volt Adjust	LP	Data Latch signal
4	WR	Write Signal	CP	Data shift signal
5	RD	Read Signal	DISP	Display ON/OFF
6	CS	Chip Select	D0	Data bus [0~3]. There state I/O common terminal.
7	A0	H:Instruction Code L:Data		
8	RST	Reset Signal	D3	VDD Power Positive VSS Power Ground VEE Positive Volt Output
9	DB0	Data bus [0~7]. There state I/O common terminal.		
10				
11				
12				
13				
14		V0 Power supply for LCD		
15		FG/A Frame GND /BL Anode(+5V)		
16	DB7		LED-A Backlight anode	
17	LED-A	Backlight Anode	LED-A Backlight cathode	
18	VEE	Positive Volt Supply		
19	LED-A	Backlight anode		
20	LED-A	Backlight cathode		

⑤ ABSOLUTE MAXIMUM RATINGS (25°C)

PARAMETER	SYMBOL	MIN.	MAX.	UNIT
SUPPLY VOLTAGE LOGIC	VDD	0	5.25	V
SUPPLY VOLTAGE DRIVER	V0-VSS	0	24	V
INPUT VOLTAGE	VIN	0	VDD	V