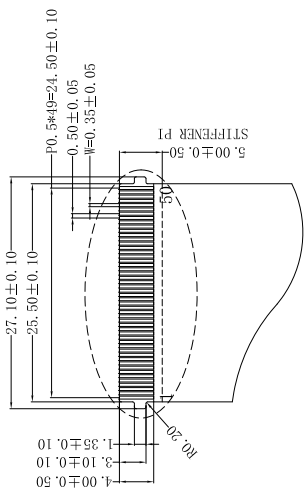
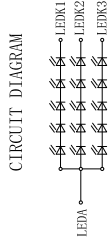
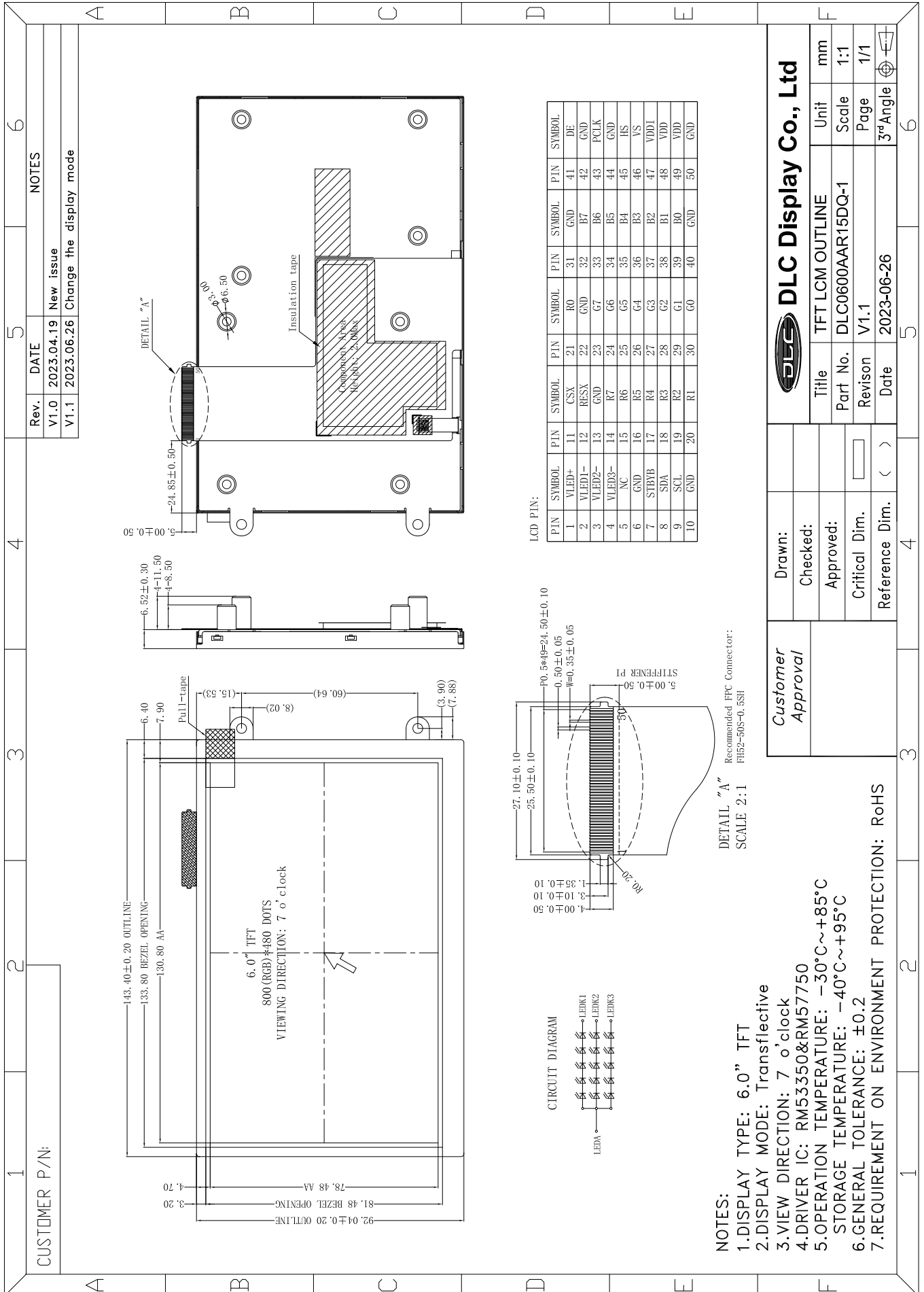




Outline Drawing



LCD PIN:

PIN	SYMBOL	PIN	SYMBOL	PIN	SYMBOL	PIN	SYMBOL	PIN	SYMBOL
1	VLED+	11	CSX	21	R0	31	GND	41	DE
2	VLED1-	12	RESSX	22	GND	32	B7	42	GND
3	VLED2-	13	GND	23	G7	33	B6	43	PCLK
4	VLED3-	14	R7	24	G6	34	B5	44	GND
5	NC	15	R6	25	G5	35	B4	45	HS
6	GND	16	R5	26	G4	36	B3	46	VS
7	STBYB	17	R4	27	G3	37	B2	47	VDD1
8	SDA	18	R3	28	G2	38	B1	48	VDD
9	SCL	19	R2	29	G1	39	B0	49	VDD
10	GND	20	R1	30	G0	40	GND	50	GND

DETAIL "A" Recommended FPC Connector: FH52-50S-0.5SH

- NOTES:
- 1.DISPLAY TYPE: 6.0" TFT
 - 2.DISPLAY MODE: Transflective
 - 3.VIEW DIRECTION: 7 o'clock
 - 4.DRIVER IC: RM5350&RM57750
 - 5.OPERATION TEMPERATURE: -30°C~+85°C
STORAGE TEMPERATURE: -40°C~+95°C
 - 6.GENERAL TOLERANCE: ±0.2
 - 7.REQUIREMENT ON ENVIRONMENT PROTECTION: RoHS

Customer Approval	Drawn:	DLC Display Co., Ltd			
	Checked:				
	Approved:	Title	TFT LCM OUTLINE	Unit	mm
	Critical Dim.	Part No.	DLC0600AAR15DQ-1	Scale	1:1
	Reference Dim.	Revision	V1.1	Page	1/1
		Date	2023-06-26	3rd Angle	