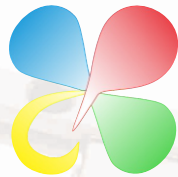




24
HOURS
ONLINE

SPECIALIZING IN CUSTOMIZATION OF AUTOMATED ALIGNMENT PLATFORM
ARRIVING AT THE SCENE WITHIN 24 HOURS TO SOLVE THE PROBLEM



东莞市诚鲲五金电子科技有限公司

C&K mechatronics



www.dgchengkun.com





诚鲲科技大厦

东莞市诚鲲五金电子科技有限公司



Enterprise Profile

Dongguan C&K Mechatronix Co., LTD, founded in 2017, locate in Qiaotou Town, Dongguan City, Guangdong Province. We are a national high-tech enterprise integrating the R&D, production, sales and focus on the R&D of the automated accessories. Our products mainly include precision motorized/manual alignment platform, actuator, linear motor, guide rail, arc angle measurement slide table, etc which are widely use in precision automatic assembling equipment industry, 3C products, electric vehicles, medical equipment and other industries. Our team members, with more than ten years of experience in precision hardware manufacturing, serve customers' customized needs of various hardware with "one-solution" manufacturing. Our main customers are famous home and foreign companies such as Panasonic, Yamaichi Electric, Zhongguang Hi-Tech, Alpa Robots.

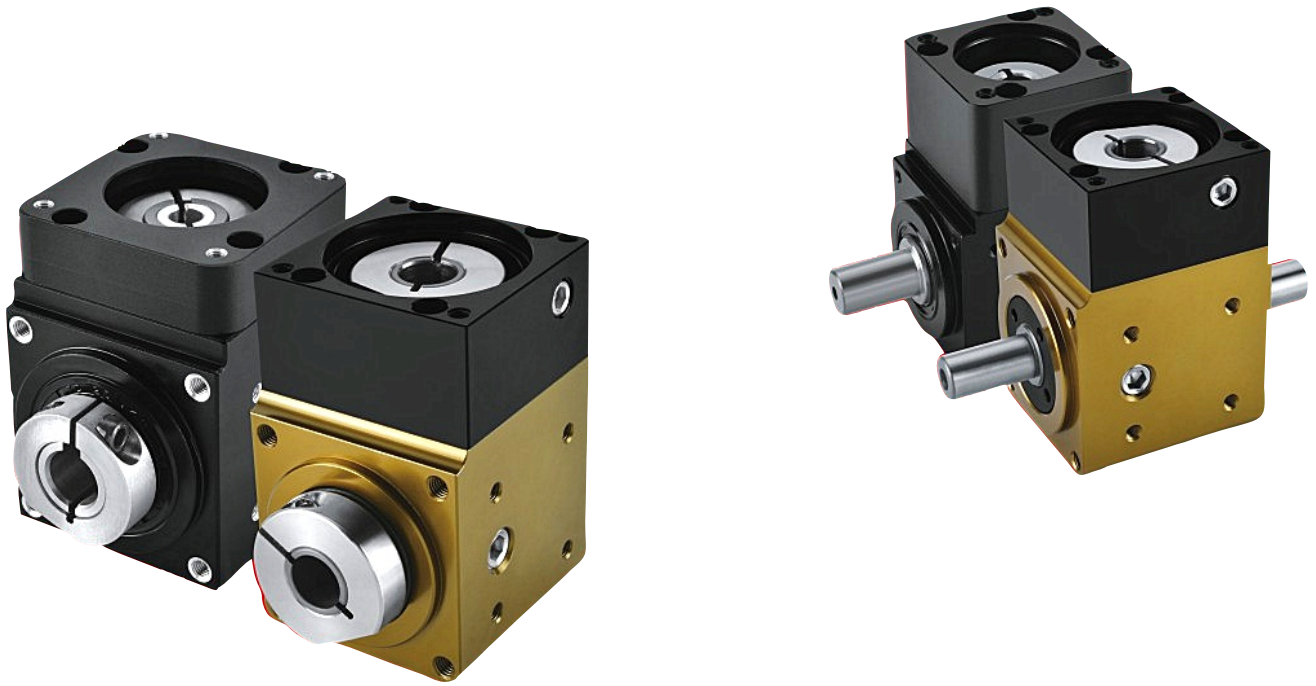
In 2018, We cooperate with Korea Mentor in technology, information sharing, localized manufacturing. We improve our competitiveness with high efficiency, high precision and low cost. We ensure that every product has information trace-ability through digital workshop and product liability management.

In 2019, we are the first to put forward the "24H on site to solve problems(China Only)" service which make the use of automated transmission become worry-less.

We always implement "provide quality products and services, keep improving, ensure customer satisfaction and trust" quality policy, adhere to "market-oriented, customer-concentric" business philosophy to meet customer needs. We will take all our efforts to make C&K become customers' trust and preferred brand.



精密直角减速机 Precision Right Angle Reducer



- 体积小 Small size
- 转向节省空间 Space Saving
- 高精度 High Precision
- 低噪音 Low Noisy



CONTENTS

目录

01 JLA 精密直角减速机

JLA Precision Right Angle Reducer

03 JLFZ 精密直角减速机

JLFZ Precision Right Angle Reducer

05 JFKA 高精密螺旋齿行星减速机

JFKA High precision spiral gear planetary reducer

07 JFKD 高精密螺旋齿行星减速机

JFKA High precision spiral gear planetary reducer

09 JFKF 精密行星减速机

JFKF Precision Planetary Reducer

11 JFKH 高精密法兰行星减速机

JFKH High precision flange planetary reducer

JLA系列精密直角减速机

Precision Right Angle Reducer

技术参数 Technical Parameter

产品型号 Product Model	单位 Unit	JLA-()42	JLA-()60	JLA-()90
比数 Odds	I	1:2/1:3/1:5	1:2/1:3/1:5	1:2/1:3/1:5
额定输出扭矩 Rated Output Torque	Nm	16	24	48
最大出力矩 Max. Output Torque	Nm	48	72	144
额定转速 Rated Rotation Speed	rpm	1500	1500	1500
最大转速 Max. Rotation Speed	rpm	3000	3000	3000
回程间隙 Backhaul Gap	arcmin	≤1	≤1	≤1
容许径向力 Allowable Radial Force	N	350	560	1050
容许轴向力 Allowable Axial Force	N	160	230	550
转动惯量 Moment of Inertia	KG.cm ²	0.03	0.08	0.08
工作效率 Work Efficiency	%	97%	97%	97%
使用寿命 Serve Life	h	≥20000	≥20000	≥20000
使用温度 Operating Temperature	°C	-15°C-90°C	-15°C-90°C	-15°C-90°C
噪音值 Noise Value	Db	≤62	≤62	≤62
润滑 Lubricating	Lub	合成润滑油脂 Synthetic Lubricating Grease	合成润滑油脂 Synthetic Lubricating Grease	合成润滑油脂 Synthetic Lubricating Grease
保护等级 Protection Level	IP	65	65	65
安装方向 Installation Direction	MP	任意方向 Any Direction	任意方向 Any Direction	任意方向 Any Direction
重量 Weight	Kg	0.5	0.9	3.55

* 以上技术参数仅供参考，实际根据客户提供的数据，会出具相应的技术参数及尺寸
The above technical parameters are for reference only. According to the data provided by the customer, the corresponding technical parameters and dimensions will be issued.



LAD (实心轴 Solid Shaft)

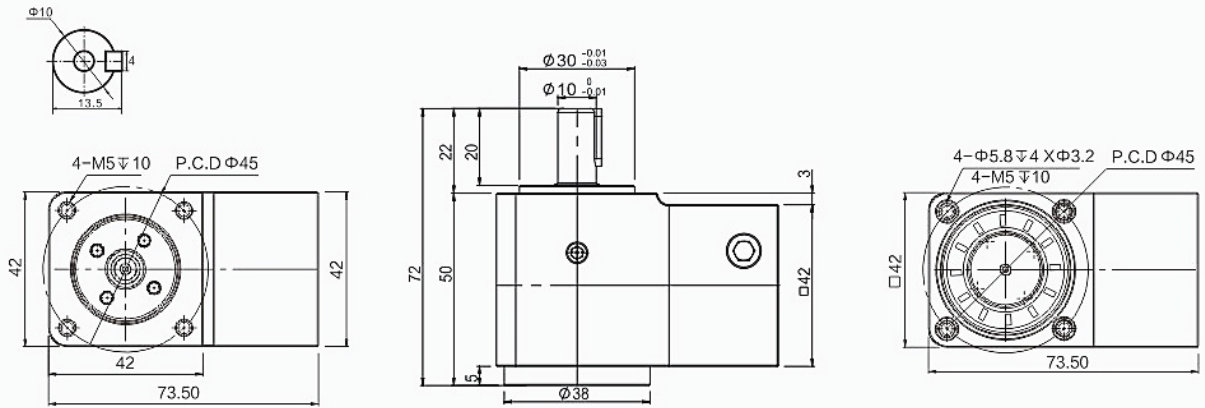


LAK (空心轴 Hollow Shaft)

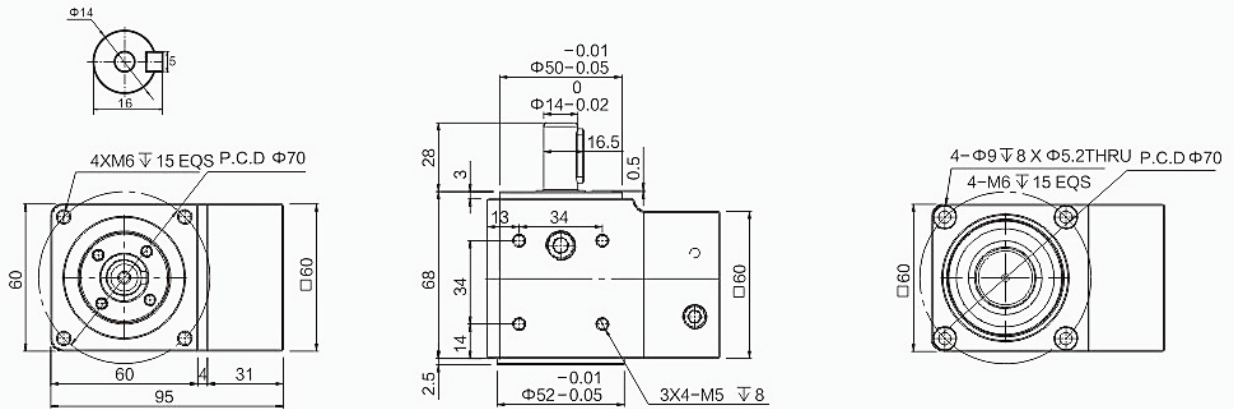


LAS (双出力轴 Double Output Shaft)

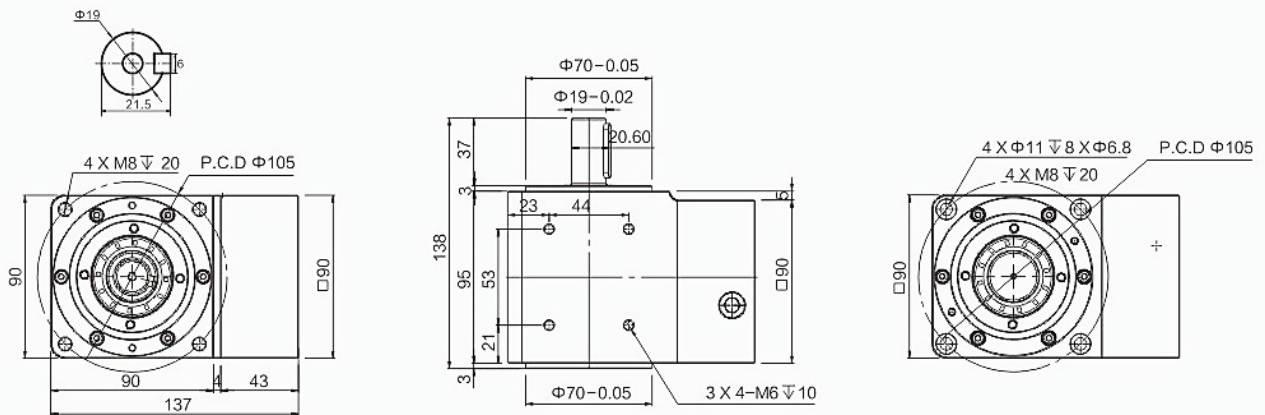
JLA()-42-L1-2-8-30



JLA()-60-L1-2-14-50



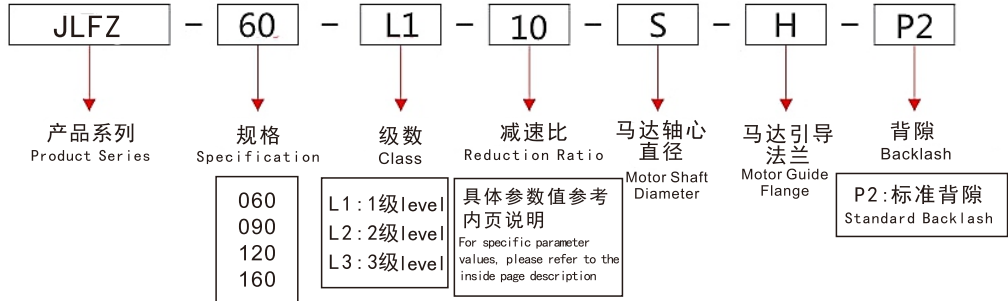
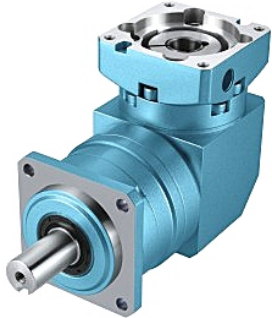
JLA()-90-L1-2-19-70



JLFZ系列精密直角减速机

Right angle precision reducer

型号识别 Model Identification



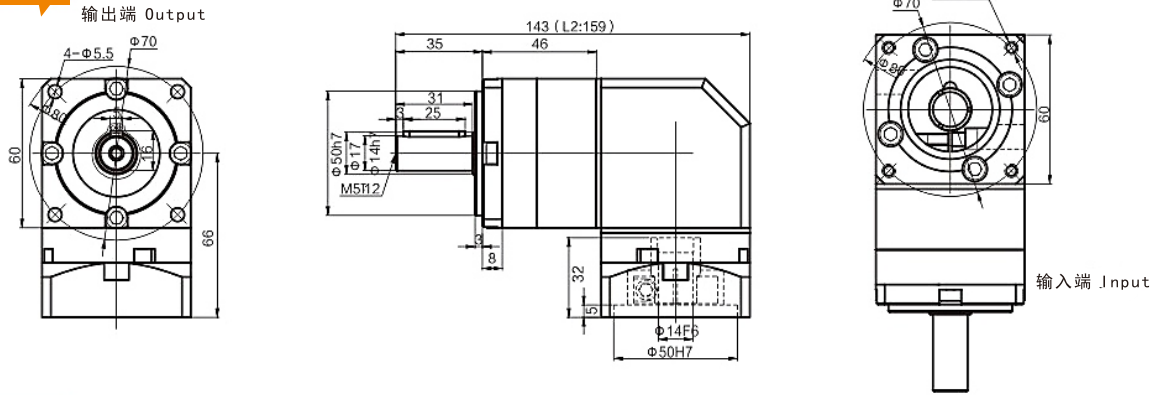
技术参数 Technical Parameter

规格 Specification	单位 Unit	级数 Class	减速比 Reduction Ratio	JLFZ-60	JLFZ-90	JLFZ-120	JLFZ-120
额定输出扭矩 T_{2N} Rated Output Torque	N. m	1	3	21	73	175	380
			4	32	95	246	610
			5	35	103	251	450
			7	30	82	238	/
			8	/	/	/	370
			10	16	48	120	/
		2	12	35	108	255	750
			16	33	105	260	760
			20	33	110	253	780
			25	35	110	261	755
			28	34	107	250	/
			32	/	/	/	780
			35	34	110	248	/
			40	33	108	248	790
			50	32	95	220	/
			64	/	/	/	380
70	30	98	235	/			
最大输出扭矩 T_{200} Max. Output Torque T_{200}	N. m	1, 2	3~1000	3倍额定输出力矩 Three Times the Rated Output Torque			
额定转速 n_n Rated Rotation Speed n_n	rpm	1, 2	3~1000	3000			
最大转速 $n_{n, Max}$ Max. Rotation Speed $n_{n, Max}$	rpm	1, 2	3~1000	6000	5000	5000	5000
标准级回程间隙 P2 Standard Return Clearance P2	arcmin	1, 2	3~10	≤12	≤12	≤12	≤12
		1, 2	12~70	≤15	≤15	≤15	≤15
扭转刚性 Torsional Rigidity	N. M/arcmin	1, 2	3~1000	4	10.5	19	22
容许径向力 F_{200} Allowable Radial Force F_{200}	N	1, 2	3~1000	800	1600	2850	6800
容许轴向力 F_{200} Allowable Axial Force F_{200}	N	1, 2	3~1000	630	980	2400	5950
转动惯量 J1 Moment of Inertia J1	kg. cm ²	1, 2	3~1000	0.12	0.38	1.5	5
工作效率 η Work Efficiency η	%	1, 2	3~10	≥95%			
		1, 2	12~70	≥92%			
使用寿命 Lh Serve Life Lh	h	1, 2	3~1000	≥20000			
使用温度 T Operation Temperature T	°C	1, 2	3~1000	-15°C~90°C			
噪音值 Noisy Value	Db	1, 2	3~1000	≤60	≤62	≤65	≤67
润滑 Lubricating	Lub	1, 2	3~1000	合成润滑有油脂 Synthetic Lubricating Grease			
保护等级 Protection Level	P	1, 2	3~1000	65			
安装方向 Installation Direction	MP	1, 2	3~1000	任意方向 Any Direction			
重量 Weight	KG	1	3-10	2.2	4.7	11.8	26
		2	12-70	2.5	5.3	13.8	32

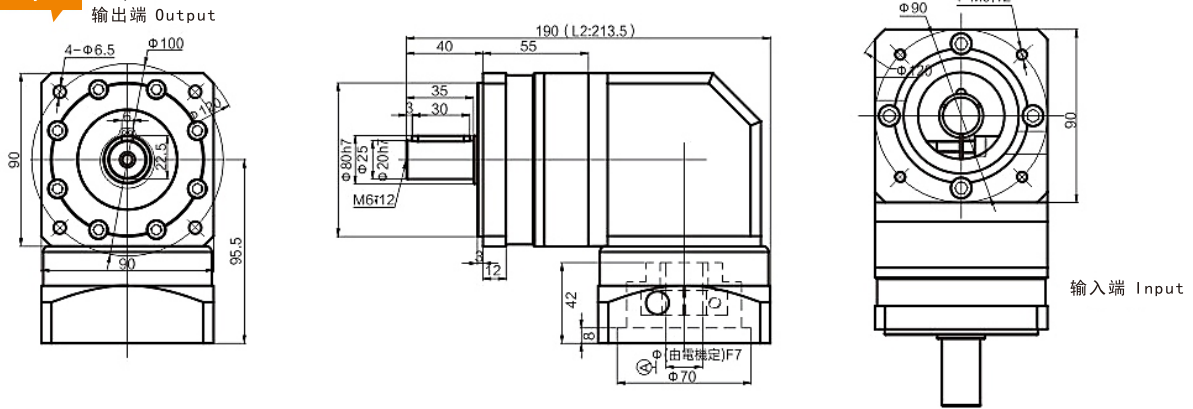
工业自动化技术解决方案专业供应商

professional supplier of industrial automation technology solutions

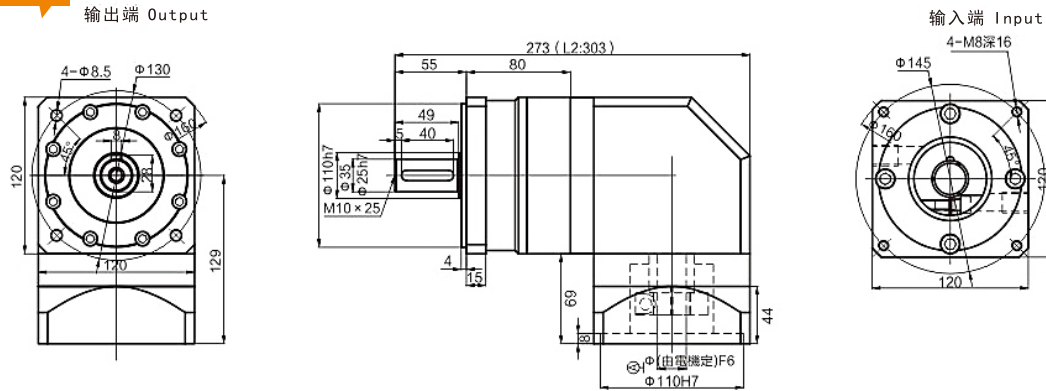
JLFZ-60-L1/L2



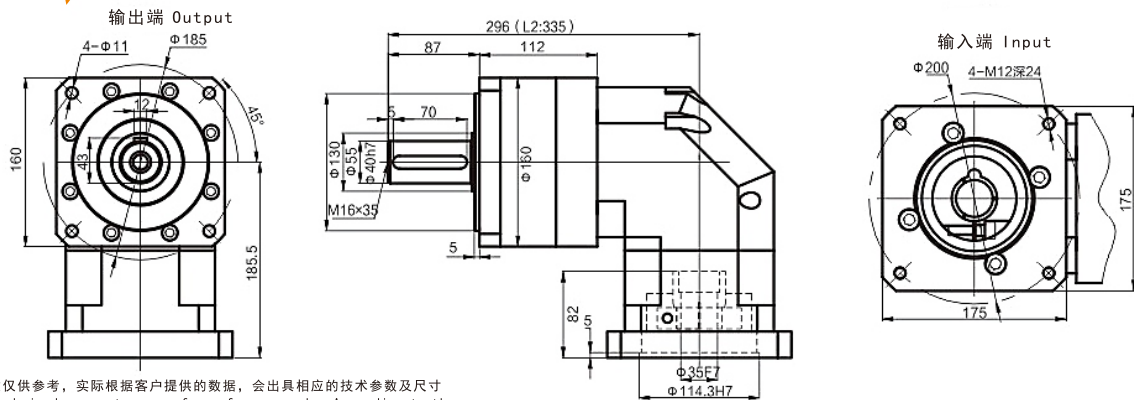
JLFZ-90-L1/L2



JLFZ-120-L1/L2



JLFZ-160-L1/L2

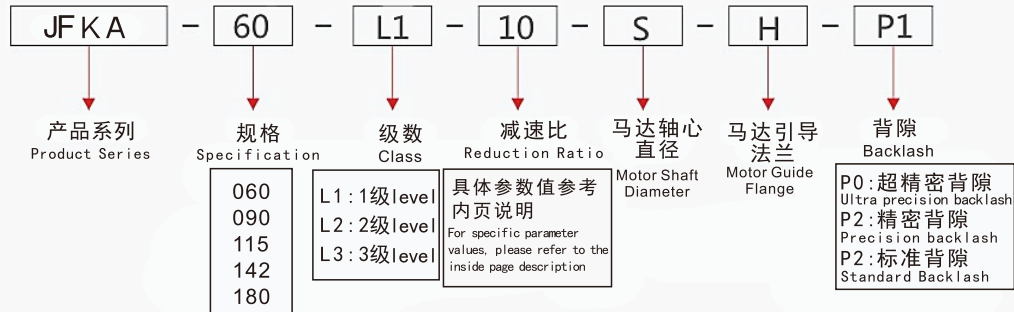


* 以上技术参数仅供参考，实际根据客户提供的数据，会出具相应的技术参数及尺寸
The above technical parameters are for reference only. According to the data provided by the customer, the corresponding technical parameters and dimensions will be issued.

JFKA 高精度螺旋齿行星减速机

High precision spiral gear planetary reducer

型号识别 Model Identification



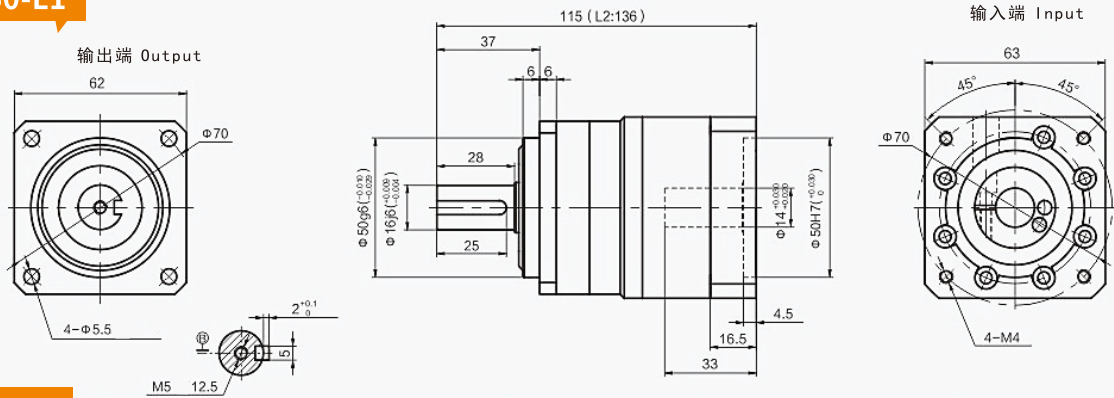
技术参数 Technical Parameter

规格 Specification	单位 Unit	级数 Class	减速比 Reduction Ratio	JFKA-60	JFKA-90	JFKA-115	JFKA-140	
额定输出扭矩 T_{2N} Rated Output Torque	N. m	1	3	35	120	240	500	
			4	50	140	300	650	
			5	50	140	350	700	
			6	50	140	350	700	
			7	50	140	320	700	
			8	45	130	320	650	
			9	35	100	260	480	
			10	35	100	260	480	
			2	15	34	130	300	500
				20	50	142	350	650
		25		50	160	350	700	
		30		35	150	310	620	
		35		50	140	350	700	
		40		50	130	300	650	
		50		50	160	350	700	
		70		50	140	350	700	
		80	45	140	350	500		
		90	35	100	230	480		
100	35	100	230	480				
最大输出扭矩 T_{200} Max. Output Torque T_{200}	N. m	1, 2	3~100	3倍额定输出力矩 Three Times the Rated Output Torque				
额定转速 n_N Rated Rotation Speed n_N	rpm	1, 2	3~100	5000				
最大转速 $n_{..Max}$ Max. Rotation Speed $n_{..Max}$	rpm	1, 2	3~100	8000				
高精度回程间隙 P1 High precision return clearance p_1	arcmin	1	3~10	≤ 3				
		2	15~100	≤ 5				
扭转刚性 Torsional Rigidity	N. M/arcmin	1, 2	3~100	8	14	25	50	
容许径向力 F_{200} Allowable Radial Force F_{200}	N	1, 2	3~100	1200	2500	4500	7000	
容许轴向力 F_{200} Allowable Axial Force F_{200}	N	1, 2	3~100	1030	2200	4000	6000	
转动惯量 J_1 Moment of Inertia J_1	kg. cm ²	1, 2	3~100	0.13	0.5	2.5	5.4	
工作效率 η Work Efficiency η	%	1	3~10	$\geq 97\%$				
		2	15~100	$\geq 95\%$				
使用寿命 L_h Serve Life L_h	h	1, 2	3~100	≥ 20000				
使用温度 T Operation Temperature T	°C	1, 2	3~100	-15°C~90°C				
噪音值 Noisy Value	Db	1, 2	3~100	≤ 58	≤ 60	≤ 62	≤ 65	
润滑 Lubricating	Lub	1, 2	3~100	合成润滑有油脂 Synthetic Lubricating Grease				
保护等级 Protection Level	IP	1, 2	3~100	65				
安装方向 Installation Direction	MP	1, 2	3~100	任意方向 Any Direction				
重量 Weight	KG	1	3~10	1.3	3.5	7.8	16	
		2	15~100	1.6	4.2	9.5	18	

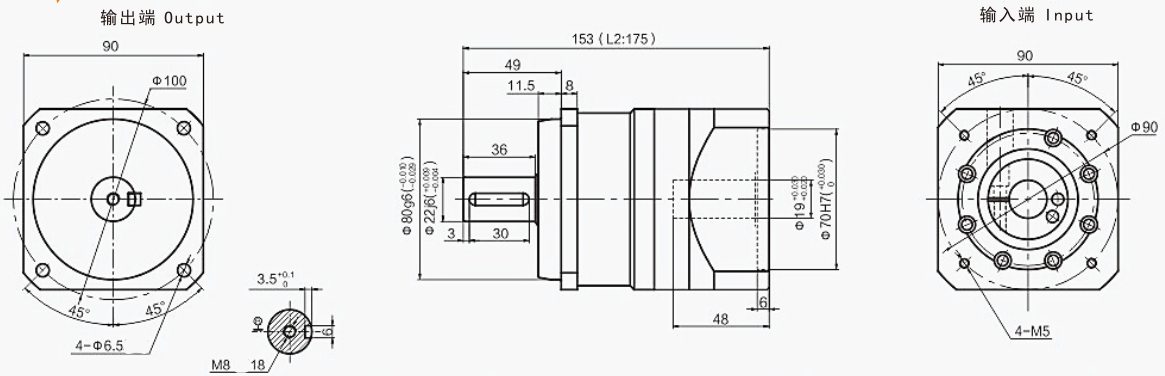
工业自动化技术解决方案专业供应商

professional supplier of industrial automation technology solutions

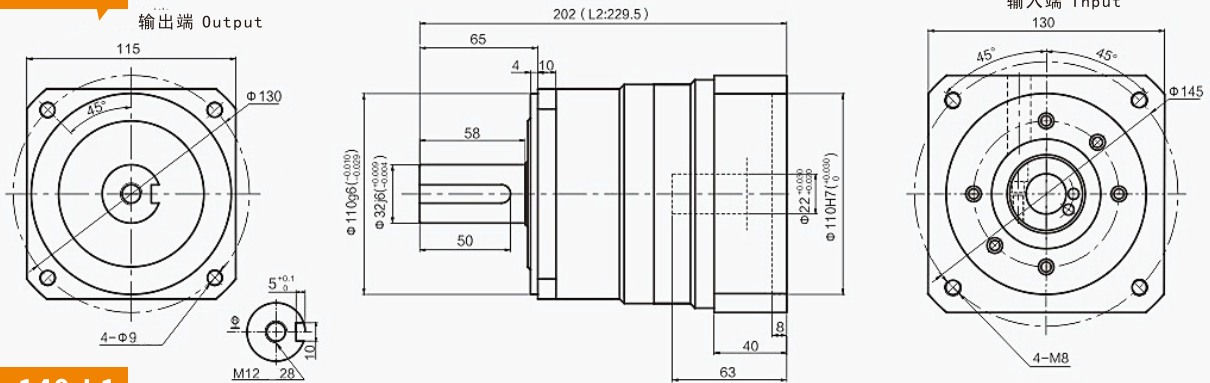
JFKA-60-L1



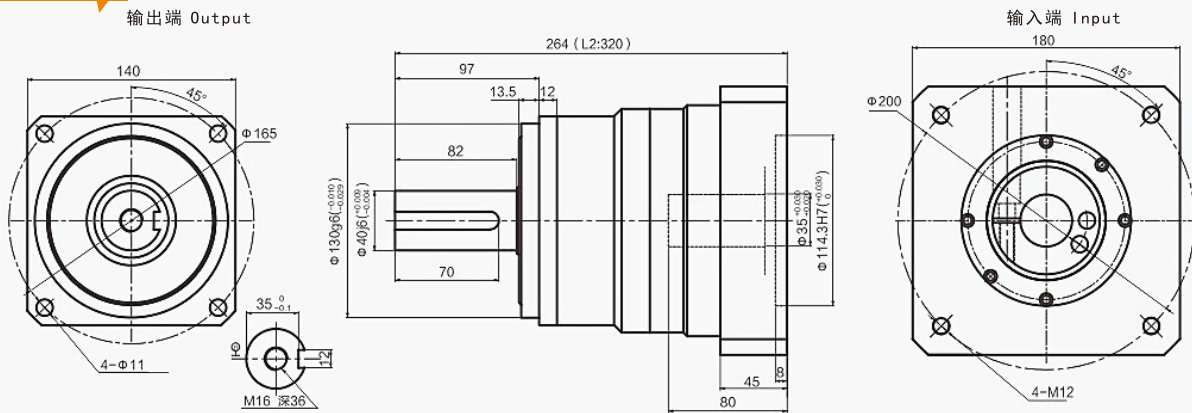
JFKA-90-L1



JFKA-115-L1



JFKA-140-L1

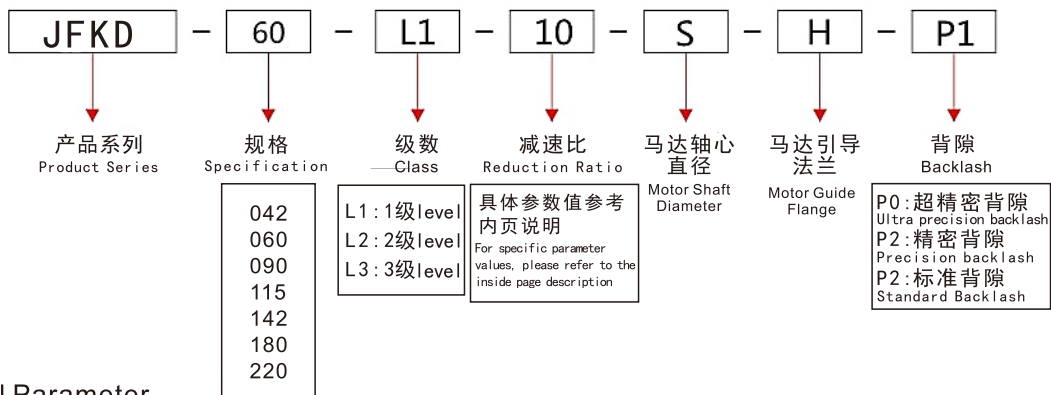


* 以上技术参数仅供参考, 实际根据客户提供的数据, 会出具相应的技术参数及尺寸
 The above technical parameters are for reference only. According to the data provided by the customer, the corresponding technical parameters and dimensions will be issued.

JFKD 高精度螺旋齿行星减速机

High precision spiral gear planetary reducer

型号识别 Model Identification



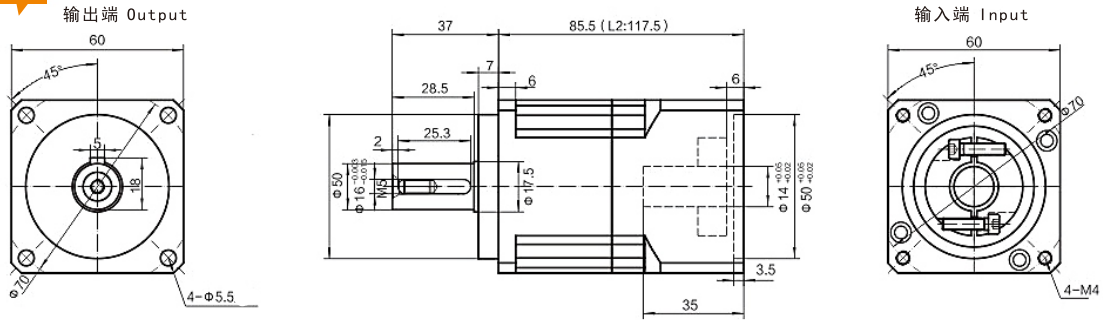
技术参数 Technical Parameter

规格 Specification	单位 Unit	级数 Class	减速比 Reduction Ratio	JFKD-60	JFKD-90	JFKD-115	JFKD-142
额定输出扭矩 T_{2N} Rated Output Torque	N.m	1	3	35	120	240	500
			4	50	140	300	650
			5	50	140	350	700
			6	50	140	350	700
			7	50	140	320	700
			8	45	130	320	650
			10	35	100	260	480
		2	15	34	130	300	500
			20	50	142	350	650
			25	50	160	350	700
			30	35	150	310	620
			35	50	140	350	700
			40	50	130	300	650
			50	50	130	350	700
			70	50	140	350	700
			80	45	140	350	500
			100	35	100	230	480
最大输出扭矩 T_{200} Max. Output Torque T_{200}	N.m	1、2	3~100	3倍额定输出力矩 Three Times the Rated Output Torque			
额定转速 n_{1N} Rated Rotation Speed n_{1N}	rpm	1、2	3~100	5000			
最大转速 $n_{1,Max}$ Max. Rotation Speed $n_{1,Max}$	rpm	1、2	3~100	8000			
高精级回程间隙 P1 High precision return clearance p1	arcmin	1	3~10	≤3			
		2	15~100	≤5			
扭转刚性 Torsional Rigidity	N.M/arcmin	1、2	3~100	8	14	25	50
容许径向力 F_{2RB} Allowable Radial Force F_{2RB}	N	1、2	3~100	1200	2500	4500	7000
容许轴向力 F_{2AB} Allowable Axial Force F_{2AB}	N	1、2	3~100	1030	2200	4000	6000
转动惯量 J_1 Moment of Inertia J_1	kg.cm ²	1、2	3~100	0.13	0.5	2.5	5.4
工作效率 η Work Efficiency η	%	1	3~10	≥97%			
		2	15~100	≥95%			
使用寿命 L_h Serve Life L_h	h	1、2	3~100	≥20000			
使用温度 T Operation Temperature T	°C	1、2	3~100	-15°C~90°C			
噪音值 Noisy Value	Db	1、2	3~100	≤58	≤60	≤62	≤65
润滑 Lubricating	Lub	1、2	3~100	合成润滑有油脂 Synthetic Lubricating Grease			
保护等级 Protection Level	IP	1、2	3~100	65			
安装方向 Installation Direction	MP	1、2	3~100	任意方向 Any Direction			
重量 Weight	KG	1	3~10	1.3	3.7	7.8	15
		2	15~100	1.8	4.1	9.3	17.5

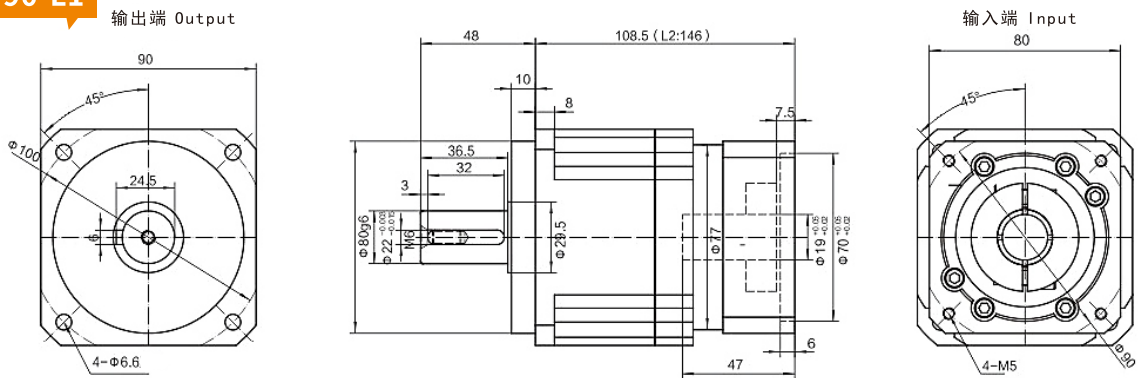
工业自动化技术解决方案专业供应商

professional supplier of industrial automation technology solutions

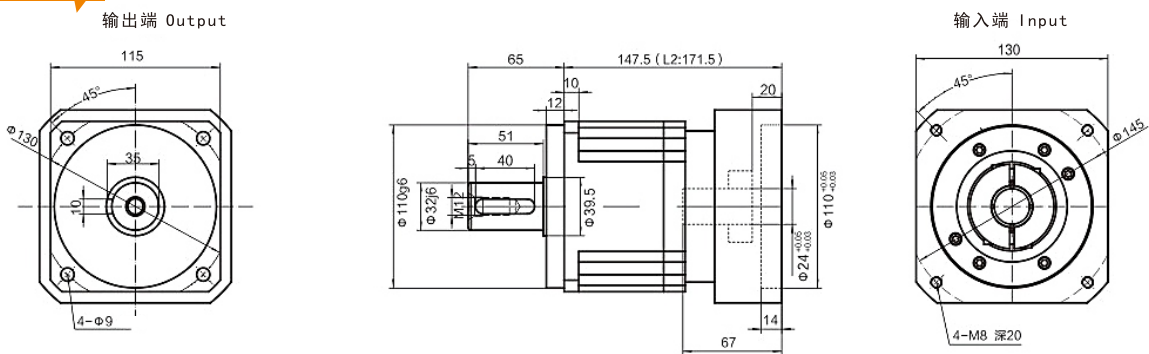
JFKD-60-L1



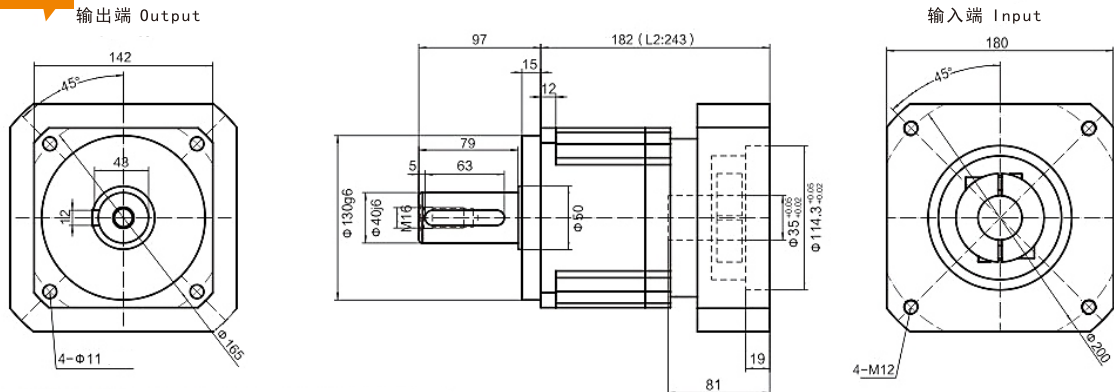
JFKD-90-L1



JFKD-115-L1



JFKD-142-L1

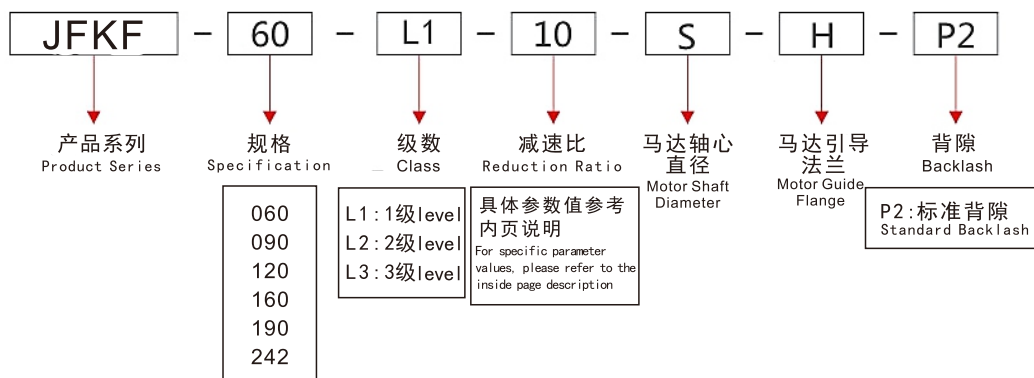


* 以上技术参数仅供参考, 实际根据客户提供的数据, 会出具相应的技术参数及尺寸
The above technical parameters are for reference only. According to the data provided by the customer, the corresponding technical parameters and dimensions will be issued.

JFKF 精密行星减速机

Precision Planetary Reducer

型号识别 Model Identification



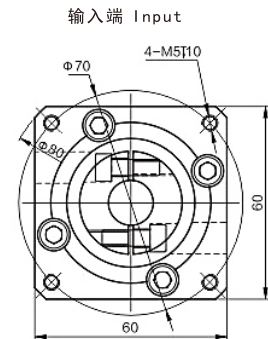
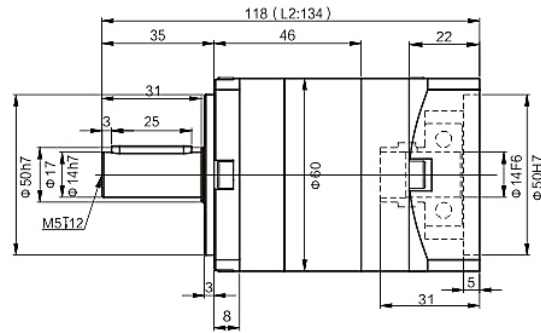
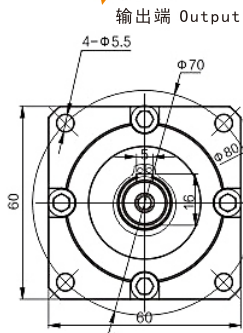
技术参数 Technical Parameter

规格 Specification	单位 Unit	级数 Class	减速比 Reduction Ratio	JFKF-60	JFKF-90	JFKF-120	JFKF-160
额定输出扭矩 T_{2N} Rated Output Torque	N. m	1	3	21	73	175	380
			4	32	95	246	610
			5	35	103	251	450
			7	30	82	238	/
			8	/	/	/	370
		2	10	16	48	120	/
			12	35	108	255	750
			16	33	105	260	760
			20	33	110	253	780
			25	35	110	261	755
			28	34	107	250	/
			32	/	/	/	780
			35	34	110	248	/
			40	33	108	248	790
			50	32	95	220	/
			64	/	/	/	380
			70	30	98	235	/
最大输出扭矩 T_{2007} Max. Output Torque T_{2007}	N. m	1, 2	3~1000	3倍额定输出力矩 Three Times the Rated Output Torque			
额定转速 n_{2N} Rated Rotation Speed n_{2N}	rpm	1, 2	3~1000	3000			
最大转速 n_{1M} Max. Rotation Speed n_{1M} Max	rpm	1, 2	3~1000	6000	5000	5000	5000
标准级回程间隙 P2 Standard Return Clearance P2	arcmin	1, 2	3~10	≤8	≤8	≤8	≤8
		1, 2	12~70	≤12	≤12	≤12	≤12
扭转刚性 Torsional Rigidity	N. M/arcmin	1, 2	3~1000	4	10.5	19	22
容许径向力 F_{2R} Allowable Radial Force F_{2R}	N	1, 2	3~1000	800	1600	2850	6800
容许轴向力 F_{2AS} Allowable Axial Force F_{2AS}	N	1, 2	3~1000	630	980	2400	5950
转动惯量 J_1 Moment of Inertia J_1	kg. cm ²	1, 2	3~1000	0.12	0.38	1.5	5
工作效率 η Work Efficiency η	%	1, 2	3~10	≥95%			
		1, 2	12~70	≥92%			
使用寿命 L_h Serve Life L_h	h	1, 2	3~1000	≥20000			
使用温度 T Operation Temperature T	°C	1, 2	3~1000	-15°C~90°C			
噪音值 Noisy Value	Db	1, 2	3~1000	≤60	≤62	≤65	≤67
润滑 Lubricating	Lub	1, 2	3~1000	合成润滑有油脂 Synthetic Lubricating Grease			
保护等级 Protection Level	P	1, 2	3~1000	65			
安装方向 Installation Direction	MP	1, 2	3~1000	任意方向 Any Direction			
重量 Weight	KG	1	3~10	1	2.75	6.8	19.6
		2	12~70	1.3	3.4	9	25.3

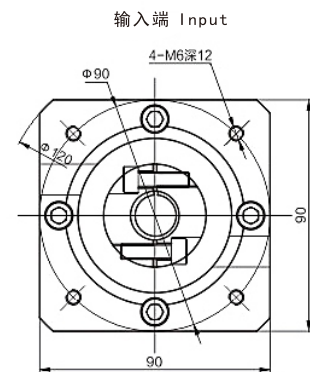
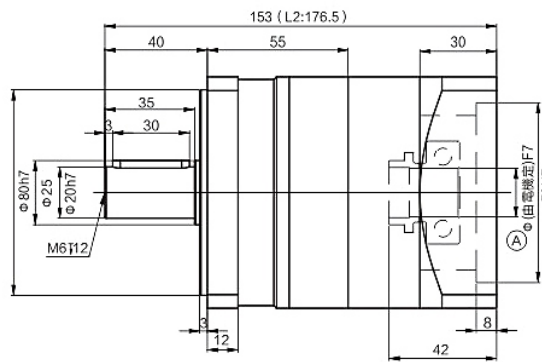
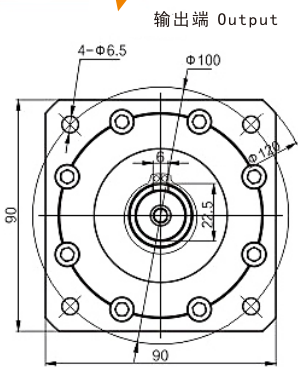
工业自动化技术解决方案专业供应商

professional supplier of industrial automation technology solutions

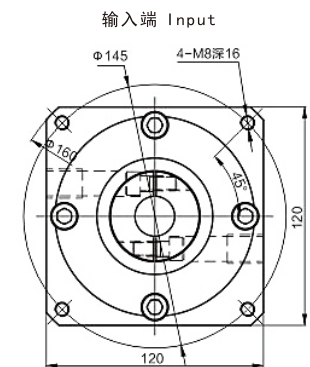
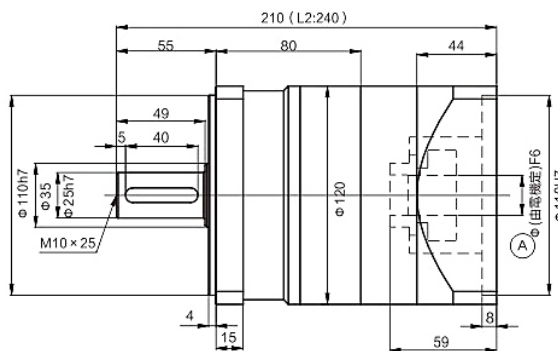
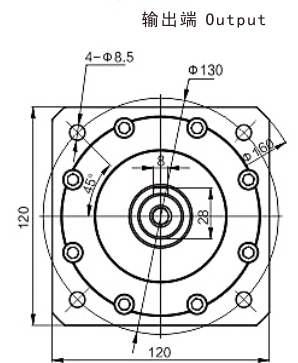
JFKF-60-L1 (L2)



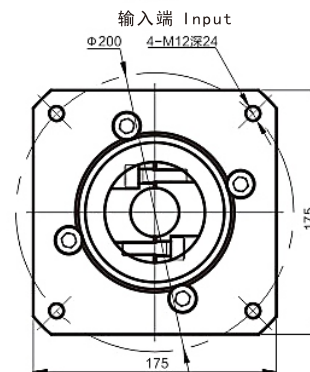
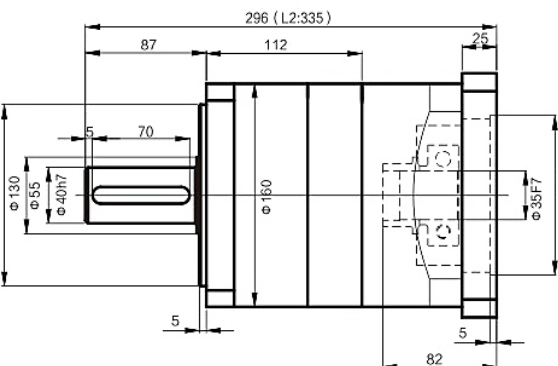
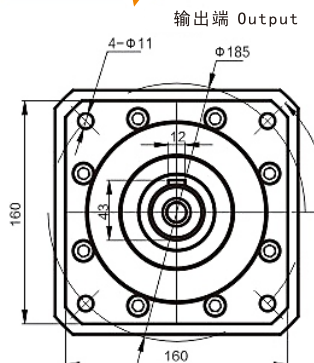
JFKF-90-L1 (L2)



JFKF-120-L1 (L2)



JFKF-160-L1 (L2)

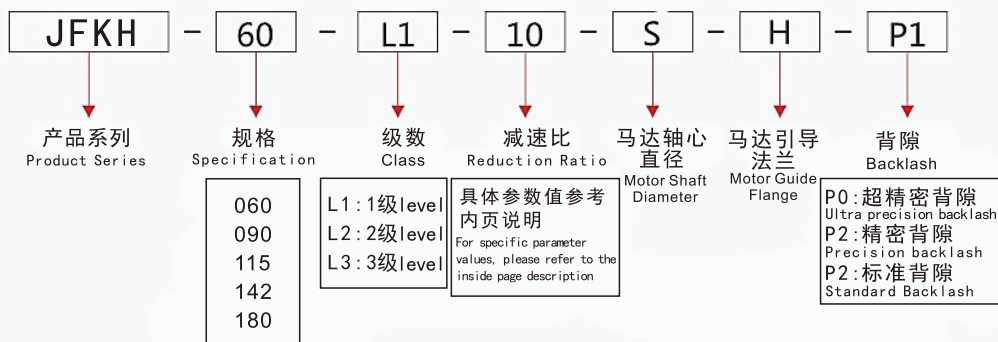


* 以上技术参数仅供参考，实际根据客户提供的数据，会出具相应的技术参数及尺寸
The above technical parameters are for reference only. According to the data provided by the customer, the corresponding technical parameters and dimensions will be issued.

JFKH 高精密法兰行星减速机

High precision flange planetary reducer

型号识别 Model Identification



技术参数 Technical Parameter

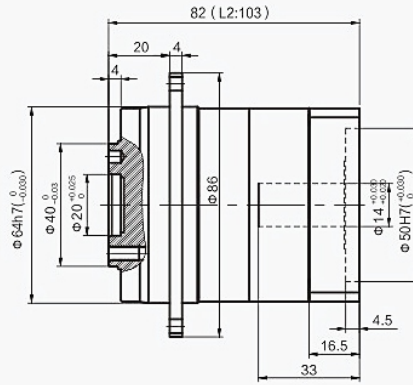
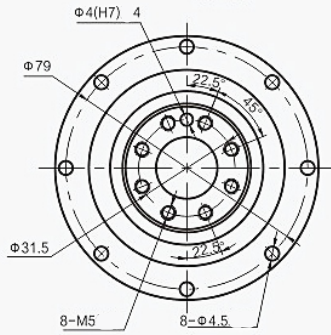
规格 Specification	单位 Unit	级数 Class	减速比 Reduction Ratio	JFKH-60	JFKH-90	JFKH-120	JFKH-160	
额定输出扭矩 T_{2N} Rated Output Torque	N. m	1	3	35	120	240	500	
			4	50	140	300	650	
			5	50	140	350	700	
			6	50	140	350	700	
			7	50	140	320	700	
			8	45	130	320	650	
			9	35	100	260	480	
			10	35	100	260	480	
			2	15	34	130	300	500
				20	50	142	350	650
		25		50	160	350	700	
		30		35	150	310	620	
		35		59	140	350	700	
		40		50	130	300	650	
		50		50	160	350	700	
		70		50	140	350	700	
		80	45	140	350	500		
		90	35	100	230	480		
100	35	100	230	480				
最大输出扭矩 T_{200} Max. Output Torque T_{200}	N. m	1, 2	3~1000	3倍额定输出力矩 Three Times the Rated Output Torque				
额定转速 n_{1N} Rated Rotation Speed n_{1N}	rpm	1, 2	3~1000	3000				
最大转速 $n_{1,Max}$ Max. Rotation Speed $n_{1,Max}$	rpm	1, 2	3~1000	6000	5000	5000	5000	
高精密回程间隙 P1 High precision return clearance $p1$	arcmin	1, 2	3~10	≤8	≤8	≤8	≤8	
		1, 2	12~70	≤12	≤12	≤12	≤12	
扭转刚性 Torsional Rigidity	N. M/arcmin	1, 2	3~1000	4	10.5	19	22	
容许径向力 F_{2R} Allowable Radial Force F_{2R}	N	1, 2	3~1000	800	1600	2850	6800	
容许轴向力 F_{2A} Allowable Axial Force F_{2A}	N	1, 2	3~1000	630	980	2400	5950	
转动惯量 $J1$ Moment of Inertia $J1$	kg. cm ²	1, 2	3~1000	0.12	0.38	1.5	5	
工作效率 η Work Efficiency η	%	1, 2	3~10	≥95%				
		1, 2	12~70	≥92%				
使用寿命 L_h Serve Life L_h	h	1, 2	3~1000	≥20000				
使用温度 T Operation Temperature T	°C	1, 2	3~1000	-15°C~90°C				
噪音值 Noisy Value	Db	1, 2	3~1000	≤60	≤62	≤65	≤67	
润滑 Lubricating	Lub	1, 2	3~1000	合成润滑有油脂 Synthetic Lubricating Grease				
保护等级 Protection Level	P	1, 2	3~1000	65				
安装方向 Installation Direction	MP	1, 2	3~1000	任意方向 Any Direction				
重量 Weight	KG	1	3~10	1	2.75	6.8	19.6	
		2	12~70	1.3	3.4	9	25.3	

工业自动化技术解决方案专业供应商

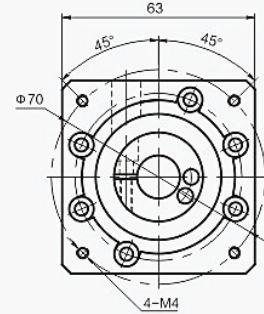
professional supplier of industrial automation technology solutions

JFKH-60-L1

输出端 Output

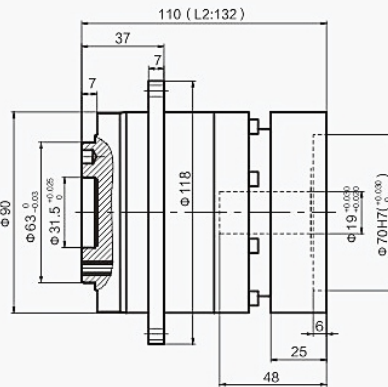
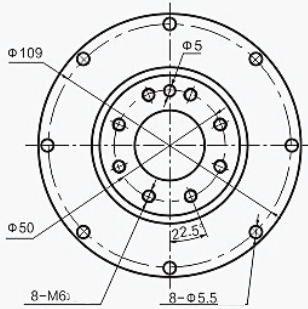


输入端 Input

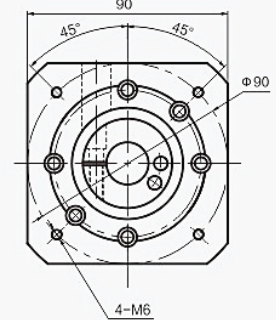


JFKH-90-L1

输出端 Output

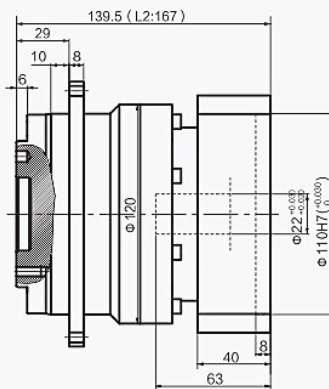
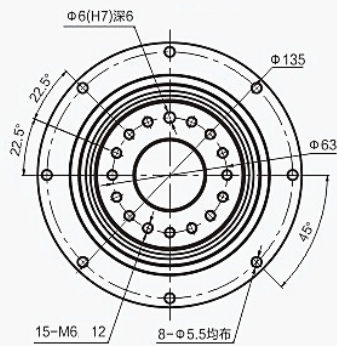


输入端 Input

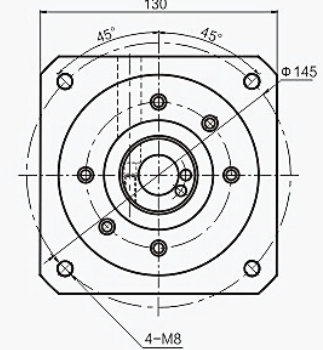


JFKH-120-L1

输出端 Output

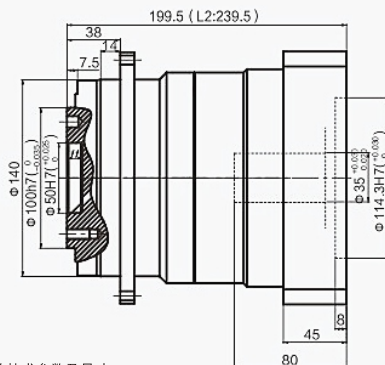
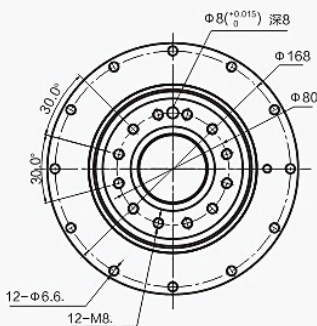


输入端 Input

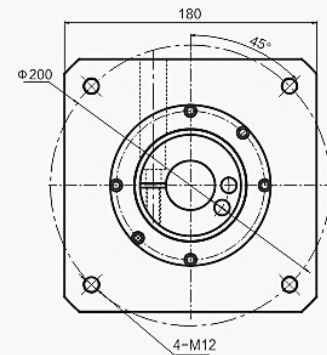


JFKH-160-L1

输出端 Output



输入端 Input



* 以上技术参数仅供参考，实际根据客户提供的数据，会出具相应的技术参数及尺寸
The above technical parameters are for reference only. According to the data provided by the customer, the corresponding technical parameters and dimensions will be issued.

Actuator/Linear Guide Rail/Goniometer Stage/
Motorized Stage/Dovetail Stage/Manual Stage/Hollow Rotary Stage



DONGGUAN C&K MECHATRONIX CO., LTD.
ADDRESS: Qiao Xin West Road, The 2nd Cross,
Qiao Tou, Dongguan, China
TEL: 0769-87000969-815
FAX: 0769-87000929
WEB: <http://www.dgchengkun.com/>