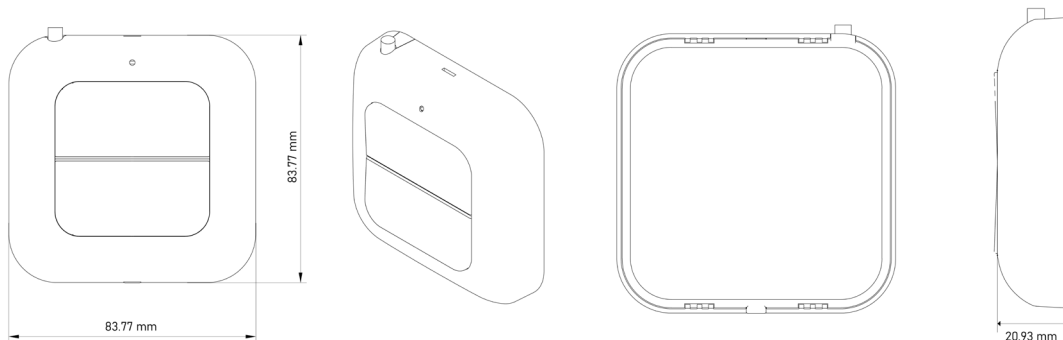


ASG-KA1531

Dimming/ Standard Non-Fixed Switch

SPECIFICATION.

Symbolz	Parameter	Condition	Min	Type	Max	Unit
Vin	Input voltage range	23A12V battery	3	12	12	VAC
Pi	Input power range			0.012		W
λ	Temperature of working environment	Working environment temperature is -15°C ~ +50°C	-15		50	°C
TA	Start time			≤ 2		mS
Ton	Quiescent current	Hibernation	0.015	0.012	0.01	uA
IRC	Working current		0.015	0.08	0.01	mA
IRC	Radiated power		15	25	30	mW
Radiation	Launch distance	Receiver sensitivity 108dB open straight line distance	30	50	200	m
Distance	Launch rate			10		KB/S
Rate	RF deviation	Narrowband emission		(+/-7.5)		KHZ
Frequency offset	Working Frequency		433.82	433.92	434.02	MHZ
Fc	Modulation mode GASK					
Modulation	Number of keys			2		key



Accessories

RELATIVE STANDARDS.

Safety Standards	IEC 61347-2-13:2006 IEC 61347-1:2007+A1:2010+A2:2012 EN 61347-2-13:2006 EN 61347-1:2008+A1:2011+A2:2013 EN 62493:2010
EMI/EMC Standards	IEC 61547:2009+IS1:2013 EC 61000-3-2:2006+A1:2008+A2:2009 EN 55015:2006+A1:2007+A2:2009 EN 61547:2009 EN 61000-3-2:2006+A1:2009+A2:2009 EN 61000-3-3:2008 IEC 61000-3-3:2008 CISPR 15:2011

The Easiest Way To Change
The Switch Position



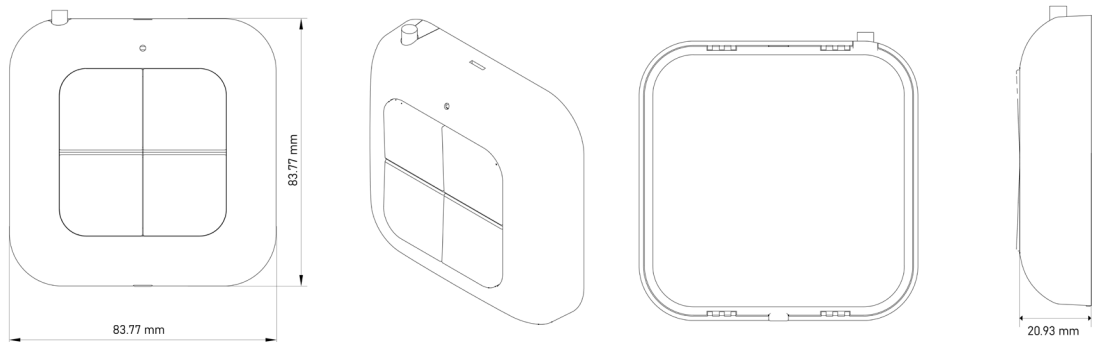
Have you ever wanted to redecorate but gave up because could not change the switch position at will?
Non-fixed switch let you put the switch in any position without worry about piping construction.

ASG-KA1532

Dimming/ Standard Non-Fixed Switch

SPECIFICATION.

Symbolz	Parameter	Condition	Min	Type	Max	Unit
Vin	Input voltage range	23A12V battery	3	12	12	VAC
Pi	Input power range			0.012		W
λ	Temperature of working environment	Working environment temperature is -15°C ~ +50°C	-15		50	°C
TA	Start time			≤ 2		mS
Ton	Quiescent current	Hibernation	0.015	0.012	0.01	uA
IRC	Working current		0.015	0.08	0.01	mA
IRC	Radiated power		15	25	30	mW
Radiation	Launch distance	Receiver sensitivity 108dB open straight line distance	30	50	200	m
Distance	Launch rate			10		KB/S
Rate	RF deviation	Narrowband emission		(+/-7.5)		KHZ
Frequency offset	Working Frequency		433.82	433.92	434.02	MHZ
Fc	Modulation mode GASK					
Modulation	Number of keys			4		key



RELATIVE STANDARDS.

Safety Standards	IEC 61347-2-13:2006 IEC 61347-1:2007+A1:2010+A2:2012 EN 61347-2-13:2006 EN 61347-1:2008+A1:2011+A2:2013 EN 62493:2010
EMI/EMC Standards	IEC 61547:2009+IS1:2013 EC 61000-3-2:2006+A1:2008+A2:2009 EN 55015:2006+A1:2007+A2:2009 EN 61547:2009 EN 61000-3-2:2006+A1:2009+A2:2009 EN 61000-3-3:2008 IEC 61000-3-3:2008 CISPR 15:2011



Just That Simple

Night, lying in a warm bed and reaching for the remote controller beside. Turn off the lights by one click and then sleep well. Achieve such a pleasant life just by replacing the old switch panel.