

# ASG-DN5112-A

Single Standard Series 12W | 350mA 25-36V DC

## SPECIFICATION.

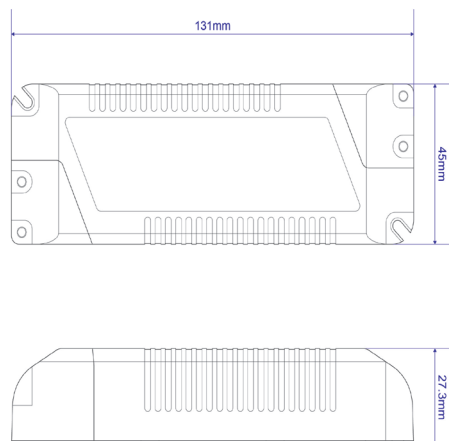
| Symbol  | Parameter                          | Condition  | Min    | Type    | Max    | Unit |
|---------|------------------------------------|--|--------|---------|--------|------|
| Vin     | Input Voltage Range                | 50/60 HZ   | 100    | 110/220 | 240    | VAC  |
| Pi      | Input Power Range                  |  |        | 13.7    |        | W    |
| Vo      | Output Voltage Range               | LED1W 9-12 series  | 25     | 36      | 40     | VDC  |
| Io      | Output Current                     |  |        | 350     |        | mA   |
| Po      | Output Power                       |  |        | 12      |        | W    |
| PF      | Power Factor                       | Vi=110/220VAC  |        | ≥ 0.9   |        |      |
| Vis     | Isolation Pressure Resistance      | Input to output, the environmental humidity is less than 99%, unsaturated. | 3.75   |         |        | KV   |
| Δi      | Constant Current Accuracy          | Working environment temperature is -15°C ~ +50°C                           | -5     |         | 5      | %    |
| λ       | Output Efficiency                  |  |        | 87      |        | %    |
| TA      | Temperature of Working Environment |  | -15    |         | 50     | °C   |
| Voc     | Open-circuit Voltage               | No-Load  |        | ≤ 35    |        |      |
| Ton     | Start Time                         |  |        | ≤ 2     |        | mS   |
| Receive | Reception Sensitivity              | 50 ohm antenna direct input/1K Kbps  | -109   | -110    | -111   | dB   |
| Fc      | Working Frequency                  |  | 433.82 | 433.92  | 434.02 | MHZ  |
|         | Modulation mode GASK               |  |        |         |        |      |

## LIMIT PARAMETER.

| Symbol | Parameter                          | Min | Type    | Max | Unit |
|--------|------------------------------------|-----|---------|-----|------|
| Vin    | Input Voltage Range                | 100 | 110/220 | 240 | VAC  |
| Vo     | Output Voltage Range               | 25  | 36      | 40  | VDC  |
| λ      | Input Power                        |     | 13.7    |     | W    |
| TA     | Temperature of Working Environment | -20 |         | 55  | °C   |

## RELATIVE STANDARDS.

|                   |   |
|-------------------|---|
| Safety Standards  | IEC 61347-2-13:2006<br>IEC 61347-1:2007+A1:2010+A2:2012<br>EN 61347-2-13:2006<br>EN 61347-1:2008+A1:2011+A2:2013<br>EN 62493:2010   |
| EMI/EMC Standards | IEC 61547:2009+IS1:2013<br>EC 61000-3-2:2006+A1:2008+A2:2009<br>EN 55015:2006+A1:2007+A2:2009<br>EN 61547:2009<br>EN 61000-3-2:2006+A1:2009+A2:2009<br>EN 61000-3-3:2008<br>IEC 61000-3-3:2008<br>CISPR 15:2011 |



# ASG-DN5112-B

Single Standard Series 12W | 550mA 15-24V DC

## SPECIFICATION.

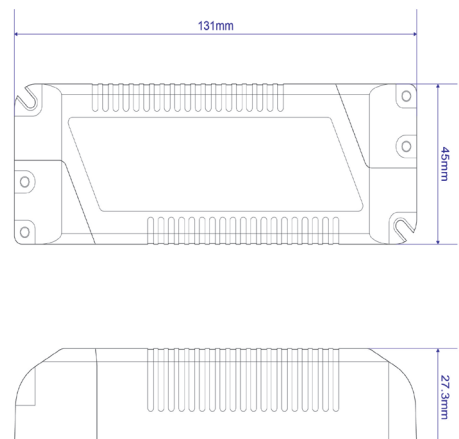
| Symbol  | Parameter                          | Condition  | Min    | Type    | Max    | Unit |
|---------|------------------------------------|--|--------|---------|--------|------|
| Vin     | Input Voltage Range                | 50/60 HZ   | 100    | 110/220 | 240    | VAC  |
| Pi      | Input Power Range                  |  |        | 13.7    |        | W    |
| Vo      | Output Voltage Range               | LED2W 5-8 series   | 15     | 24      | 27     | VDC  |
| Io      | Output Current                     |  |        | 550     |        | mA   |
| Po      | Output Power                       |  |        | 12      |        | W    |
| PF      | Power Factor                       | Vi=110/220VAC  |        | ≥ 0.9   |        |      |
| Vis     | Isolation Pressure Resistance      | Input to output, the environmental humidity is less than 99%, unsaturated. | 3.75   |         |        | KV   |
| Δi      | Constant Current Accuracy          | Working environment temperature is -15°C ~ +50°C                           | -5     |         | 5      | %    |
| λ       | Output Efficiency                  |  |        | 86      |        | %    |
| TA      | Temperature of Working Environment |  | -15    |         | 50     | °C   |
| Voc     | Open-circuit Voltage               | No-Load  |        | ≤ 35    |        |      |
| Ton     | Start Time                         |  |        | ≤ 2     |        | mS   |
| Receive | Reception Sensitivity              | 50 ohm antenna direct input/1K Kbps  | -109   | -110    | -111   | dB   |
| Fc      | Working Frequency                  |  | 433.82 | 433.92  | 434.02 | MHZ  |
|         | Modulation mode GASK               |  |        |         |        |      |

## LIMIT PARAMETER.

| Symbol | Parameter                          | Min | Type    | Max | Unit |
|--------|------------------------------------|-----|---------|-----|------|
| Vin    | Input Voltage Range                | 100 | 110/220 | 240 | VAC  |
| Vo     | Output Voltage Range               | 15  | 24      | 27  | VDC  |
| λ      | Input Power                        |     | 13.7    |     | W    |
| TA     | Temperature of Working Environment | -20 |         | 55  | °C   |

## RELATIVE STANDARDS.

|                   |   |
|-------------------|---|
| Safety Standards  | IEC 61347-2-13:2006<br>IEC 61347-1:2007+A1:2010+A2:2012<br>EN 61347-2-13:2006<br>EN 61347-1:2008+A1:2011+A2:2013<br>EN 62493:2010   |
| EMI/EMC Standards | IEC 61547:2009+IS1:2013<br>EC 61000-3-2:2006+A1:2008+A2:2009<br>EN 55015:2006+A1:2007+A2:2009<br>EN 61547:2009<br>EN 61000-3-2:2006+A1:2009+A2:2009<br>EN 61000-3-3:2008<br>IEC 61000-3-3:2008<br>CISPR 15:2011 |



# ASG-DN5112-C

Single Standard Series 12W | 700mA 9-18V DC

## SPECIFICATION.

| Symbol  | Parameter                          | Condition  | Min    | Type    | Max    | Unit |
|---------|------------------------------------|--|--------|---------|--------|------|
| Vin     | Input Voltage Range                | 50/60 HZ   | 100    | 110/220 | 240    | VAC  |
| Pi      | Input Power Range                  |  |        | 13.7    |        | W    |
| Vo      | Output Voltage Range               | LED3W 3-6 series   | 9      | 18      | 21     | VDC  |
| Io      | Output Current                     |  |        | 700     |        | mA   |
| Po      | Output Power                       |  |        | 12      |        | W    |
| PF      | Power Factor                       | Vi=110/220VAC  |        | ≥ 0.9   |        |      |
| Vis     | Isolation Pressure Resistance      | Input to output, the environmental humidity is less than 99%, unsaturated. | 3.75   |         |        | KV   |
| Δi      | Constant Current Accuracy          | Working environment temperature is -15°C ~ +50°C                           | -5     |         | 5      | %    |
| λ       | Output Efficiency                  |  |        | 85      |        | %    |
| TA      | Temperature of Working Environment |  | -15    |         | 50     | °C   |
| Voc     | Open-circuit Voltage               | No-Load  |        | ≤ 35    |        |      |
| Ton     | Start Time                         |  |        | ≤ 2     |        | mS   |
| Receive | Reception Sensitivity              | 50 ohm antenna direct input/1K Kbps  | -109   | -110    | -111   | dB   |
| Fc      | Working Frequency                  |  | 433.82 | 433.92  | 434.02 | MHZ  |
|         | Modulation mode GASK               |  |        |         |        |      |

## LIMIT PARAMETER.

| Symbol | Parameter                          | Min | Type    | Max | Unit |
|--------|------------------------------------|-----|---------|-----|------|
| Vin    | Input Voltage Range                | 100 | 110/220 | 240 | VAC  |
| Vo     | Output Voltage Range               | 9   | 18      | 21  | VDC  |
| λ      | Input Power                        |     | 13.7    |     | W    |
| TA     | Temperature of Working Environment | -20 |         | 55  | °C   |

## RELATIVE STANDARDS.

|                   |   |
|-------------------|---|
| Safety Standards  | IEC 61347-2-13:2006<br>IEC 61347-1:2007+A1:2010+A2:2012<br>EN 61347-2-13:2006<br>EN 61347-1:2008+A1:2011+A2:2013<br>EN 62493:2010   |
| EMI/EMC Standards | IEC 61547:2009+IS1:2013<br>EC 61000-3-2:2006+A1:2008+A2:2009<br>EN 55015:2006+A1:2007+A2:2009<br>EN 61547:2009<br>EN 61000-3-2:2006+A1:2009+A2:2009<br>EN 61000-3-3:2008<br>IEC 61000-3-3:2008<br>CISPR 15:2011 |

