

ASG-DI5115-A

Single Dimming Series 15W | 350mA 35-45V DC

SPECIFICATION.

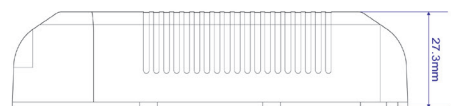
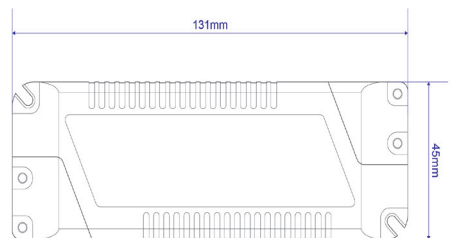
| Symbol | Parameter | Condition | Min | Type | Max | Unit |
|-----------------|------------------------------------|--|--------|---------|--------|------|
| V _{in} | Input Voltage Range | 50/60 HZ | 100 | 110/220 | 240 | VAC |
| P _i | Input Power Range | | | 17.1 | | W |
| V _o | Output Voltage Range | LED1W 12-15 series | 35 | 45 | 47 | VDC |
| I _o | Output Current | | | 350 | | mA |
| P _o | Output Power | | | 15 | | W |
| PF | Power Factor | V _i =110/220VAC | | ≥ 0.9 | | |
| V _{is} | Isolation Pressure Resistance | Input to output, the environmental humidity is less than 99%, unsaturated. | 3.75 | | | KV |
| Δi | Constant Current Accuracy | Working environment temperature is -15°C~ +50°C | -5 | | 5 | % |
| λ | Output Efficiency | | | 87 | | % |
| T _A | Temperature of Working Environment | | -15 | | 50 | °C |
| V _{oc} | Open-circuit Voltage | No-Load | | ≤ 35 | | |
| T _{on} | Start Time | | | ≤ 2 | | mS |
| Dimming | Dimming Way | PWM 0-100% smooth and no jitter | 0-100 | 3-100 | 6-100 | % |
| Receive | Reception Sensitivity | 50 ohm antenna direct input/1K Kbps | -109 | -110 | -111 | dB |
| F _c | Working Frequency | | 433.82 | 433.92 | 434.02 | MHZ |
| | Modulation mode GASK | | | | | |

LIMIT PARAMETER.

| Symbol | Parameter | Min | Type | Max | Unit |
|-----------------|------------------------------------|-----|---------|-----|------|
| V _{in} | Input Voltage Range | 100 | 110/220 | 240 | VAC |
| V _o | Output Voltage Range | 35 | 45 | 47 | VDC |
| λ | Input Power | | 17.1 | | W |
| T _A | Temperature of Working Environment | -20 | | 55 | °C |

RELATIVE STANDARDS.

| | |
|-------------------|---|
| Safety Standards | IEC 61347-2-13:2006 IEC 61347-1:2007+A1:2010+A2:2012 EN 61347-2-13:2006 EN 61347-1:2008+A1:2011+A2:2013 EN 62493:2010 |
| EMI/EMC Standards | IEC 61547:2009+IS1:2013 EC 61000-3-2:2006+A1:2008+A2:2009 EN 55015:2006+A1:2007+A2:2009 EN 61547:2009 EN 61000-3-2:2006+A1:2009+A2:2009 EN 61000-3-3:2008 IEC 61000-3-3:2008 CISPR 15:2011 |



ASG-DI5115-B

Single Dimming Series 15W | 550mA 18-28V DC

SPECIFICATION.

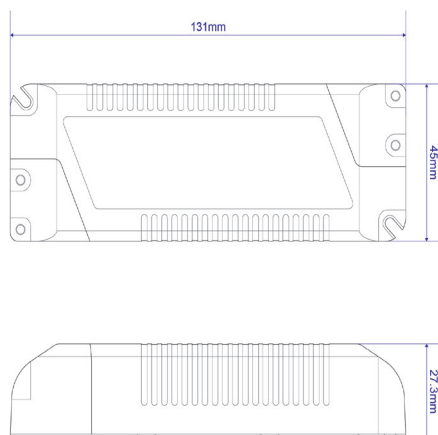
| Symbol | Parameter | Condition | Min | Type | Max | Unit |
|-----------------|------------------------------------|--|--------|---------|--------|------|
| V _{in} | Input Voltage Range | 50/60 HZ | 100 | 110/220 | 240 | VAC |
| P _i | Input Power Range | | | 17.1 | | W |
| V _o | Output Voltage Range | LED2W 6-9 series | 18 | 28 | 31 | VDC |
| I _o | Output Current | | | 550 | | mA |
| P _o | Output Power | | | 15 | | W |
| PF | Power Factor | V _i =110/220VAC | | ≥ 0.9 | | |
| V _{is} | Isolation Pressure Resistance | Input to output, the environmental humidity is less than 99%, unsaturated. | 3.75 | | | KV |
| Δi | Constant Current Accuracy | Working environment temperature is -15°C~ +50°C | -5 | | 5 | % |
| λ | Output Efficiency | | | 85 | | % |
| T _A | Temperature of Working Environment | | -15 | | 50 | °C |
| V _{oc} | Open-circuit Voltage | No-Load | | ≤ 35 | | |
| T _{on} | Start Time | | | ≤ 2 | | mS |
| Dimming | Dimming Way | PWM 0-100% smooth and no jitter | 0-100 | 3-100 | 6-100 | % |
| Receive | Reception Sensitivity | 50 ohm antenna direct input/1K Kbps | -109 | -110 | -111 | dB |
| F _c | Working Frequency | | 433.82 | 433.92 | 434.02 | MHZ |
| | Modulation mode GASK | | | | | |

LIMIT PARAMETER.

| Symbol | Parameter | Min | Type | Max | Unit |
|-----------------|------------------------------------|-----|---------|-----|------|
| V _{in} | Input Voltage Range | 100 | 110/220 | 240 | VAC |
| V _o | Output Voltage Range | 18 | 28 | 31 | VDC |
| λ | Input Power | | 17.1 | | W |
| T _A | Temperature of Working Environment | -20 | | 55 | °C |

RELATIVE STANDARDS.

| | |
|-------------------|---|
| Safety Standards | IEC 61347-2-13:2006 IEC 61347-1:2007+A1:2010+A2:2012 EN 61347-2-13:2006 EN 61347-1:2008+A1:2011+A2:2013 EN 62493:2010 |
| EMI/EMC Standards | IEC 61547:2009+IS1:2013 EC 61000-3-2:2006+A1:2008+A2:2009 EN 55015:2006+A1:2007+A2:2009 EN 61547:2009 EN 61000-3-2:2006+A1:2009+A2:2009 EN 61000-3-3:2008 IEC 61000-3-3:2008 CISPR 15:2011 |



ASG-DI5115-C

Single Dimming Series 15W | 700mA 12-22V DC

SPECIFICATION.

| Symbol | Parameter | Condition | Min | Type | Max | Unit |
|-----------------|------------------------------------|--|--------|---------|--------|------|
| V _{in} | Input Voltage Range | 50/60 HZ | 100 | 110/220 | 240 | VAC |
| P _i | Input Power Range | | | 17.1 | | W |
| V _o | Output Voltage Range | LED3W 4-7 series | 12 | 22 | 25 | VDC |
| I _o | Output Current | | | 700 | | mA |
| P _o | Output Power | | | 15 | | W |
| PF | Power Factor | V _i =110/220VAC | | ≥ 0.9 | | |
| V _{is} | Isolation Pressure Resistance | Input to output, the environmental humidity is less than 99%, unsaturated. | 3.75 | | | KV |
| Δi | Constant Current Accuracy | Working environment temperature is -15°C~ +50°C | -5 | | 5 | % |
| λ | Output Efficiency | | | 85 | | % |
| T _A | Temperature of Working Environment | | -15 | | 50 | °C |
| V _{oc} | Open-circuit Voltage | No-Load | | ≤ 35 | | |
| T _{on} | Start Time | | | ≤ 2 | | mS |
| Dimming | Dimming Way | PWM 0-100% smooth and no jitter | 0-100 | 3-100 | 6-100 | % |
| Receive | Reception Sensitivity | 50 ohm antenna direct input/1K Kbps | -109 | -110 | -111 | dB |
| F _c | Working Frequency | | 433.82 | 433.92 | 434.02 | MHZ |
| | Modulation mode GASK | | | | | |

LIMIT PARAMETER.

| Symbol | Parameter | Min | Type | Max | Unit |
|-----------------|------------------------------------|-----|---------|-----|------|
| V _{in} | Input Voltage Range | 100 | 110/220 | 240 | VAC |
| V _o | Output Voltage Range | 12 | 22 | 25 | VDC |
| λ | Input Power | | 17.1 | | W |
| T _A | Temperature of Working Environment | -20 | | 55 | °C |

RELATIVE STANDARDS.

| | |
|-------------------|---|
| Safety Standards | IEC 61347-2-13:2006 IEC 61347-1:2007+A1:2010+A2:2012 EN 61347-2-13:2006 EN 61347-1:2008+A1:2011+A2:2013 EN 62493:2010 |
| EMI/EMC Standards | IEC 61547:2009+IS1:2013 EC 61000-3-2:2006+A1:2008+A2:2009 EN 55015:2006+A1:2007+A2:2009 EN 61547:2009 EN 61000-3-2:2006+A1:2009+A2:2009 EN 61000-3-3:2008 IEC 61000-3-3:2008 CISPR 15:2011 |

