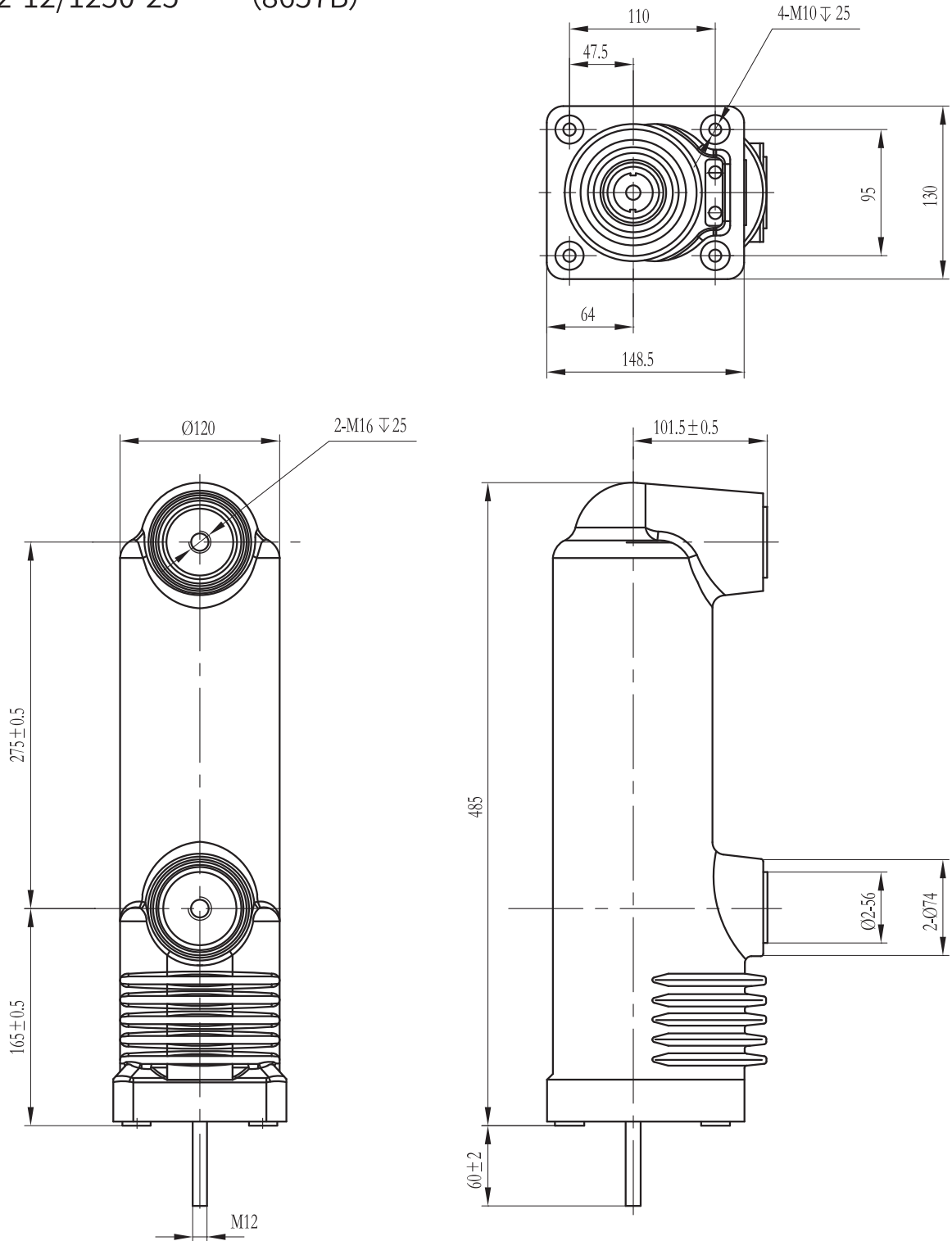


外形尺寸 DRAWING AND DIMENSIONS

XEP2-12/1250-31.5 (8656E)
XEP2-12/1250-25 (8657B)



主要技术参数 MAIN TECHNICAL SPECIFICATION		
电压参数 VOLTAGE RATINGS AT RATED CONTACT STROKE		
额定频率 Rated Frequency	Hz	50/60
额定电压 Rated Voltage	kV	12
额定短时(1min)工频耐受电压 Rated Short-time(1min) Power-frequency Withstand Voltage	kV	48
额定雷电冲击耐受电压(峰值) Rated Lightning Impulse Withstand Voltage(Peak)	kV	95
局部放电量 Part Discharge	pC	≤5
电流参数 CURRENT RATINGS		
额定电流 Rated Current	A	1250
额定短路开断电流 Rated Short-circuit Breaking Current	kA	31.5/25
额定短时耐受电流 Rated Short-time Withstand Current	kA	31.5/25
额定短路持续时间 Rated Duration of Short-circuit	s	4
额定峰值耐受电流 Rated Peak Withstand Current	kA	80/63
额定短路关合电流 Rated Short-circuit Making Current	kA	80/63
额定短路开断电流开断次数 Breaking Operations of Rated Short-circuit Breaking Current	次 Times	30
额定单个电容器组开断电流 Rated Breaking Current of Single Capacitor Bank	A	400☆
额定背对背电容器组开断电流 Rated Breaking Current of Back-to-back Capacitor Bank	A	400☆
额定触头压力下限时的回路电阻 Circuit Resistance at Lowest Rated Contact Force	μΩ	≤25
额定操作顺序 Rated Operating Sequency		0-0.3s-CO-180s-CO
机械参数 MECHANICAL DATA		
触头自闭力 Closing Force due to Bellow and Atmosphere	N	200±50
额定开距下的触头反力 Force Required to Hold Contacts Open at Full Stroke	N	300±50
运动部分的质量 Weight of Moving Parts	kg	2.8/2.2
配套的真空开关设备应满足的机械参数 MECHANICAL REQUIRMENTS		
触头开距 Clearance Between Open Contacts	mm	9±1
平均分闸速度 Average Opening Speed	m/s	1.05±0.15
平均合闸速度 Average Closing Speed	m/s	0.7±0.2
额定触头压力 Rated Added External Contact Final Force	N	3200±200/2500±200
触头合闸弹跳时间 Contact Bouncing at Closing Operation	ms	≤3
触头合闸和分闸不同期 Closing and Opening Non-simultaneity of Three-phase Contacts	ms	≤2
分闸触头反弹幅值 Maximum Rebound During Opening	mm	≤2
寿命 LIFE		
机械寿命 Mechanical Endurance	次 Times	20000
触头允许磨损厚度 Contacts Limit Erosion	mm	3
允许储存期 Shelf Life	年 years	20
内部气体压力 Internal Gas Pressure	Pa	<1.33×10 ³
备注: ☆为需要时提供的额定参数。 Notes: ☆Rated characteristics to be given on request.		