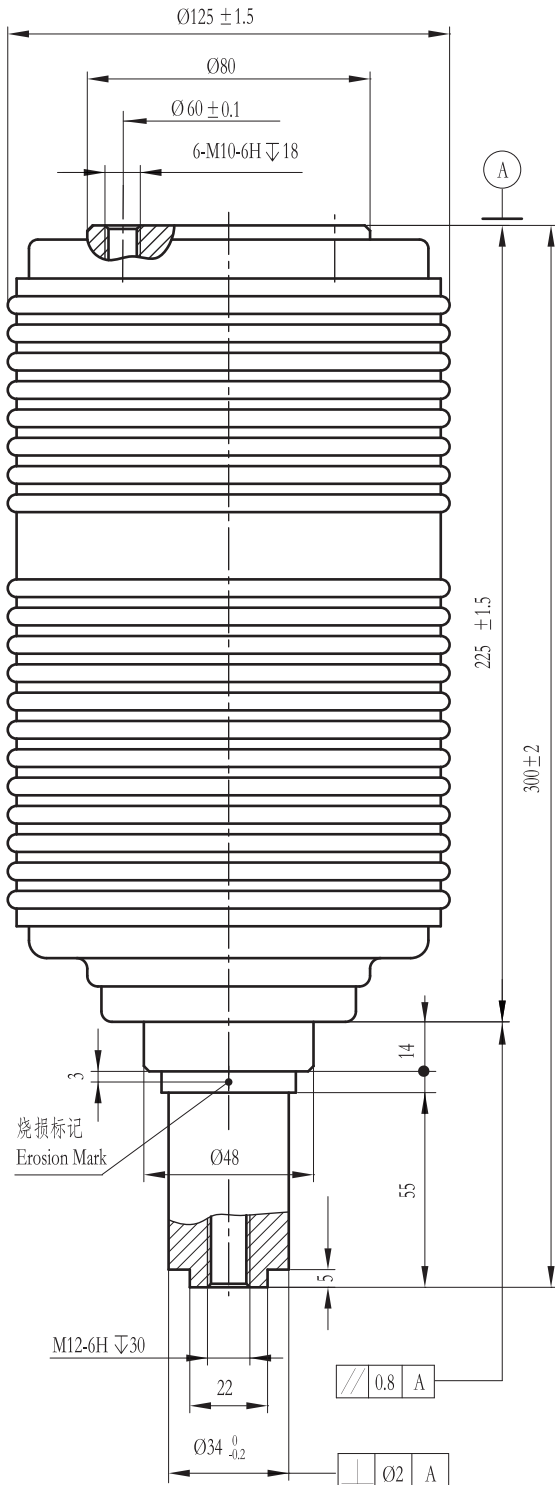


TD-12/3150-40 (1068A)
TD-12/2500-40 (1068)



主要技术参数 MAIN TECHNICAL SPECIFICATION

| 电压参数 VOLTAGE RATINGS AT RATED CONTACT STROKE | | |
|--|------------|------------------------|
| 额定频率 Rated Frequency | Hz | 50/60 |
| 额定电压 Rated Voltage | kV | 12 |
| 额定短时(1min)工频耐受电压 Rated Short-time(1min) Power-frequency Withstand Voltage | kV | 42 |
| 额定雷电冲击耐受电压(峰值) Rated Lightning Impulse Withstand Voltage(Peak) | kV | 75 |
| 电流参数 CURRENT RATINGS | | |
| 额定电流 Rated Current | A | 3150/2500 |
| 额定短路开断电流 Rated Short-circuit Breaking Current | kA | 40 |
| 额定短时耐受电流 Rated Short-time Withstand Current | kA | 40 |
| 额定短路持续时间 Rated Duration of Short-circuit | s | 4 |
| 额定峰值耐受电流 Rated Peak Withstand Current | kA | 100 |
| 额定短路关合电流 Rated Short-circuit Making Current | kA | 100 |
| 额定短路开断电流开断次数 Breaking Operations of Rated Short-circuit Breaking Current | 次 Times | 30 |
| 额定电缆充电开断电流 Rated Cable-charging Breaking Current | A | 25 |
| 额定单个电容器组开断电流 Rated Breaking Current of Single Capacitor Bank | A | 400/630☆ |
| 额定背对背电容器组开断电流 Rated Breaking Current of Back-to-back Capacitor Bank | A | 400☆ |
| 额定触头压力下限时的回路电阻 Circuit Resistance at Lowest Rated Contact Force | μΩ | ≤15 |
| 额定操作顺序 Rated Operating Sequency | | 0-0.3s-CO-180s-CO |
| 机械参数 MECHANICAL DATA | | |
| 触头自闭力 Closing Force due to Bellow and Atmosphere | N | 250±50 |
| 额定开距下的触头反力 Force Required to Hold Contacts Open at Full Stroke | N | 330±60 |
| 运动部分的质量 Weight of Moving Parts | kg | 3.2 |
| 配套的真空开关设备应满足的机械参数 MECHANICAL REQUIRMENTS | | |
| 触头开距 Clearance Between Open Contacts | mm | 11±1 |
| 平均分闸速度 Average Opening Speed | m/s | 1.1±0.2 |
| 平均合闸速度 Average Closing Speed | m/s | 0.6±0.2 |
| 额定触头压力 Rated Added External Contact Final Force | N | 4500±200 |
| 触头合闸弹跳时间 Contact Bouncing at Closing Operation | ms | ≤2 |
| 触头合闸和分闸不同期 Closing and Opening Non-simultaneity of Three-phase Contacts | ms | ≤1 |
| 分闸触头反弹幅值 Maximum Rebound During Opening | mm | ≤2 |
| 寿命 LIFE | | |
| 机械寿命 Mechanical Endurance | 次 Times | 10000 |
| 触头允许磨损厚度 Contacts Limit Erosion | mm | 3 |
| 允许储存期 Shelf Life | 年 years | 20 |
| 内部气体压力 Internal Gas Pressure | Pa | <1.33×10 ⁻³ |
| 备注: ☆为需要时提供的额定参数。 Notes: ☆Rated characteristics to be given on request. | | |