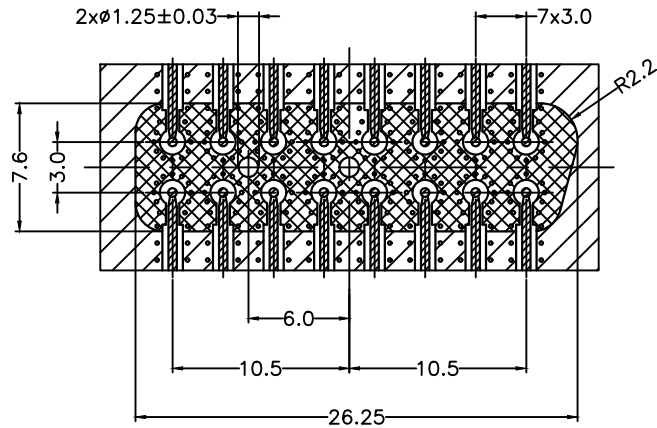
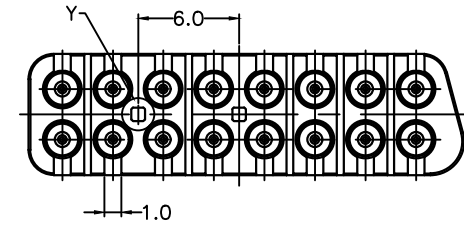
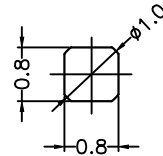


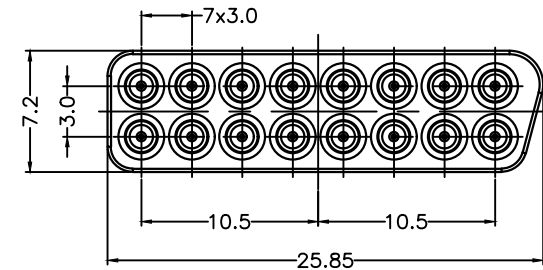
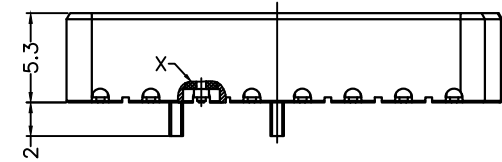
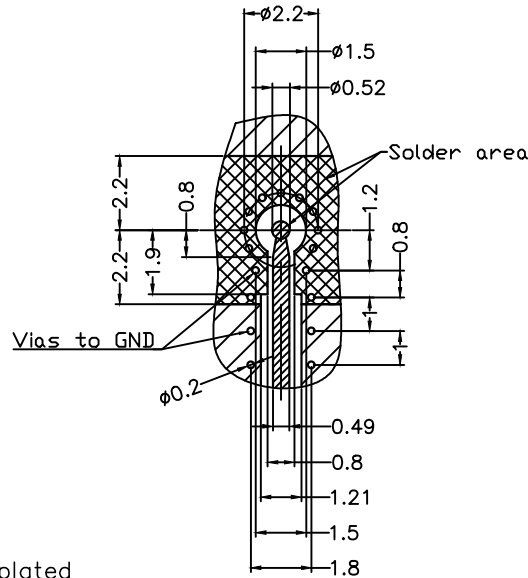
 Solder area



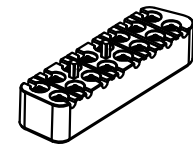
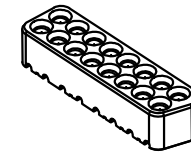
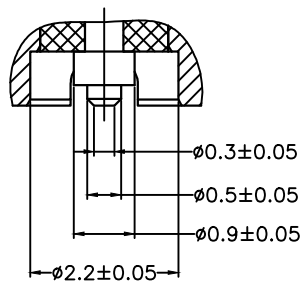
Y view




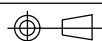
PCB Layout



X view



1. Material and Plating:
 - 1.1 body: brass / gold plated
 - 1.2 center conductor: beryllium copper / gold plated
 - 1.3 insulator: PEEK
2. Electrical characteristics:
 - 2.1 impedance: 50 Ω
 - 2.2 frequency range: DC to 40 GHz
 - 2.3 return loss: ≥ 20 dB
 - 2.4 work voltage: 500 Vrms
3. Mechanical properties:
 - 3.1 mechanical life: 500 cycles
 - 3.2 mating force(per single channel): ≤ 3.5 N max.
 - 3.3 demating force(per single channel): ≤ 3.5 N max.
4. working environment:
 - 4.1 working temperature: -55°C to +125°C

Dimension: MM	Series: ---	Cable: N/A	 D.P.F technology CO., LTD 德普福电子科技有限公司
General tolerance Unless Otherwise Specified	Product Spec.:	Assembly Instr.:	
0 Places: ±0.1	Drawn: Li Xu	25-02-2020	Multi Channel For PCB, 2 X 8
1 Places: ±0.05	Checked: Peter Guo	25-02-2020	
2 Places: ±0.02	Approved: David ma	25-02-2020	Part Number: RJRS-S16E-H4-N
Angles:	CUSTOMER DRAWING		Drawing Number: RJRS-S16E-H4-N
Weight: ---	This drawing is a controlled document		Rev.: A
Projection: 	Scale: N/A	Remark:	Page: 1/1