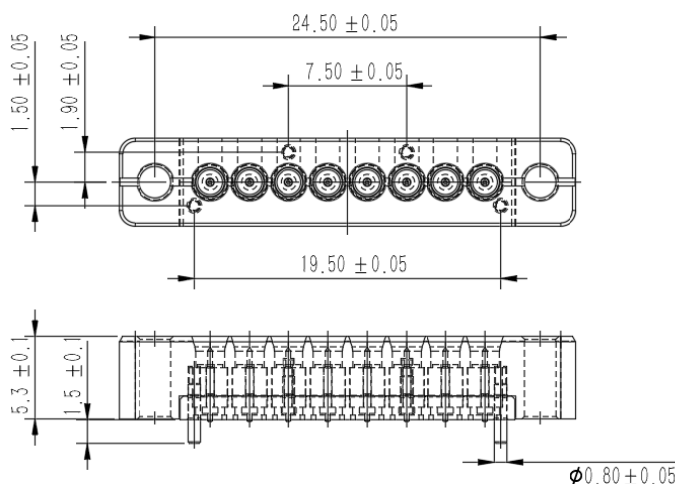
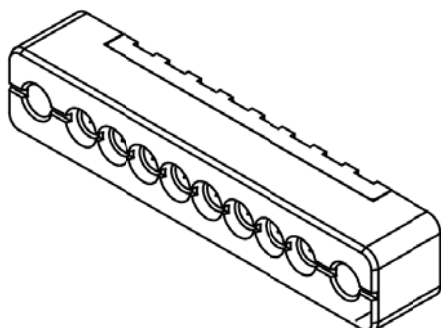


Multi-coaxial PCB Connector Datasheet



RJKL-S08E-M4-YC



Configuration

Connector Type	Z-SMP Male
Connector Body	Brass, Gold Plated
	Beryllium Copper, Gold Plated
Insulation	PEEK

Electrical Characteristics

Impedance	50Ω
Frequency Range	DC to 40GHz
Return Loss	≥20dB, DC to 40GHz
Dielectric Withstand Voltage	500 Vrms

Mechanical Characteristics

Mechanical Life	500 cycles
Mating Force (Per Single Channel)	≤3.5N Max.
Demating Force (Per Single Channel)	≤3.5N Max.

Environment Data

Working Temperature	-55°C ~ +125°C
---------------------	----------------

Order Information

Dloorpf P/N	Dloorpf Description
RJKL-S08E-M4-YC	Multi-coaxial 1X8 PCB Connector, Z-SMP Male, 40GHz, Brass