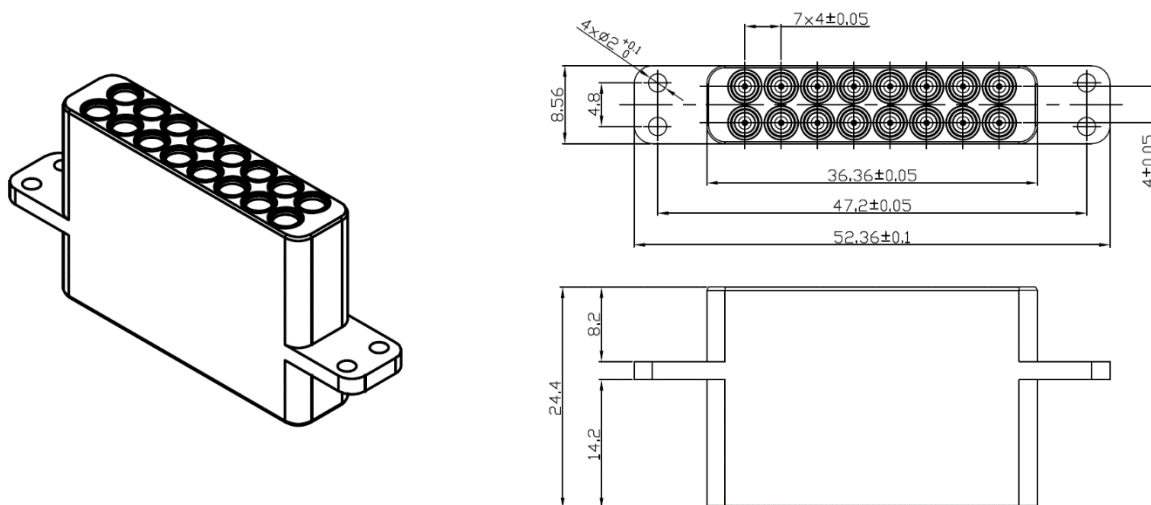


Multi-coaxial Adapter Datasheet



RJHS-S16E-H4-Z



Configuration

Connector 1 Type	GPPO Male
Connector 2 Type	GPPO Male
Connector Body	Brass, Gold Plated
Connector Conductor	Beryllium Copper, Gold Plated
Insulation	PTFE

Electrical Characteristics

Impedance	50Ω
Frequency Range	DC to 40GHz
Return Loss	≥ 20 dB, DC to 40GHz
Dielectric Withstand Voltage	500 Vrms

Mechanical Characteristics

Mechanical Life	500 cycles
Mating Force (Per Single Channel)	≤ 3.5N Max.
Demating Force (Per Single Channel)	≤ 3.5N Max.

Environment Data

Working Temperature	-55℃ ~ +125℃
---------------------	--------------

Order Information

Dloorplf P/N	Dloorplf Description
RJHS-S16E-H4-Z	Multi-coaxial Adapter, GPPO(M) to GPPO(M),40GHz, Brass