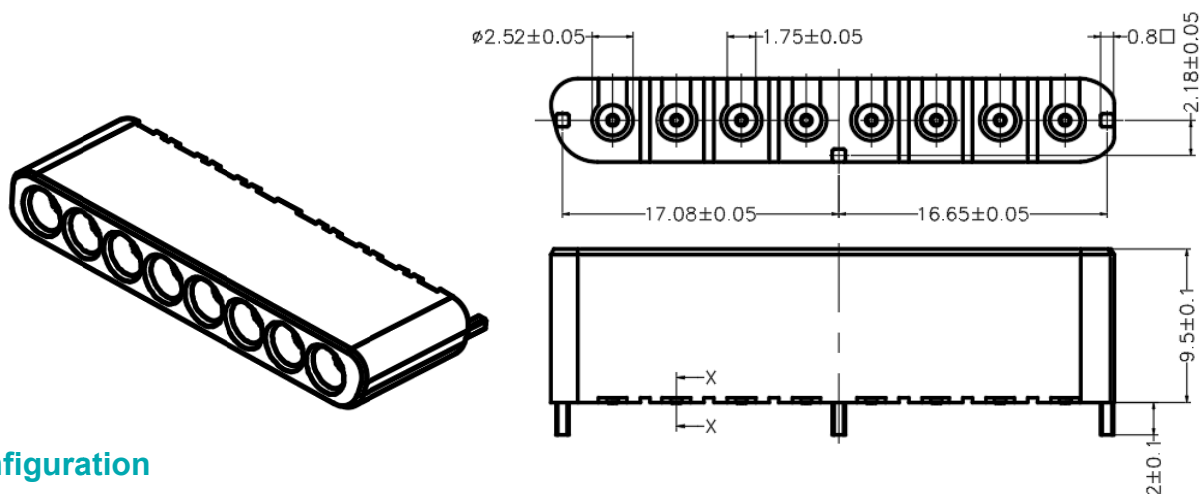


Multi-coaxial PCB Connector Datasheet



RJHS-S08E-M4-N



Configuration

Connector Type	GPPO Male
Connector Body	Brass, Gold Plated
Connector Conductor	Beryllium Copper, Gold Plated
Insulation	PEI

Electrical Characteristics

Impedance	50Ω
Frequency Range	DC to 40GHz
Return Loss	≥20dB, DC to 40GHz
Dielectric Withstand Voltage	500 Vrms

Mechanical Characteristics

Mechanical Life	500 cycles
Mating Force (Per Single Channel)	≤3.5N Max.
Demating Force (Per Single Channel)	≤3.5N Max.

Environment Data

Working Temperature	-55℃ ~ +125℃
---------------------	--------------

Order Information

Dloorplf P/N	Dloorplf Description
RJHS-S08E-M4-N	Multi-coaxial 1X8 PCB Connector, Pogo pin, GPPO Male, 40GHz, Brass