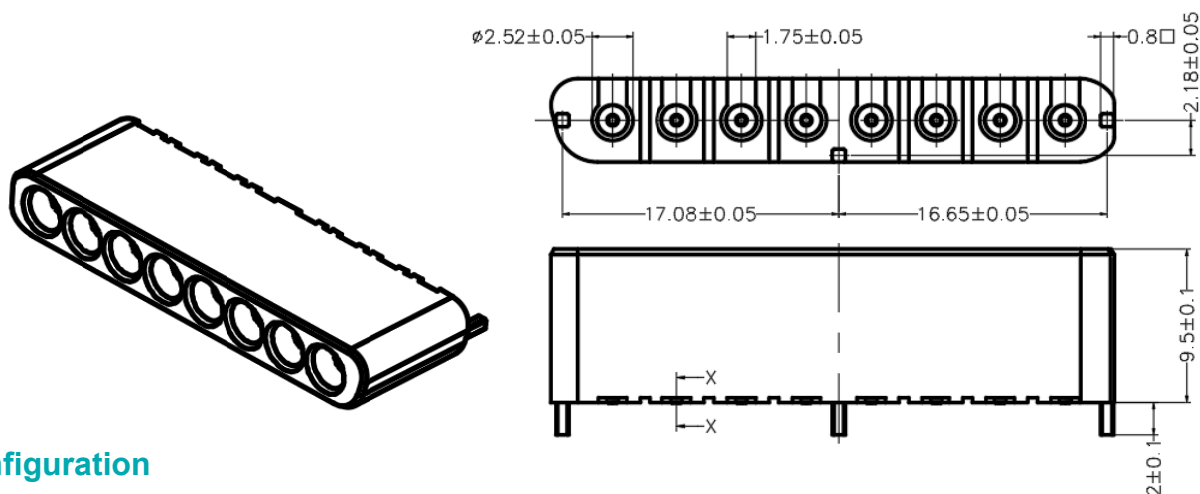


# Multi-coaxial PCB Connector Datasheet



## RJHS-S08E-H4-N



### Configuration

Connector Type	GPPO Male
Connector Body	Brass, Gold Plated
Connector Conductor	Beryllium Copper, Gold Plated
Insulation	PEI

### Electrical Characteristics

Impedance	50 $\Omega$
Frequency Range	DC to 40GHz
Return Loss	$\geq 20$ dB, DC to 40GHz
Dielectric Withstand Voltage	500 Vrms

### Mechanical Characteristics

Mechanical Life	500 cycles
Mating Force (Per Single Channel)	$\leq 3.5$ N Max.
Demating Force (Per Single Channel)	$\leq 3.5$ N Max.

### Environment Data

Working Temperature	-55 $^{\circ}$ C ~ +125 $^{\circ}$ C
---------------------	--------------------------------------

### Order Information

Dloorplf P/N	Dloorplf Description
RJHS-S08E-H4-N	Multi-coaxial 1X8 PCB Connector, GPPO Male, 40GHz, Brass