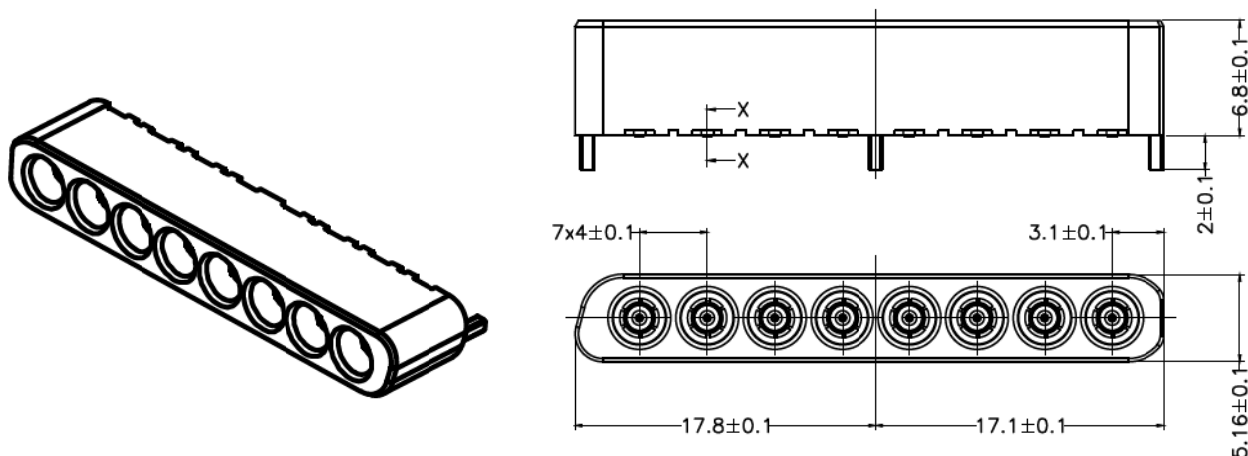


# Multi-coaxial PCB Connector Datasheet



## RJHD-S08E-H4-N



### Configuration

Connector Type	HS40 Male
Connector Body	Brass, Gold Plated
Connector Conductor	Beryllium Copper, Gold Plated
Insulation	PEI

### Electrical Characteristics

Impedance	50Ω
Frequency Range	DC to 40GHz
Return Loss	≥20dB, DC to 40GHz
Dielectric Withstand Voltage	500 Vrms

### Mechanical Characteristics

Mechanical Life	500 cycles
Mating Force (Per Single Channel)	≤3.5N Max.
Demating Force (Per Single Channel)	≤3.5N Max.

### Environment Data

Working Temperature	-55℃ ~ +125℃
---------------------	--------------

### Order Information

Dloorplf P/N	Dloorplf Description
RJHD-S08E-H4-N	Multi-coaxial 1X8 PCB Connector, HS40 Male, 40GHz, Brass