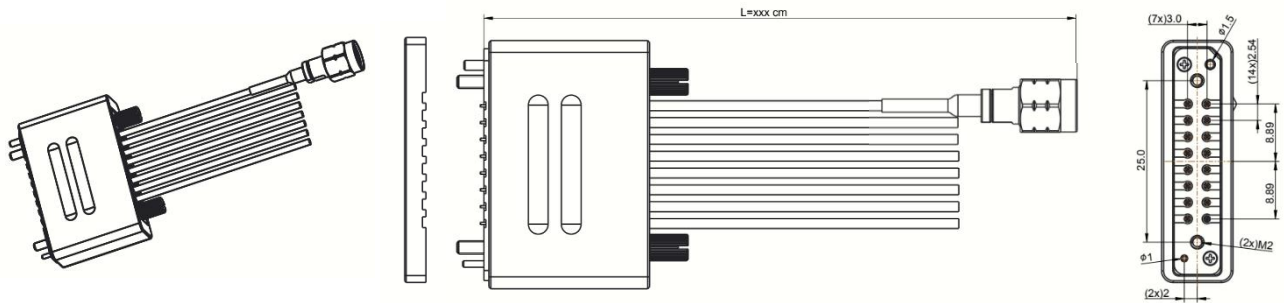


Multi-coaxial Cable Assembly Datasheet



RCM7-SD16-xxxS-6YA



Configuration

Connector 1 Type	SLC70 male, acc.to Dloorplf internal interface
Connector 2 Type	1.85mm Male
Connector Body1	Aluminum Alloy/Anodizing
Connector Body2	Stainless steel (SUS303), Passivation
Cable Type	Low Loss Stable Phase
Cable Diameter	1.5mm

Electrical Characteristics

Impedance	50Ω
Frequency Range	DC to 67GHz
Return Loss	TBD
Insertion Loss	≤0.14dB/cm x Length (cm)+1.6dB, DC to 67GHz
Phase Mating	±2ps

Mechanical Properties

Mechanical Life	100 cycles
-----------------	------------

Environment Data

Working Temperature	-40℃ to +125℃
---------------------	---------------

