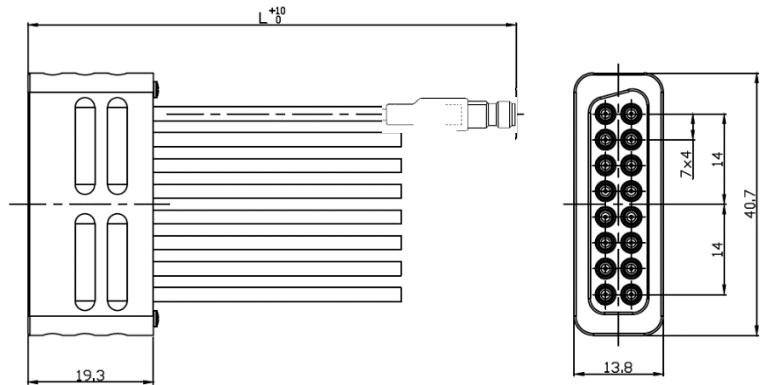
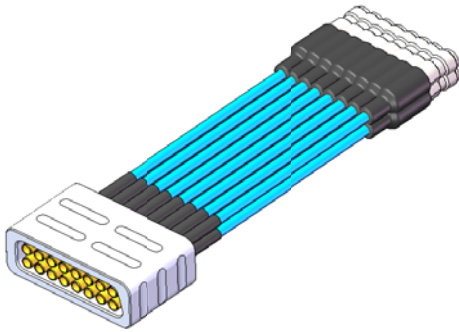


# Multi-coaxial Cable Assembly Datasheet



## RCHD-TD16-xxxS-4NE



### Configuration

Connector 1 Type	HS40 Female
Connector 2 Type	2.92mm Female
Connector Body	Aluminium Alloy/Anodizing
Cable Type	Low Loss Stable Phase(Internal connection)
Cable Diameter	2.30mm

### Electrical Characteristics

Impedance	50Ω
Frequency Range	DC to 40GHz
Return Loss	≥14dB, DC to 40GHz
Insertion Loss	≤5.1/1000*L+1dB, DC to 40GHz
Phase Mating	±2ps

### Mechanical Properties

Mechanical Life	500 cycles
Mating Force (Per single channel)	3.5N Max.
Demating Force (Per single channel)	3.5N Max.

### Environment Data

Working Temperature	-40℃ ~ +85℃
---------------------	-------------

### Order Information

Dloorplf P/N	Dloorplf Description
RCHD-TD16-015S-4NE	Multi-coaxial Cable Assembly,HS40(Female)breakout to 2.92(Female),2x8, 2.30mm,length 15cm
RCHD-TD16-030S-4NE	Multi-coaxial Cable Assembly,HS40(Female) breakout to 2.92(Female),2x8, 2.30mm,length 30cm
RCHD-TD16-xxxS-4NE	Multi-coaxial Cable Assembly,HS40(Female) breakout to 2.92(Female),2x8, 2.30mm,length xxxcm

CONTACT US  
sales@dpfcable.com  
http://www.dpfcable.com  
KUNSHAN DLOORPLF ELECTRONIC TECHNOLOGY CO., LTD

昆山德普福电子科技有限公司  
KUNSHAN DLOORPLF ELECTRONIC TECHNOLOGY CO., LTD