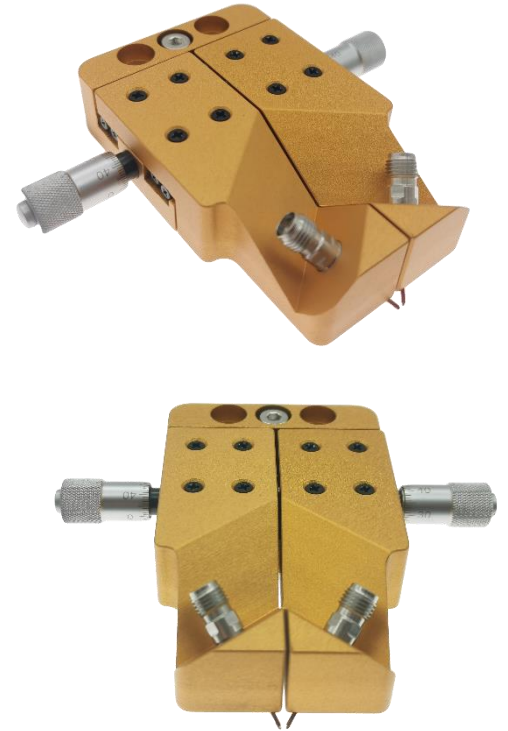
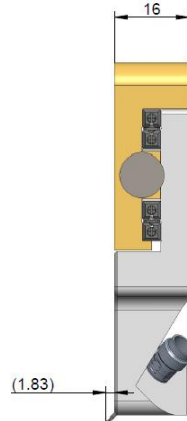
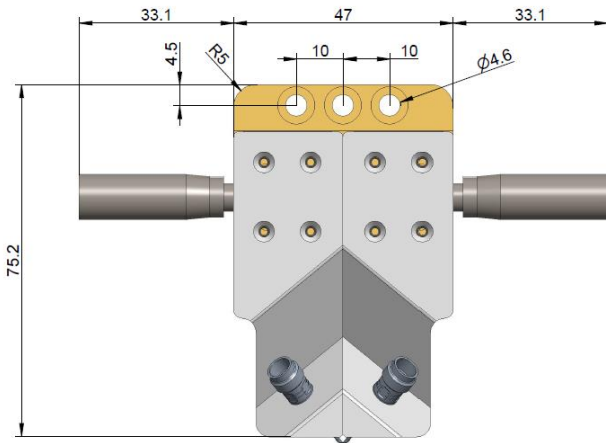


High frequency probe 40GHz, GS/SG pitch adjustment type



2.92-K-GSSG-200KT1000



- all the dimensions are in mm. Tolerance:±0.25mm

Configuration

Connector	2.92 female
Probe Material:	
-Probe tip	Nickel alloy, Gold plating
-Body	Aluminum Alloy
-Insulator	PEEK
Recommend Overtravel	50un~75um

Electrical Characteristics

Impedance	100 Ω
Frequency Range	DC to 40 GHz
Return Loss	>15 dB @ DC to 40 GHz, based on 200um pitch
Insertion Loss	<0.7 dB @ DC to 40 GHz, based on 200um pitch
Contact resistance	< 50 m Ω

Environment Data

Working Temperature	-45°C to +85°C
RoHS	Compliant

Order Information

Dloorplf P/N	Dloorplf Description
2.92-K-GSSG-200KT1000	45 Angle GS/SG pitch adjustment Probe, Min. pitch= 200um, DC to 40GHz

CONTACT US
sales@dpfcable.com
http://www.dloorplf.com
KUNSHAN DLOORPLF ELECTRONIC TECHNOLOGY CO., LTD



昆山德普福电子科技有限公司
KUNSHAN DLOORPLF ELECTRONIC TECHNOLOGY CO., LTD