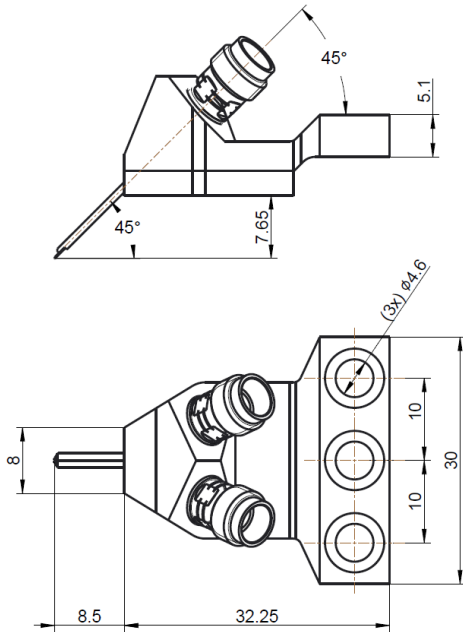


High frequency probe SS configuration



1.85-K-SS-200



- all the dimensions are in mm. Tolerance:±0.25mm

Configuration

Connector	1.85 female
Probe Material:	
-Probe tip	Nickel alloy, Gold plating
-Body	Aluminum Alloy
-Insulator	mmWave material
Recommend Overtravel	50un~75um

Electrical Characteristics

Impedance	50 Ω
Frequency Range	DC to 67 GHz
Return Loss	>15 dB @ DC to 67 GHz
Insertion Loss	<1.2 dB @ DC to 67 GHz
Contact resistance	< 50 mΩ, Au pads; < 75 mΩ, Al pads

Environment Data

Working Temperature	-45°C to +85°C
RoHS	Compliant

Order Information

Dloorplf P/N	Dloorplf Description
1.85-K-SS200	45 Angle GSSG Probe, SS pitch: 200, DC to 67GHz, Al pad