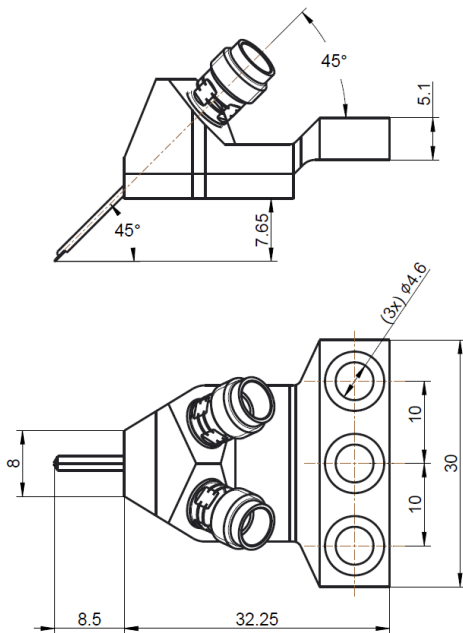


High frequency probe GSGSG configuration



1.85-K-GSGSG-XXX



- all the dimensions are in mm. Tolerance:±0.25mm

Configuration

Connector	1.85 female
Probe Material:	
-Probe tip	BeCu, Gold plating
-Body	Aluminum Alloy
-Insulator	mmWave material
Recommend Overtravel	50un~75um

Electrical Characteristics

Impedance	50 Ω
Frequency Range	DC to 67 GHz
Return Loss	>12 dB @ DC to 67 GHz, based on 125um pitch
Insertion Loss	<1.2 dB @ DC to 67 GHz
Contact resistance	< 50 mΩ, Au pads; < 75 mΩ, Al pads;

Environment Data

Working Temperature	-45°C to +85°C
RoHS	Compliant

Order Information

Dloorplf P/N	Dloorplf Description
1.85-K-GSGSG-100	45 Angle GSSG Probe, GSGSG pitch:100um, DC to 67GHz, Au pad
1.85-K-GSGSG-125	45 Angle GSSG Probe, GSGSG pitch:125um, DC to 67GHz, Au pad
1.85-K-GSGSG-150	45 Angle GSSG Probe, GSGSG pitch:150um, DC to 67GHz, Au pad

CONTACT US
sales@dpfcable.com
http://www.dloorplf.com
KUNSHAN DLOORPLF ELECTRONIC TECHNOLOGY CO., LTD

昆山德普福电子科技有限公司
KUNSHAN DLOORPLF ELECTRONIC TECHNOLOGY CO., LTD