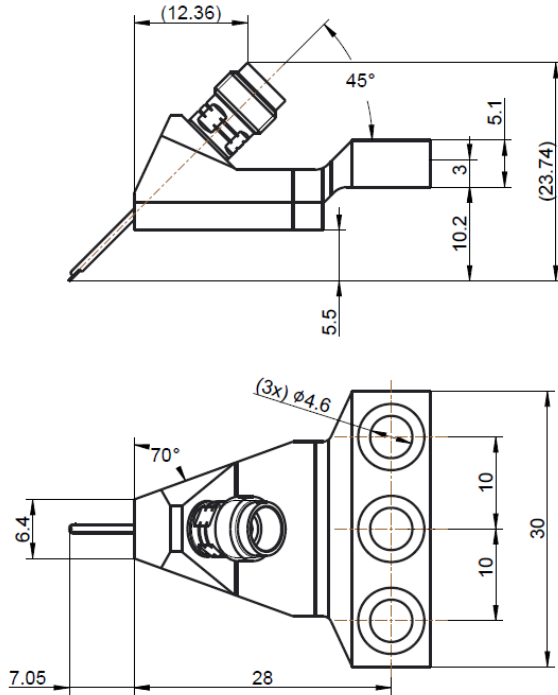


High frequency probe 67GHz, GSG configuration



- all the dimensions are in mm. Tolerance: +/-0.25

Configuration

Connector	1.85 female
Probe Material:	
-Probe tip	BeCu, Gold plating
-Body	Aluminum Alloy
Probe tip width	30um
Recommend Overtravel	50un~75um

Electrical Characteristics

Impedance	50 Ω
Frequency Range	DC to 67 GHz
Return Loss	>18 dB @ DC to 40 GHz; >14 dB @ DC to 67 GHz;
Insertion Loss	<1.0 dB @ DC to 67 GHz

Environment Data

Working Temperature	-45°C to +85°C
RoHS	Compliant

Order Information

Dloorplf P/N	Dloorplf Description
1.85-K-GSG-100	45 Angle GSG Probe, 100um pitch, DC to 67 GHz