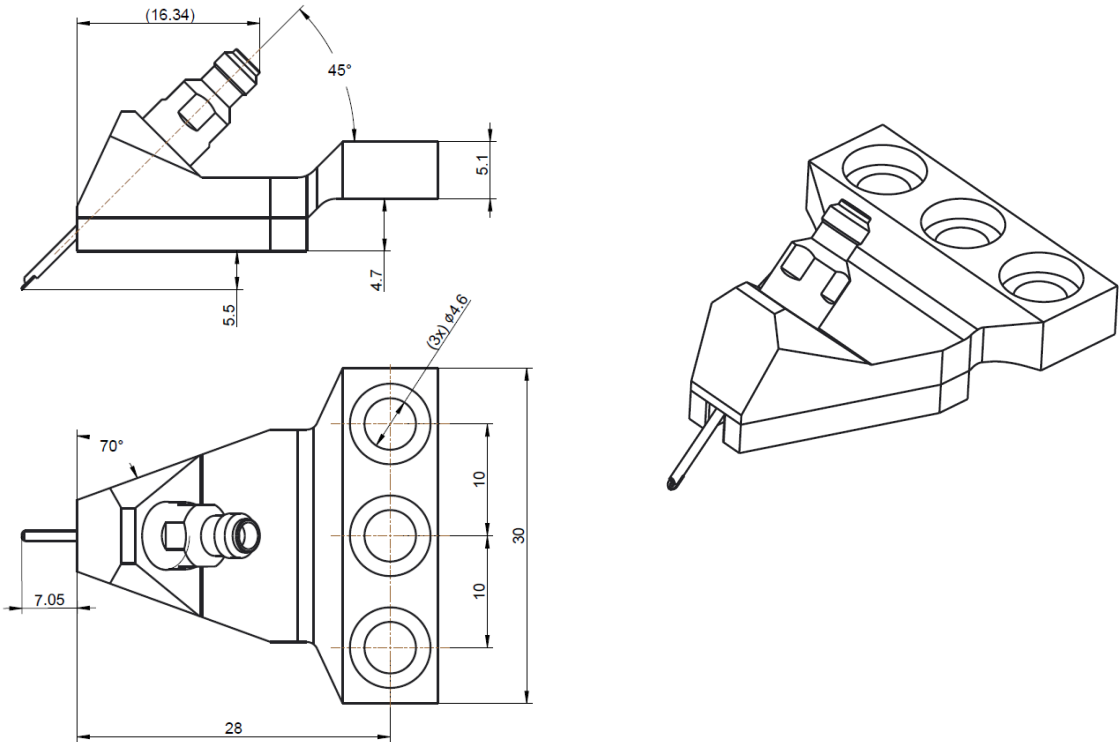


High frequency probe 110GHz, GS configuration



- all the dimensions are in mm. Tolerance: +/-0.25

Configuration

Connector	1.0 female
Probe Material:	
-Probe tip	BeCu, Gold plating
-Body	Aluminum Alloy
Probe tip width	30um
Recommend Overtravel	50un~75um

Electrical Characteristics

Impedance	50 Ω
Frequency Range	DC to 110 GHz
Return Loss	>16 dB @ DC to 67 GHz TBD @ 67 GHz to 110 GHz
Insertion Loss	<1 dB @ DC to 67 GHz TBD @ 67 GHz to 110 GHz

Environment Data

Working Temperature	-45°C to +85°C
RoHS	Compliant

Order Information

Dloorplf P/N	Dloorplf Description
1.0-K-GS-125	45 Angle GS Probe, 125um pitch, DC to 110 GHz

CONTACT US
sales@dpfcable.com
http://www.dloorplf.com
KUNSHAN DLOORPLF ELECTRONIC TECHNOLOGY CO., LTD



昆山德普福电子科技有限公司
KUNSHAN DLOORPLF ELECTRONIC TECHNOLOGY CO., LTD