

Table model Twin twist flavor

6240A

6240A Air Pump

(Gear pumps ensure a high overrun ice cream)

Feature

Offer all the popular soft serve variations from low or non-fat ice creams to custards, yogurt and sorbet.

Freezing Cylinder

Two, 1.8 Liter

Mix Hopper

Two, 12.5 Liter

Separate hopper refrigeration (Pre-cooling) maintains mix below 4.4°C.

Microprocessor Controls

Microprocessor regulates refrigeration by measuring product viscosity to maintain consistent quality.

Mix low light

The mix low light turns "ON" to alert operator to add mix, Preventing cylinder over freezing.

Standby

Maintains product temperature in the mix hoppers and freezing cylinders below 4.4°C during long no-use periods.

Counter

Records number of dispenses per day and total number of dispenses.

Agitator in the hopper

Mixture has better liquidity, the temperature of the Mix to be more uniform.

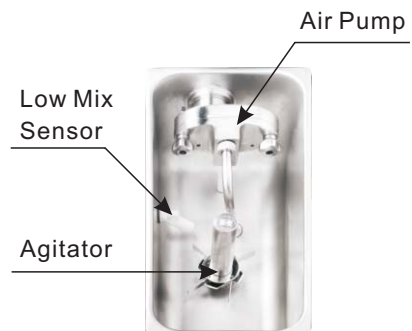
Output

40 Liter/Hour

(At 4°C Liquid & 24°C Ambient)



Flexible blade beater
Higher capacity, higher overrun



Low Mix
Sensor
Agitator

Air Pump

6240A

Ningbo SICEN Refrigeration Equipment CO.,LTD

ADD:No.1Jiangzhong Village, The Hemudu Town, Yuyao City,
ZheJiang Province, China 315414

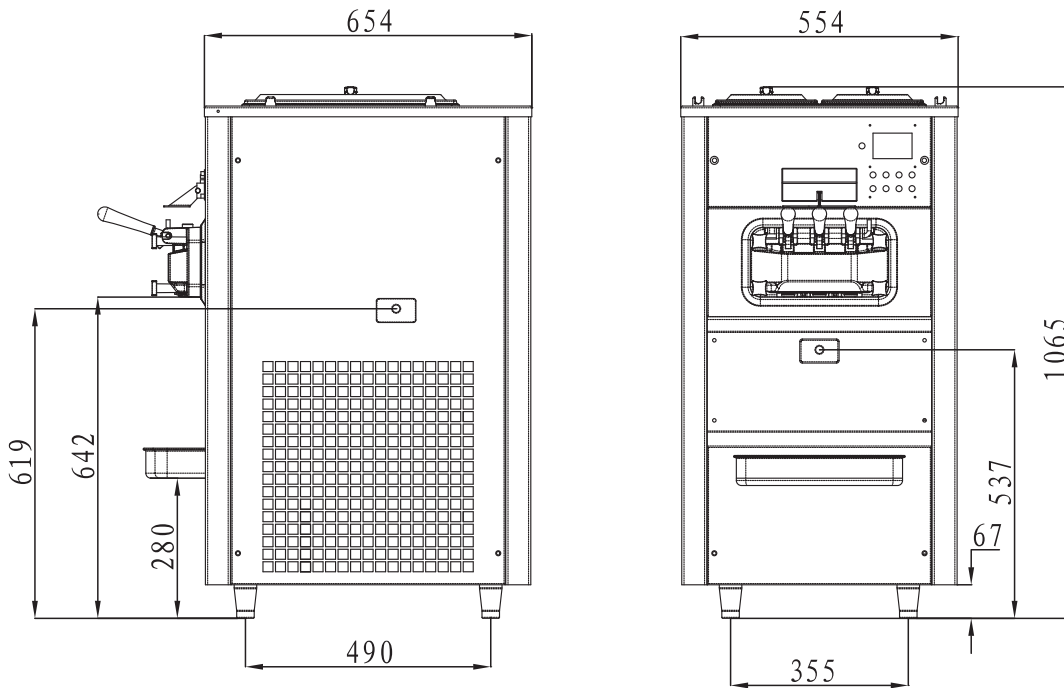
Tel:(86)574-62956998

Fax:(86)574-62956997

Web:www.space-icecream.com

E-mail:info@space-icecream.com

ISO 9001:2008
Registered Firm



Equipment parameters

Model	Dimension(mm) (NET)	Dimension(mm) (PACKING)
6240A	654x554x1065	800x645x1250

Electrical requirements

One dedicated electrical connection is required.
Make voltage steady when machine is ON.

Main motor

One, 2.0HP

Refrigeration system

One compressor:5039 BTU/hr.R404a
Separate hopper refrigeration(Pre-cooling):
One compressor:400BTU/hr.R134a
(BTU may vary depending on compressor used.)

Air Cooled

Minimum clearance of 152mm on both sides is to
achieve optimum performance.

Model	N.W.(kg)	G.W.(kg)
6240A	170	190

Model	Voltage	Power
6240A	210-230V/50Hz	2.6KW

Refer to the local situation to regulate the parameters, on basic of the data label. Specifications of the improvements are subject to change without notice.

PACKING: CARTON WITH PALLET
LOADED IN 20' CONTAINER: 25 UNITS
LOADED IN 40' CONTAINER: 50 UNITS

Options

- Power Supply :208-230V/60HZ/1PH 208-230V/60HZ/3PH
- Water Cooled
- Cone Dispenser

Ningbo SICEN Refrigeration Equipment CO.,LTD

ADD:No.1Jiangzhong Village, The Hemudu Town, Yuyao City,
ZheJiang Province, China 315414

Tel:(86)574-62956998

Web:www.space-icecream.com

E-mail:info@space-icecream.com

Fax:(86)574-62956997

SPACE[®]