

# Table model Single Flavor

# 6238

MODEL 6238

## 6238 Gravity Feed

### Feature

Offer all the popular soft serve variations from low or non-fat ice creams to custards, yogurt and sorbet.

### Freezing Cylinder

One, 3.2 Liter

### Mix Hopper

One, 15 Liter

Separate hopper refrigeration (Pre-cooling) maintains mix below 4.4°C.

### Microprocessor Controls

Microprocessor regulates refrigeration by measuring product viscosity to maintain consistent quality.

### Mix low light

The mix low light turns "ON" to alert operator to add mix, Preventing cylinder over freezing.

### Standby

Maintains product temperature in the mix hoppers and freezing cylinders below 4.4°C during long no-use periods.

### Counter

Records number of dispenses per day and total number of dispenses.

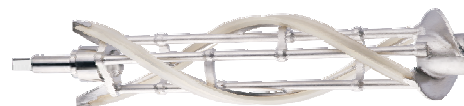
### Agitator in the hopper

Mixture has better liquidity, the temperature of the Mix to be more uniform.

### Output

38 Liter/Hour

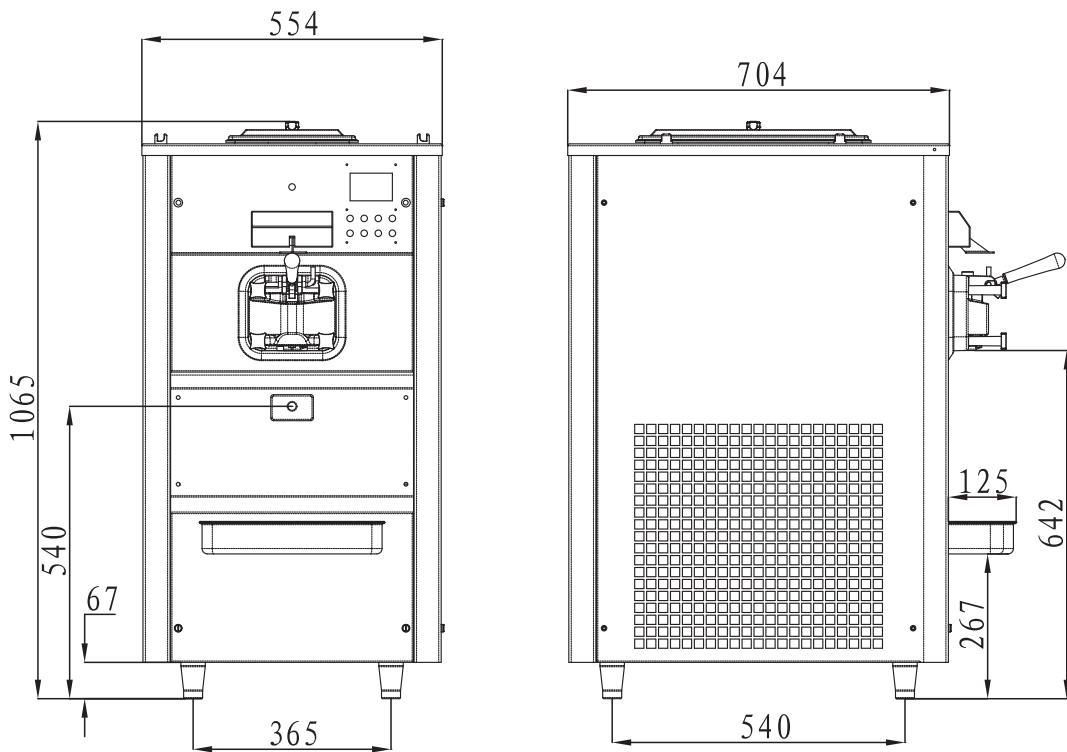
(At 4°C Liquid & 24°C Ambient)



Flexible blade beater  
Higher capacity, higher overrun



6238



### Equipment parameters

Model	Dimension(mm) (NET)	Dimension(mm) (PACKING)
6238	704x554x1065	850x645x1250

Model	N.W.(kg)	G.W.(kg)
6238	150	170

Model	Voltage	Power
6238	210-230V/50Hz/60Hz	2.8KW

#### Electrical requirements

One dedicated electrical connection is required. Make voltage steady when machine is ON.

#### Main motor

One, 2.0HP

#### Refrigeration system

One compressor:6486 BTU/hr.R404a  
 Separate hopper refrigeration(Pre-cooling):  
 One compressor:400BTU/hr.R134a  
 (BTU may vary depending on compressor used.)

#### Air Cooled

Minimum clearance of 152mm on both sides is to achieve optimum performance.

Refer to the local situation to regulate the parameters, on basic of the data label.Specifications of the improvements are subject to change without notice.

**PACKING: CARTON WITH PALLET**  
**LOADED IN 20' CONTAINER: 22 UNITS**  
**LOADED IN 40' CONTAINER: 44 UNITS**

#### Options

- Local specific plugs of power supply wire
- Cup Dispenser
- Power Supply 220V/60Hz 3PH