

SPDI5H7 Photo Diode

The SPDI5H7 is a high-output, high-speed silicon PCB photodiode, mounted in a durable, hermetically sealed To-46 metal can package

Features

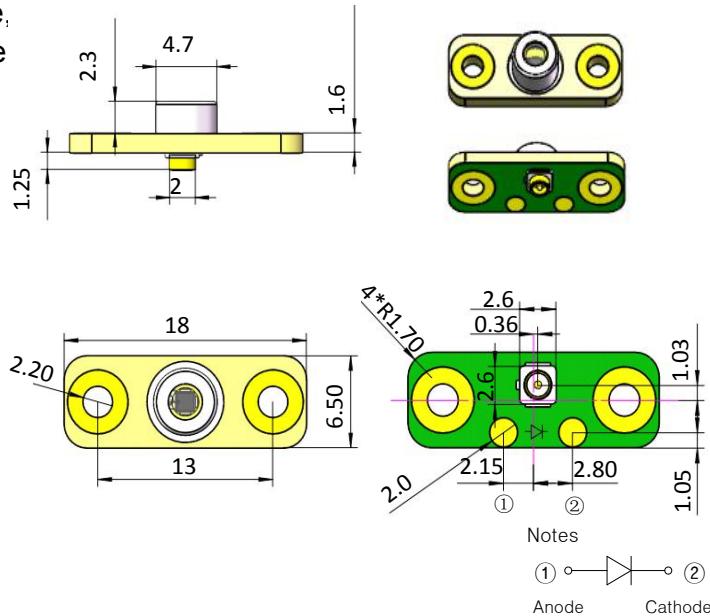
- High-Output Power
- High-Speed Response

Application

- Optical Sensors

Dimensions

(Unit:mm)



MAXIMUM RATINGS

(Ta= 25°C)

Item	Symbol	Rating	Unit
Reverse Voltage	V_R	35	V
Operating Temperature	Topr.	-40~+85	°C
Storage Temperature	Tstg.	-40~+100	°C
Soldering temperature *1	Tsol.	260	°C

*1. Lead Soldering Temperature(3mm from case for 5sec)

ELECTRO- OPTICAL CHARACTERISTICS

(Ta= 25°C)

Items	Symbol	Condition	Min.	Typ.	Max.	Unit
Open circuit voltage	V_{OC}	$E_V=1000\text{Lux}^*2$		—		V
Short circuit current	I_{SC}		10.0	12.5		μA
Dark current	I_D	$V_R=10\text{V}$			10	nA
Capacitance	C_t	$V_R=5\text{V}, f=100\text{KHz}$		19		pF
Active diameter	Φ			2.0		mm
Spectral sensitivity	λ			400~1100		nm
Peak wavelength	λ_p			950		nm

*2. Irradiance by CIE standard light source A (2856K tungsten lamp)

Photo Diode

SPDI5H7

(Ta= 25°C)

