

SPD862-03

PIN Photo Diode

The SPD862-03 is a high-output, high-speed silicon photodiode mounted in a top-view ceramic stem.

Features

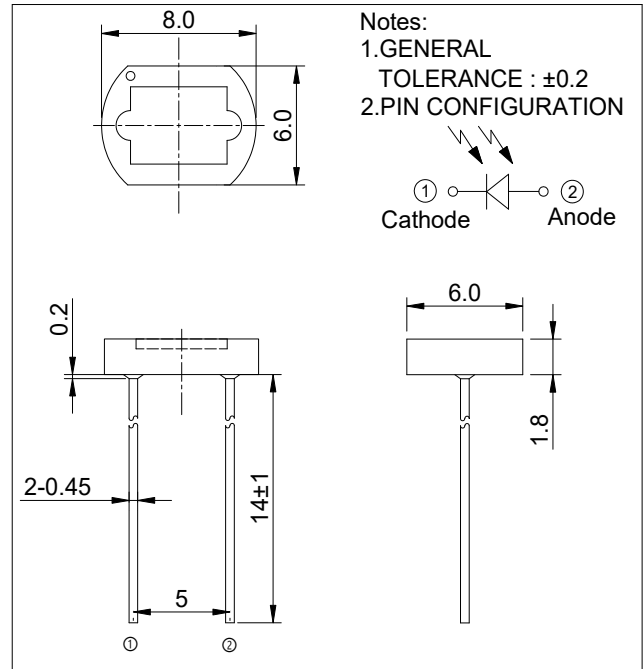
- High-Sensitivity
- High-Speed Response
- Light Filter

Application

- Optical Detectors
- Optical Switches

Dimensions

(Unit:mm)



MAXIMUM RATINGS

(Ta= 25°C)

Item	Symbol	Rating	Unit
Reverse Voltage	V_R	15	V
Power Dissipation	P_D	100	mW
Operating Temperature	$T_{opr.}$	-25~+85	°C
Storage Temperature	$T_{stg.}$	-30~+100	°C
Soldering temperature *1	$T_{sol.}$	260	°C

*1. Lead Soldering Temperature(3mm from case for 5sec)

ELECTRO- OPTICAL CHARACTERISTICS

(Ta= 25°C)

Items	Symbol	Condition	Min.	Typ.	Max.	Unit
Open circuit voltage	V_{OC}	$E_V=1000\text{Lux}^{*2}$		0.4		V
Short circuit current	I_{SC}			12		μA
Dark current	I_D	$V_R=10\text{V}$			20	nA
Capacitance	C_t	$V=0.2\text{V}, f=100\text{KHz}$		70		pF
Spectral sensitivity	λ			320~730		nm
Peak wavelength	λ_p			570		nm
Half angle	$\Delta\theta$			± 40		deg.

Note : *2. Irradiance by CIE standard light source A (2856K tungsten lamp)

