
// 目 录

1. 概述.....	1
2. 主要性能参数范围.....	1
3. 主要零件推荐材料表.....	2
4. 泵型号描述	2
5. 结构特点	3
6. 推荐供货范围	4
7. 产品结构图	6
8. 型谱图.....	8
9. 性能参数.....	9
10. 性能曲线.....	14
11. 单泵外形尺寸.....	19
12. 泵 + 电机 + 本身底座外形尺寸.....	21
13. 泵 + 液力耦合器 + 电机 + 本身底座外形尺寸	24

// Contents

1. General	1
2. The main performance parameters	1
3. The Main part recommend material list	2
4. Discription of pump type	2
5. Structure feature	3
6. Recommend supply range	4
7. Diferent design construction drawings	6
8. Hydraulic coverage	8
9. Performance data	9
10. Performance curves	14
11. Pump outline dimension	19
12. Pump and motor and independent base outline dimension	21
13. Pump and Variable speed couplings and Motor and independent base outline dimension	24

1. 概述

XSR 型热网循环泵为新一代高性能单级双吸中开式离心热水泵，特别为输送热电厂热网循环水专门设计。

热网循环泵用途：

热网循环泵向热网循环水提供动力，使热网水在热网管道中形成循环。由城市热网返回的热网循环水进入热网站，经热网循环泵升压后，进入热网加热器加热，然后送入城市热网供热总管。

热网循环泵的配套：

热网循环泵一般配弹性柱销联轴器；配工频电机、汽轮机、变频电机或者配调速液力耦合器 + 普通电机

2. 主要性能参数范围

- 泵出口直径 DN: 200~500mm
- 流量 Q: 500~5000m³/h
- 扬程 H: 60~220m
- 工作温度 T: 0℃ ~200℃
- 固体颗粒 ≤ 80mg/L
- 工作许用压力 ≤ 4MPa
- 超出此应用范围的也可按需订制

1.General

XSR series single stage double suction split case pump are specially designed for transferring circulation water in heat network of thermal power plant.

Usage:

The pump for municipal heat network will drive the water flow like a circle in the network. Circulation water which flow back from the municipal heat network will be boosted by the pump and heated by the heater, and then transferred return to the municipal heat network.

Associated equipment and parts:

flexible pin coupling, three phase motor, steam turbine, Varied frequency motor, or speed-adjustable hydraulic coupling and normal three phase motor.

2.The main performance parameters

- Pump outlet diameter DN: 200~500mm
- Capacity Q: 500~5000m³/h
- Head H: 60~220m
- Temperature T: 0℃ ~200℃
- Solid parameter ≤ 80mg/L
- Permissible pressure ≤ 4Mpa
- Customized order available

3. 主要零件推荐材料表 (The main part recommend material list)

零件名称 Part name	材料名称 Material name	代号 GB code
泵壳 Pump casing	球墨铸铁 Ductile cast iron 铸钢 Cast steel 不锈钢 Stainless steel	QT400-18 ZG230-450 ZG1Cr13
叶轮 Impeller	不锈钢 Stainless steel 不锈钢 Stainless steel 不锈钢 Stainless steel	ZG1Cr13 ZG2Cr13 304
轴 Shaft	合金钢 Alloy steel 合金钢 Alloy steel 合金钢 Alloy steel	40Cr 35CrMo 42CrMo
轴套 Shaft sleeve	碳钢镀铬 Steel chrome plated 不锈钢 Stainless steel 不锈钢 Stainless steel	45# Chrome plated 2Cr13 304
密封环 Ring	灰铸铁 Grey cast iron 球墨铸铁 Ductile cast iron 铸钢 Cast steel	HT250 QT400-18 ZG230-450
轴承 Bearing	进口轴承 Import brand bearing	SKF, NSK
轴封 Shaft sealing	高温填料密封 High temperature packing seal 切尔斯顿软填料密封 Chilston soft packing seal 机械密封 Mechanical seal 集装式机械密封 Cartridge seal	

4. 泵型号描述

例: XSR 250-600 A

XSR: 热网循环泵

250: 水泵出口直径 (mm)

600: 叶轮名义直径 (mm)

A: 泵叶轮外径的改变 (最大直径时不表示)

4. Description of pump type

For example: XSR 250-600 A

XSR: Circulating pump in heating network

250: Pump outlet diameter

600: Impeller diameter

A: Changed outer diameter of impeller (the max diameter without mark)

5. 结构特点

1) 水泵两端支承间距短, 泵运行稳定, 振动噪声小。

2) 同一转子可反向运行, 降低了水锤引起水泵损坏的风险。

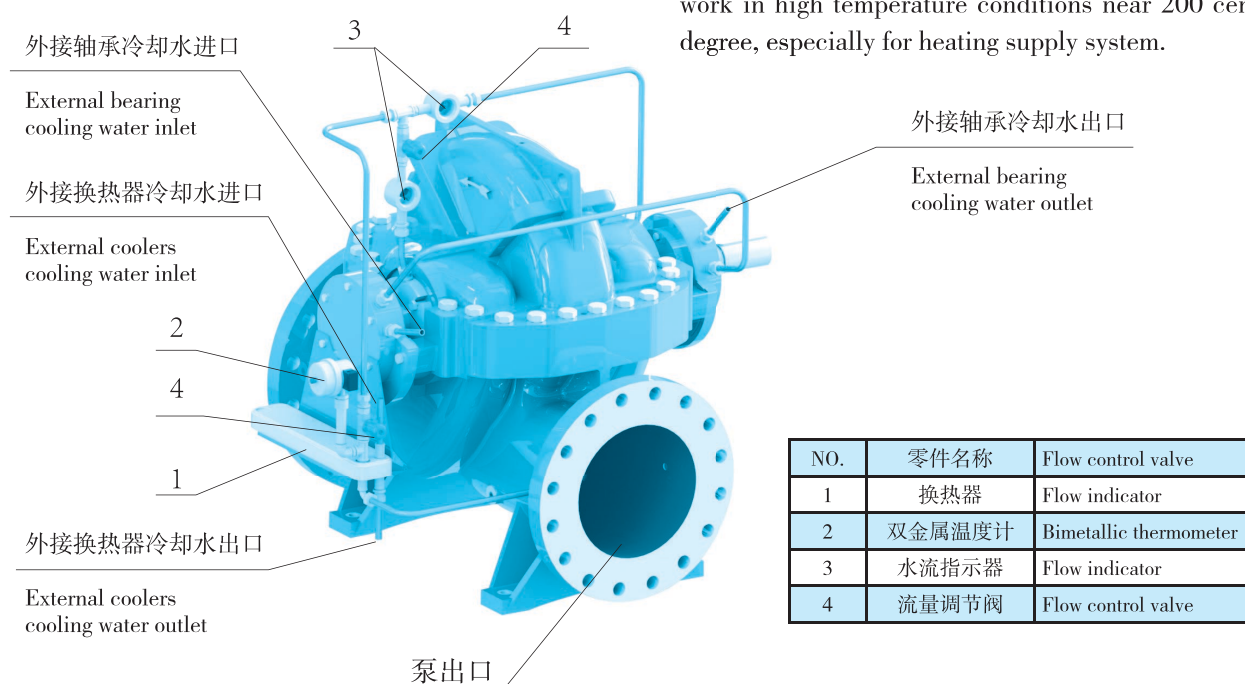
3) 独特的高温型设计: 轴承体带冷却腔, 可根据具体情况决定是否外接冷却水; 轴承可以油脂润滑, 也可稀油润滑; 如现场有与水泵输送介质相同的外接常温除盐水, 且压力比水泵进口高 1-2kg/cm², 则机封冲洗水可外接; 如现场不具备以上条件则采用如下系统解决: 从泵出口接入水泵输送的高温除盐水, 经过换热器冷却后再进行冲洗机封, 使机封更加安全稳定长久的运行; 冲洗水系统中设置水流指示器, 可实时观测通往机封的冷却水是否正常, 并可通过流量调节阀调节水流大小及压力 (一般要求压力比水泵进口高 1-2kg/cm²) ; 换热器后设置双金属温度计, 双金属温度计上可选配警报器, 当温度过高或过低时可实时报警; 也可选配差压开关来监控换热器是否运行正常; 如此等等特殊设计使水泵可应用于高达 200℃ 的运行场合, 特别适用于供热管网使用。

5. Structure feature

1) Type XSR pumps work stably with less noise and vibration, due to short spacing between both side supports.

2) The same rotor of type XSR pumps can be operated in reverse direction to avoid damage to the pumps by water hammer.

3) Unique design of high temperature form: outer cooling water will be available since the bearing with cooling chamber; the bearing could be lubricated by oil or grease; If the site has the same external ambient desalted water as the pumps transport medium, and the pressure is 1-2kg/cm² higher than the pump inlet pressure, while mechanical seal washing water can be connected with; If above conditions are not available, please follow the following instruction: cooling and filtering the high temperature demineralized water which from the pump outlet to flush the mechanical seals, which could make the mechanical seals more stable and durable; a water indicator should be fixed on the flush water system, which could monitor the flush water and adjust the water flow and pressure (usually the pressure should be 1-2kg/cm² higher than the pump inlet pressure) ; Bimetal thermometer should be coupled behind the heater exchanger, and the alarming device optional, which could react while the temperature exceed limit; Also a differential pressure switch was optional, which would monitoring the heater exchanger. Above unique design makes the pump could work in high temperature conditions near 200 centigrade degree, especially for heating supply system.



4) 一般根据要求采用变频电机或汽轮机配置的水泵轴伸位置配有测速齿轮装置并配有测速仪表及探头; 而采用调速液力耦合器 + 普通电机配置的水泵则将测速齿轮装置装在耦合器输出轴上并配有测速仪表及探头。

5) 泵体部分可根据使用条件的变化采取立式或卧式安装, 密封采用高温填料、切尔斯顿软填料或机械密封; 也可采用集装式机械密封, 更换机械密封成为轻松简单的工作。

6) 水泵外型应用工业化设计, 线条清晰, 符合现代审美观。

7) 选(采)用优异的水力模型, 使泵的效率比同类型泵高 2~3%, 大大降低了泵的运行成本。

8) 选用进口轴承, 零件材料可根据用户应用要求选用, 使泵能适应各种现场运行条件, 大大降低了维修成本。

9) 应用弹性预应力设计装配, 转子部件装拆简单迅速。

10) 装配时无须调整各种间隙。

4) Speed detection device coupled with speed measuring instrument and the probe will be configured at the shaft extension position if the pump was driven by variable frequency motor or steam turbine; otherwise it will be configured at the coupling device if the pump was driven by normal motor with hydraulic coupling.

5) Type XSR pumps can be vertically or horizontally mounted according to different working condition, with High temperature packing seal or Mechanical seals; can also use cartridge seals, so it is very easy and simple to replace them.

6) With industrial design, the outline of XSR is clear and beautiful in line with modern aesthetics.

7) The efficiency of XSR pumps are 2%~3% higher than the same type pumps due to adopting advanced hydraulic model and thus reduce the operating costs significantly.

8) Choosing import brand bearing, and other parts material chosen by customer, make the pump suitable for any operation condition and reduce the maintenance costings.

9) It is rapid and simple to assemble and dismount the rotor parts due to using elastic prestress assembling.

10) It is unnecessary to make adjustment to any clearance when assembling.

6、推荐供货范围 (最终由需方和供方的供货协议确定)

1、工频电机、汽轮机、变频电机的供货范围 (一台泵组)

序号	名称	数量
1	泵本体	1 台
2	机座等各种连接附件	1 套
3	冷却、密封水管路	1 套
4	联轴器及护罩	1 套
5	配套工频或变频电动机	1 台
6	温度测量仪表	1 套

备注: 1) 表中第二项: 每套机座等各种连接附件含水泵本身底座和电机本身底座及其连接附件和相应的调整垫片、地脚螺栓等。

6、Recommended scope of supply(Which up to the agreement between supplier and buyers)

1. While driven by Motor、steam turbine、varied speed motor(1 sets)

No.	name	quantity
1	pump	1
2	Baseplate & fasten parts	1
3	Cooling& sealing water pipe	1
4	Coupling and guard	1
5	motor	1
6	Temperature monitor	1

Remarks: 1) No.2: pump baseplate & motor baseplate included, so as the related cushion, anchor bolts & nuts.

2) 表中第六项: 温度测量仪表是指水泵两端轴承体上所装的铠装、双支型, K 型热电偶或 Pt100 热电阻(三线制)。

3) 表中第五项: 如配汽轮机则这一项没有。

2、配调速液力耦合器 + 普通电机的供货范围(一台泵组)

序号	名称	数量
1	泵本体	1 台
2	机座等各种连接附件	1 套
3	冷却、密封水管路	1 套
4	联轴器及护罩	1 套
5	配套电动机	1 台
6	配套液力耦合器	1 套
7	温度测量仪表	1 套

备注: 1) 表中第二项: 每套机座等各种连接附件含水泵本身底座, 液力耦合器底座和电机本身底座及其连接附件和相应的调整垫片、地脚螺栓等。

2) 表中第六项: 配套液力耦合器设备明细清单

序号	名称	数量
1	主机	1 台
2	一体化型电动执行器	1 台
3	压力表	1 件
4	温度计	3 件
5	铂热电阻	2 件
6	压力变送器	1 台
7	测速仪	1 套
8	主冷却器	1 台
9	加热器	2 件
10	冷却器和耦合器连接管路、弯头及法兰	1 套
11	液力耦合器底座及其连接附件和相应的调整垫片、地脚螺栓等	1 件
12	本体接线箱	1 件

3) 表中第七项: 温度测量仪表包含水泵两端轴承体均装有铠装、双支型, K 型热电偶或 Pt100 热电阻(三线制)。

2) No.6: Temperature monitor means the pumps at both ends of the bearing body on the armour,double-vessel type, K-type thermocouple or Pt100 thermal resistance (three-wire)

3) No.5: Not available if driven by steam turbine.

2、While driven by normal motor with hydraulic coupling(1 set)

No.	Name	Quantity
1	pump	1
2	Baseplate & fasten parts	1
3	Cooling& sealing water pipe	1
4	Coupling and guard	1
5	motor	1
6	Hydraulic coupling	1
7	Temperature monitor	1

Remarks: 1) No.2: pump baseplate, hydraulic device baseplate & motor baseplate included, so as the related cushion, anchor bolts & nuts.

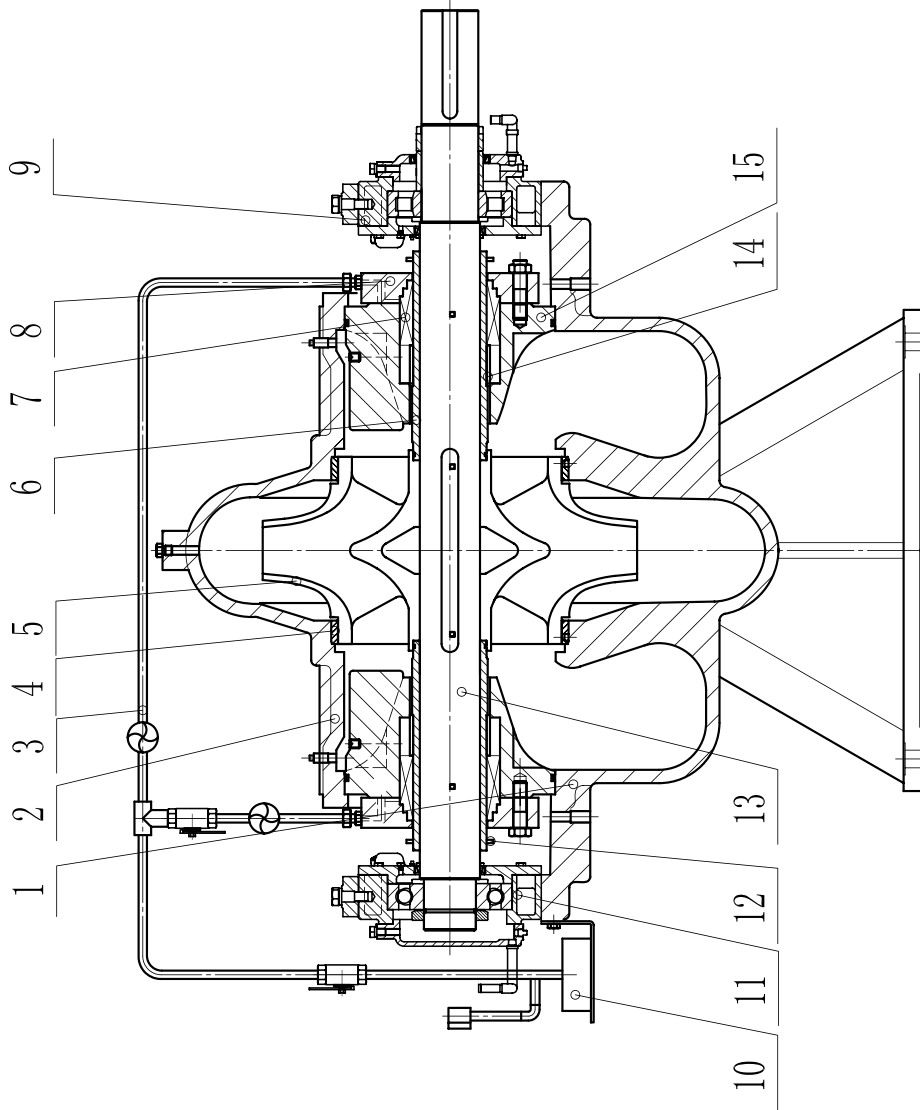
2) No.6: scope of parts while driven by hydraulic coupling

No.	name	quantity
1	pump	1
2	Integrated electric actuators	1
3	Pressure gauge	1
4	thermometer	3
5	platinum thermistor	2
6	pressure transmitter	1
7	tachymeter	1
8	Primary cooler	1
9	heater	2
10	Cooler and coupling pipe, elbow and flange	1
11	Hydraulic coupling baseplate, fasten parts and cushion anchor bolts	1
12	Terminal box	1

3) No.7: Temperature monitor means the pumps at both ends of the bearing body on the armour,double-vessel type, K-type thermocouple or Pt100 thermal resistance (three-wire) .

7. 产品结构图 (Construction drawings)

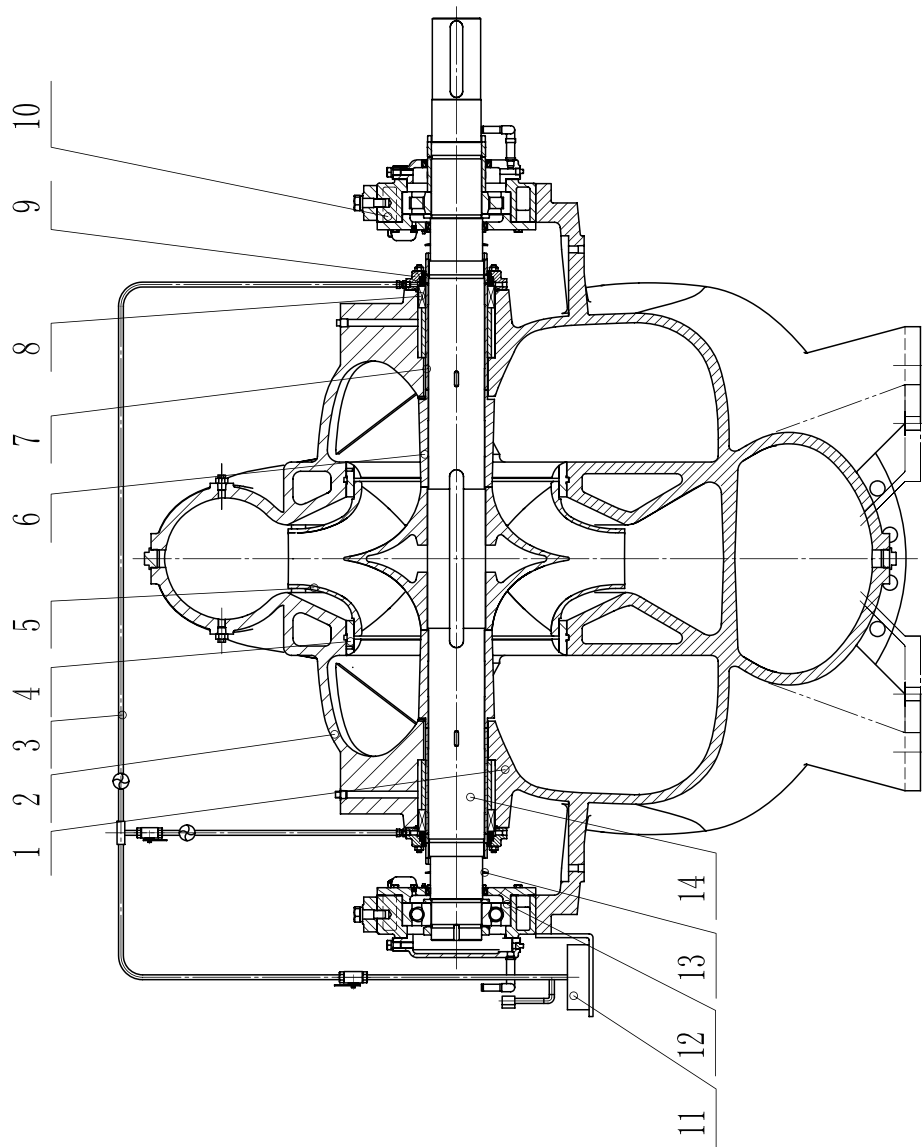
结构形式 I (Structure drawings I)



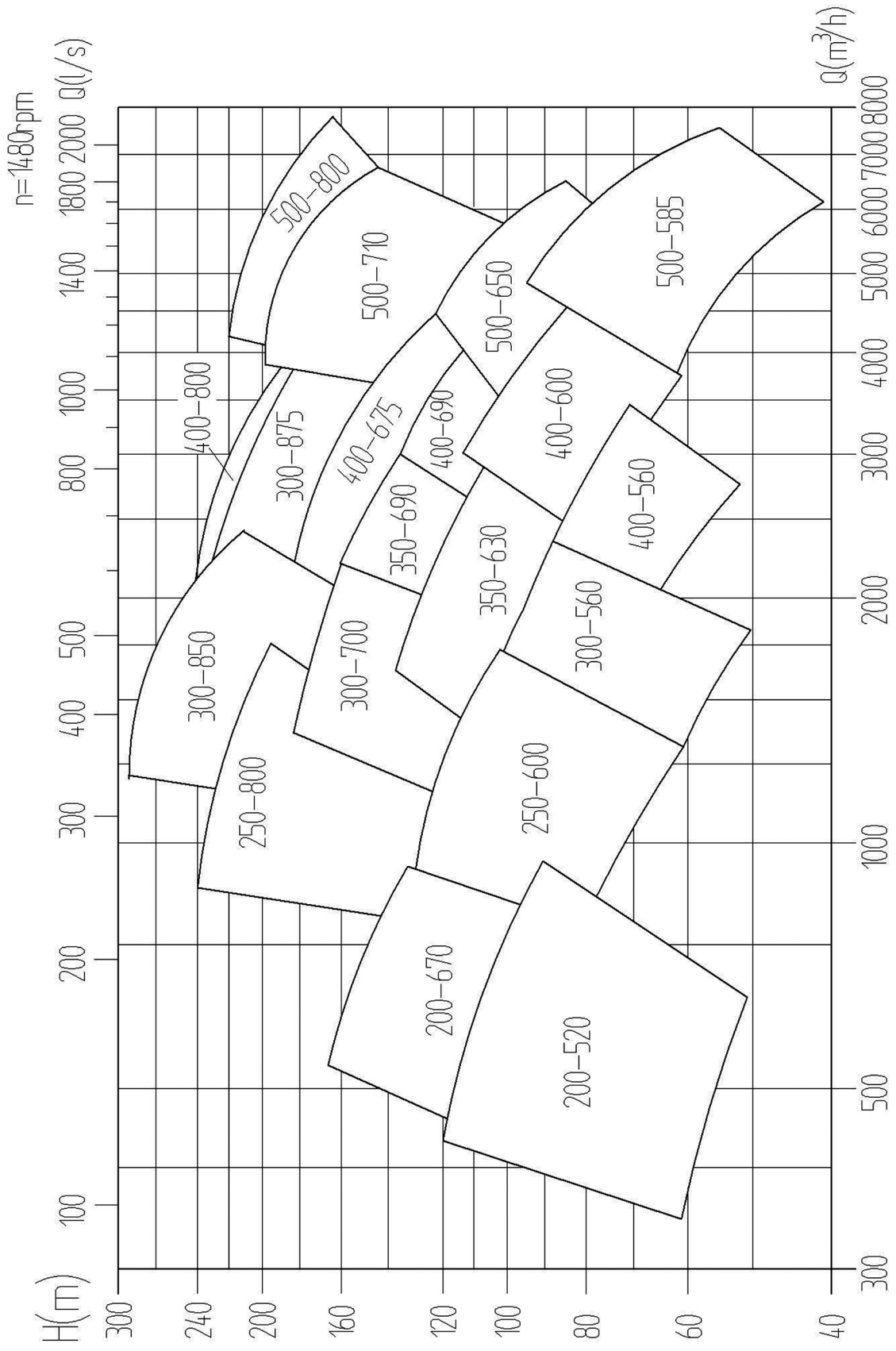
15	密封体	Seal housing
14	密封衬套	Seal bushing
13	轴	Shaft
12	挡水圈	Water fender ring
11	轴承部件乙	Bearing part B
10	冷却器	Coolers
9	轴承部件甲	bearing part A
8	机封压盖	Seal gland
7	机械密封	Mechanical seal
6	轴套	Shaft sleeve
5	叶轮	Impeller
4	口环	Seal ring
3	冷却管路系统	Cooling circuit systems
2	泵盖	Casing cover
1	泵体	Casing
NO.	零件名称	Parts Name

结构形式 II (Structure drawings II)

14	轴	Shaft
13	挡水圈	Water fender ring
12	轴承部件甲	Bearing part B
11	冷却器	Coolers
10	轴承部件乙	bearing part B
9	机封压盖	Seal gland
8	机械密封	Mechanical seal
7	轴套	Shaft sleeve
6	叶轮挡套	Impeller sleeve
5	叶轮	Impeller
4	口环	Seal ring
3	冷却管路系统	Cooling circuit systems
2	泵盖	Casing cover
1	泵体	Casing
NO.	零件名称	Parts Name



8. 型谱图 (Hydraulic coverage)



9. 性能参数 (Performance Data)

泵型号 Type		流量 Capacity		扬程 Head (m)	转速 Speed (r/min)	轴功率 Shaft power (kw)	配套功率 Motor power (kw)	效率 EFF (%)	汽蚀余量 (NPSH) r (m)	结构形式 The structural form
		(m ³ /h)	(l/s)							
200-520		504	140	112	1480	197	355	78	3	结构形式 I structure drawing I
		864	240	96		272		83	5	
		1008	280	86		303		78	7	
	A	504	140	87		153	250	78	3	
		720	200	82		198		81	5	
		900	250	73		235		76	7.2	
	B	432	120	77		121	200	75	3	
		612	170	70		149		78	5	
		792	220	63		179		76	8	
	C	396	110	59		86	132	74	3	
		540	150	54		105		76	4.5	
		684	190	48		123		73	6	
200-670		441	123	170	1480	291	500	70	2.6	结构形式 I structure drawing I
		808	225	156		425		81	2.9	
		882	245	151		453		80	3.3	
	A	430	119	146		244	400	70	2.7	
		716	199	133		325		80	2.9	
		845	235	125		374		77	4.2	
	B	411	114	125		200	355	70	2.8	
		683	190	112		270		77	2.8	
		808	225	104		306		75	3.3	
	C	404	112	104		166	280	69	2.7	
		643	179	94		219		75	2.7	
		781	214	83		237		74	3.3	
250-600		845	235	135	1480	390	630	80	2.9	结构形式 I structure drawing I
		1249	347	122		494		84	4.0	
		1690	470	100		575		80	7.4	
	A	735	204	118		310	500	76	2.9	
		1176	327	104		400		83	4.0	
		1543	429	83		455		77	8.6	
	B	661	184	101		246	400	74	2.9	
		1102	306	87		313		83	3.6	
		1286	358	78		334		82	5.5	
	C	661	184	83		198	280	76	2.9	
		1029	286	70		238		82	3.5	
		1249	347	60		257		80	5.5	
250-800		1058	294	238	1480	902	1250	76	4.4	结构形式 I structure drawing I
		1323	367	225		1013		80	4.7	
		1587	441	219		1229		77	5.2	
	A	988	274	214		767	1120	75	4.4	
		1235	343	205		873		79	4.7	
		1482	412	190		1009		76	5.2	
	B	917	255	192		639	900	75	4.4	
		1146	319	187		748		78	4.7	
		1376	382	172		848		76	5.2	

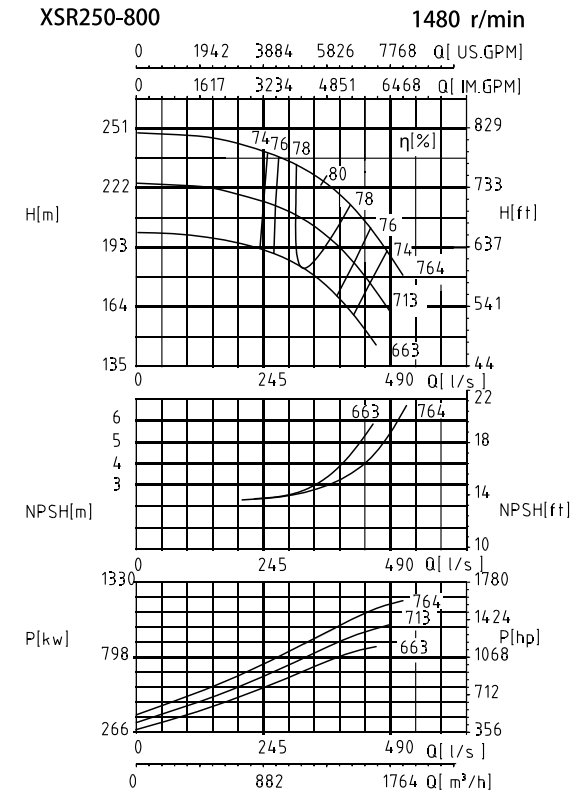
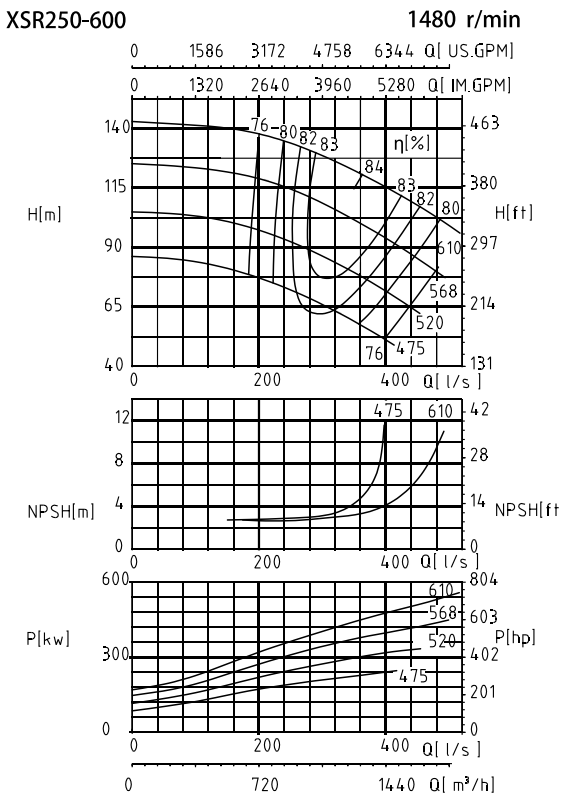
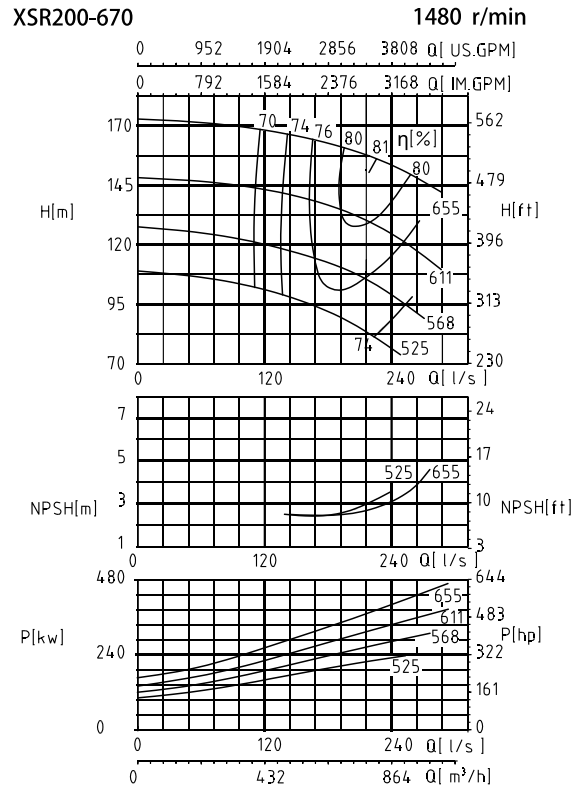
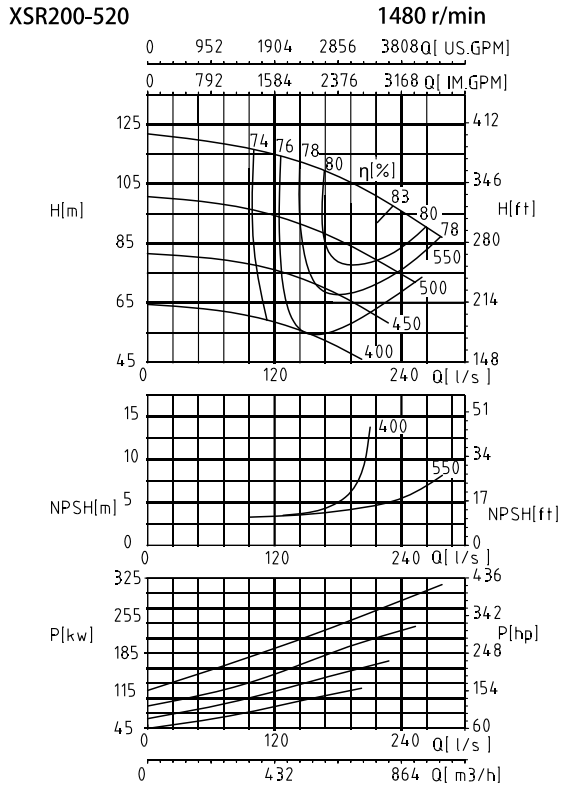
泵型号 Type	流量 Capacity		扬程 Head (m)	转速 Speed (r/min)	轴功率 Shaft power (kw)	配套功率 Motor power (kw)	效率 EFF (%)	汽蚀余量 (NPSH) r (m)	结构形式 The structural form	
	(m ³ /h)	(l/s)								
300-560		972	270	106	1480	364	560	77	4.1	结构形式 I structure drawing I
		1332	370	99		428		84	4.9	
		1944	540	72		501		76	5.8	
	A	972	270	88		307	500	76	4.5	
		1296	360	80		360		83	5.4	
		1728	480	64		396		76	6.1	
	B	919	255	71		240	355	74	4.8	
		1188	330	65		256		82	5.5	
		1440	400	54		278		76	6.4	
	C	972	270	60		212	280	75	5.2	
		1134	315	55		215		79	5.5	
		1296	360	50		235		75	7	
300-700		919	255	190	1480	632	1250	75	4.1	结构形式 I structure drawing I
		1874	520	174		1032		86	4.7	
		2095	582	165		1104		85	5.0	
	A	955	265	171		593	1000	75	4.2	
		1764	490	147		830		85	4.5	
		2021	561	141		933		83	10.4	
	B	919	255	138		453	710	76	4.2	
		1654	459	121		648		84	4.6	
		1837	510	110		666		83	7.0	
	C	919	255	113		375	630	75	4.2	
		1543	429	99		501		83	4.5	
		1911	531	85		556		80	8.5	
300-850		1411	392	278	1480	1424	2000	75	8.1	结构形式 III structure drawing III
		1874	521	260		1658		80	8.8	
		2250	625	225		1838		75	10.4	
	A	1352	376	241		1200	1800	74	8.4	
		1764	490	224		1398		77	9.2	
		2117	588	196		1548		73	10.2	
	B	1321	367	217		1084	1600	72	8.8	
		1690	470	198		1215		75	9.9	
		2028	564	170		1304		72	10.8	
	C	1235	343	187		898	1250	70	8.8	
		1543	429	174		1016		72	10.3	
		1852	514	152		1111		69	11.7	
300-875		2160	600	225	1480	1633	2500	81	4	结构形式 III structure drawing III
		2664	740	212		1809		84	5.7	
		3600	900	180		2192		80.5	7	
	A	1944	540	197		1303	2000	80	5	
		2592	720	183		1537		83	6	
		3024	840	164		1677		80.5	7.5	
	B	1800	500	176		1092	1600	79	5.5	
		2304	640	167		1262		82	6.5	
		2736	760	152		1415		80	7	
	C	1728	480	159		959	1400	78	5.5	
		2160	600	148		1061		81	6.5	
		2592	720	136		1215		79	7.5	

泵型号 Type	流量 Capacity		扬程 Head (m)	转速 Speed (r/min)	轴功率 Shaft power (kw)	配套功率 Motor power (kw)	效率 EFF (%)	汽蚀余量 (NPSH) r (m)	结构形式 The structural form	
	(m ³ /h)	(l/s)								
350-630		1323	367	146	1480	710	1250	74	4.9	结构形式 II structure drawing II
		2205	612	131		927		85	7.2	
		2646	735	121		1062		82	9.9	
	A	1323	367	133		632	1000	76	5	
		2058	572	121		806		84	6.8	
		2572	715	104		901		81	9.7	
	B	1213	337	123		534	900	76	4.8	
		1948	541	110		701		83.5	6	
		2352	653	100		776		82.5	7.9	
	C	1139	316	112		455	710	76	4.8	
		1837	510	100		599		83.5	5.8	
		2315	643	85		657		82	7.8	
D	1066	296	98	373	630	76	4.7			
	1653	459	89	486		82	5.3			
	2204	612	72	553		78	7.3			
350-690		1800	500	174	1480	1027	1400	83	5.5	结构形式 II structure drawing II
		2520	700	155		1223		87	7	
		3060	850	136		1349		84	10	
	A	1692	470	150		833	1250	83	5.5	
		2340	650	135		1000		86	7	
		2736	760	120		1077		83	9	
	B	1440	400	132		664	900	78	5.5	
		1980	550	120		761		85	6.6	
		2520	700	102		875		80	9.8	
	C	1440	400	113		568	800	78	5.5	
		1980	550	100		650		83	6.8	
		2340	650	87		711		78	9.3	
400-560		1617	449	102	1480	591	900	76	4.8	结构形式 II structure drawing II
		2682	745	90		770		85	7.3	
		3160	878	81		842		83	8.9	
	A	1543	429	95		531	800	75	4.8	
		2572	715	82		686		84	6.8	
		3087	857	72		746		81	8.8	
	B	1470	408	86.5		461	710	75	4.7	
		2462	684	75		599		84	6.6	
		3050	847	64.6		658		81.5	9.7	
	C	1415	393	79		407	630	75	4.7	
		2388	663	67		519		83.5	6.3	
		2940	817	54		542		80	8.4	
D	1396	388	72	364	560	75	4.7			
	2315	643	59	451		83	6			
	2866	796	51	511		78	7.6			
400-600		1959	544	135	1480	948	1600	76	4.6	
		3234	898	118		1205		86	7.8	
		3968	1102	102		1345		82	10.9	
	A	1837	510	124		816	1250	76	4.5	
		3050	847	107		1042		85.5	7.1	
		4042	1123	85		1146		82	11.5	

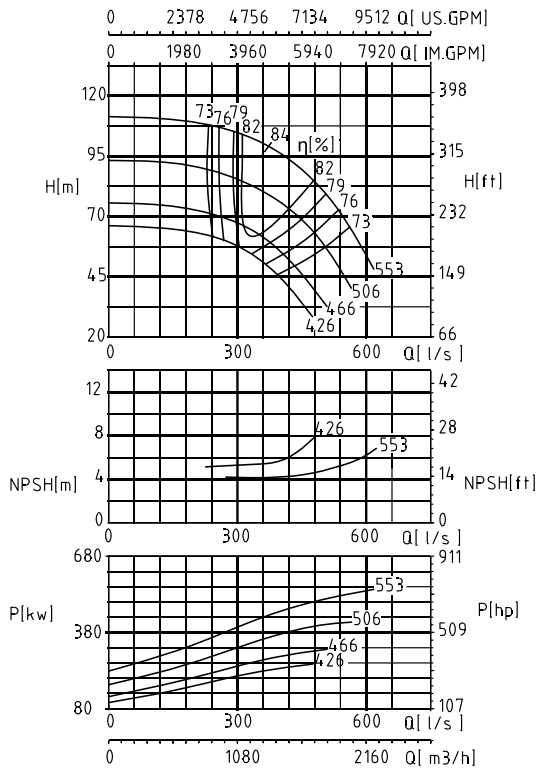
泵型号 Type		流量 Capacity		扬程 Head (m)	转速 Speed (r/min)	轴功率 Shaft power (kw)	配套功率 Motor power (kw)	效率 EFF (%)	汽蚀余量 (NPSH) r (m)	结构形式 The structural form
		(m ³ /h)	(l/s)							
400-600	B	1837	510	112	1048	713	1120	79	4.5	结构形式 II structure drawing II
		2940	817	97		913		85	6.8	
		3858	1072	74		966		80	10.7	
	C	1654	459	104		617	900	76	4.2	
		2756	766	87.5		773		85	6.3	
		3491	970	67		792		80	8.9	
	D	1562	434	94		525	800	76	4.2	
		2572	715	77		635		85	5.8	
		3123	868	62.5		665		80	7.3	
400-675		2164	601	178	1480	1313	2000	80	6.3	结构形式 II structure drawing II
		3354	932	156		1621		88	8.4	
		4463	1240	124		1886		80	15.8	
	A	2164	601	152		1122	1600	80	6.3	
		3083	856	136		1307		87	8.6	
		4003	1112	108		1476		80	14.4	
	B	2056	571	131		916	1400	80	6.3	
		2813	781	117		1045		86	8.6	
		3570	992	97		1174		80	12.6	
	C	2001	556	113		769	1120	80	6.8	
		2596	721	102		876		82	7.9	
		3137	872	86		928		79	13.5	
400-690		2448	680	151	1480	1213	1600	83	9	结构形式 III structure drawing III
		3060	850	141		1350		87	11	
		3312	920	129		1385		84	13	
	A	2232	620	141		1033	1400	83	9	
		2736	760	132		1143		86	10.5	
		3060	850	122		1225		83	13	
	B	2016	560	124		840	1250	81	8.5	
		2448	680	118		925		85	11	
		2736	760	111		1008		82	14	
400-800		2520	700	236	1480	1951	2500	83	6.8	结构形式 II structure drawing II
		3060	850	213		2164		82	8	
		3420	950	193		2396		75	9.2	
	A	1980	550	208		1402	2000	80	6.4	
		2520	700	197		1609		84	7.2	
		2880	800	186		1846		79	8.4	
	B	1800	500	176		1092	1600	79	5.5	
		2304	640	167		1262		82	6.5	
		2736	760	152		1415		80	7 _s	
	C	1728	480	159		959	1400	78	5.5	
		2160	600	148		1061		81	6.5	
		2592	720	136		1215		79	7.5	
500-585		4536	1260	101	1480	1540	1800	81	9	结构形式 II structure drawing II
		6120	1700	82		1553		88	11	
		7560	2100	67		1682		82	17.5	
	A	4140	1150	86		212	1400	80	9	
		5670	1575	72		1277		87	13	
		6804	1890	59		1317		83	20	

泵型号 Type	流量 Capacity		扬程 Head (m)	转速 Speed (r/min)	轴功率 Shaft power (kw)	配套功率 Motor power (kw)	效率 EFF (%)	汽蚀余量 (NPSH) r (m)	结构形式 The structural form
	(m ³ /h)	(l/s)							
500-585	B	3780	1050	74	989	1250	77	8.5	结构形式 II structure drawing II
		5292	1470	62	1051		85	11	
		6426	1785	49	1072		80	16	
	C	3780	1050	62	829	1000	77	8.5	
		4914	1365	53	854		83	13	
		5670	1575	45	868		80	16	
500-650		3767	1047	120	1539	2000	80	8.7	
		5382	1495	105	1739		88.5	12.7	
		6727	1928	78	1849		80	21.5	
	A	3606	1001	114	1399	1800	80	8.5	
		5113	1420	101	1609		87	12.5	
		6566	1823	74	1608		82	19	
	B	3390	942	107	1238	1600	80	8	
		4843	1346	94	1440		86	11.2	
		5691	1779	67	1462		80	18.5	
	C	3229	897	98	1081	1400	80	7.8	
		4507	1271	83	1212		85	10.7	
		5166	1615	63	1238		80	14.3	
D	3122	867	84	890	1120	80	7.6		
	4036	1121	76	994		84	8.9		
	5005	1390	58	990		80	12.1		
500-710		3752	1042	197	2458	4000	82	7.8	
		5896	1638	173	3085		90	10.2	
		7504	2085	144	3548		83	14.9	
	A	3752	1042	184	2293	3550	82	8	
		5896	1638	162	2920		89	11.5	
		7504	2085	129	3166		83	20	
	B	3752	1042	168	2074	3150	83	8.4	
		5360	1489	151	2500		88	10.6	
		6968	1936	124	2873		82	17.3	
	C	3484	968	148	1740	2500	81	7.8	
		4824	1340	133	2080		84	10	
		5896	1638	115	2285		81	13.3	
D	2680	745	129	1303	2000	72	8		
	4181	1161	112	1607		79	8.9		
	5360	1489	91	1817		73	12		
500-800		4320	1200	218	3330	4000	77	10.2	
		5040	1400	212	3592		81	11.5	
		5760	1600	203	3790		84	14.5	
	A	5040	1400	194	3208	4000	83	12	
		6120	1700	178	3490		85	17	
		6840	1900	166	3725		83	19	
	B	5040	1400	166	2848	3550	80	13	
		5760	1600	157	2967		83	15	
		6480	1800	145	3120		82	18	
	C	4680	1300	149	2466	3150	77	11.5	
		5400	1500	140	2606		79	14.5	
		6120	1700	128	2770		77	18	

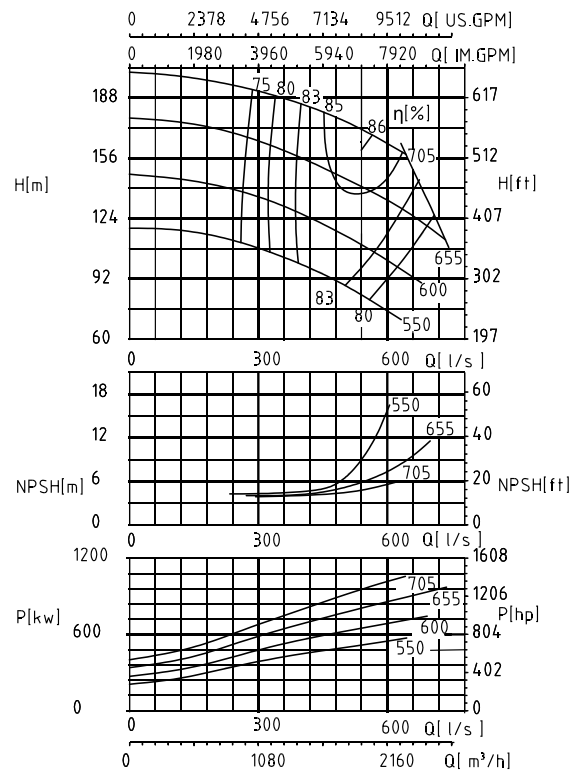
10. 性能曲线 (Performance Curve)



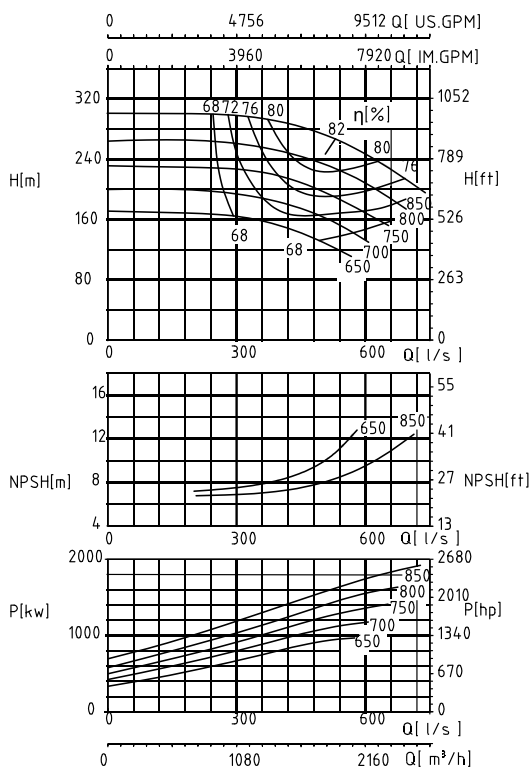
XSR300-560 1480 r/min



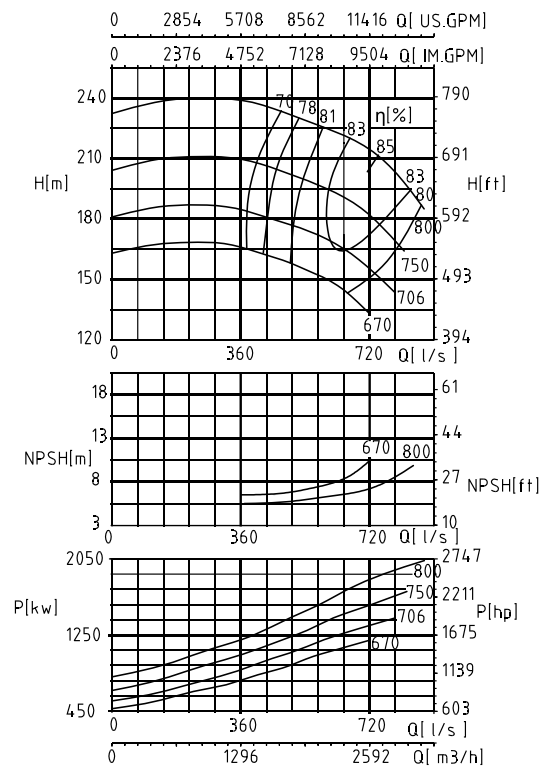
XSR300-700 1480 r/min

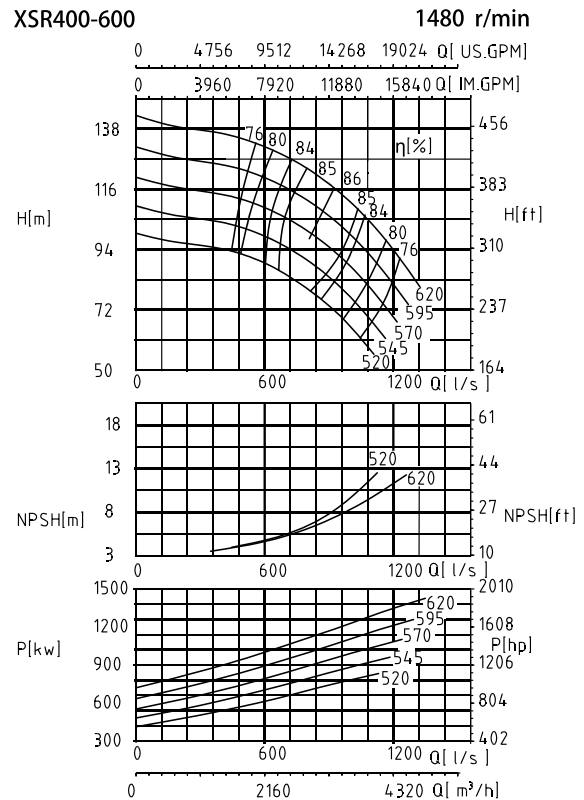
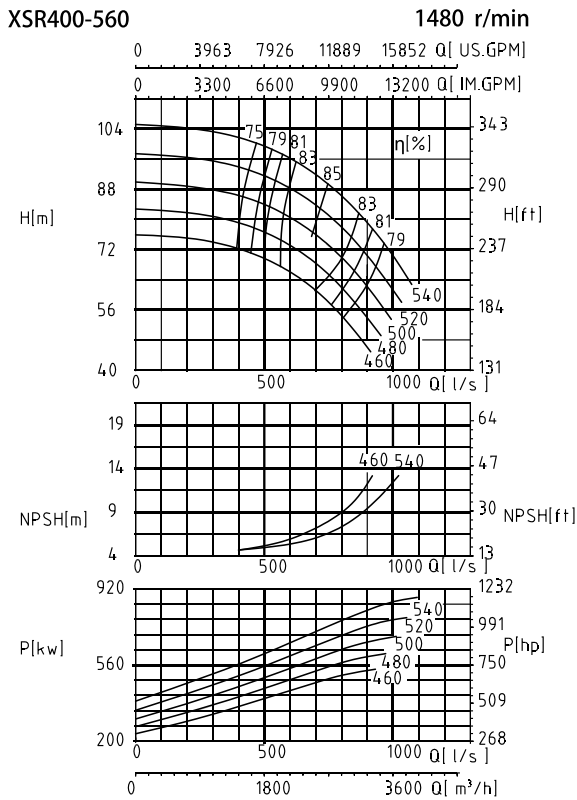
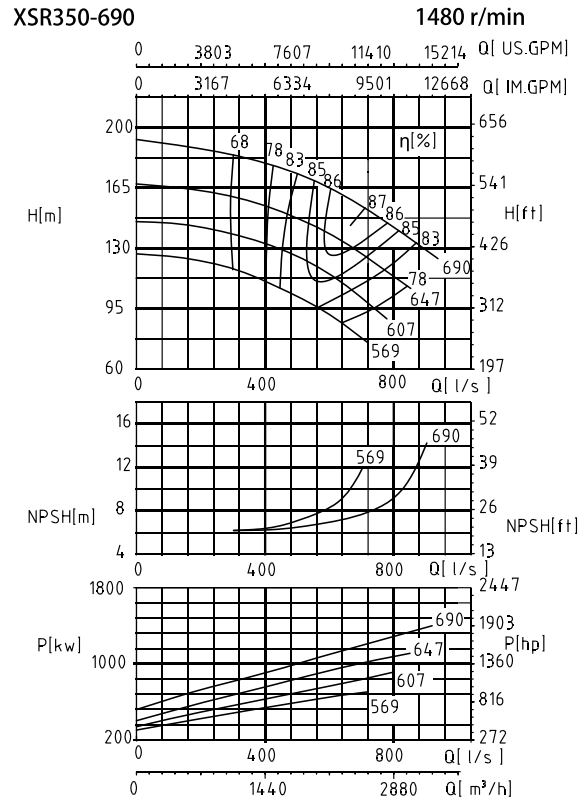
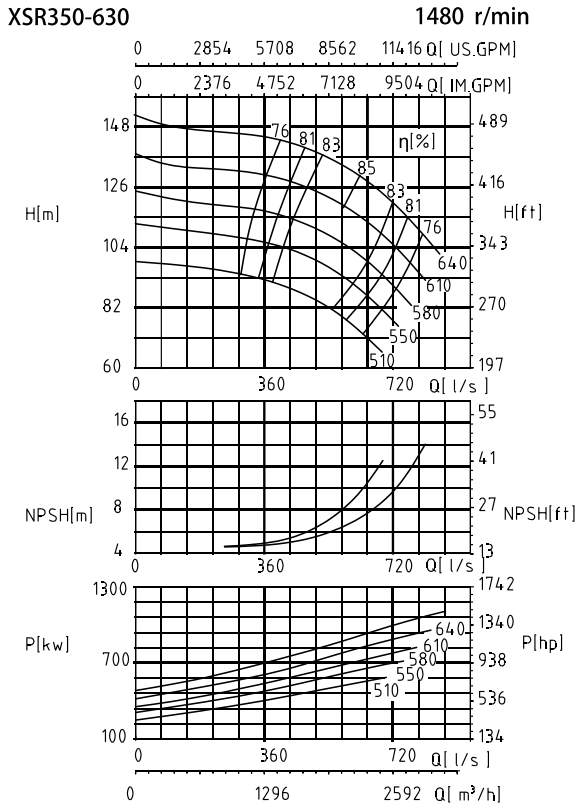


XSR300-850 1480 r/min

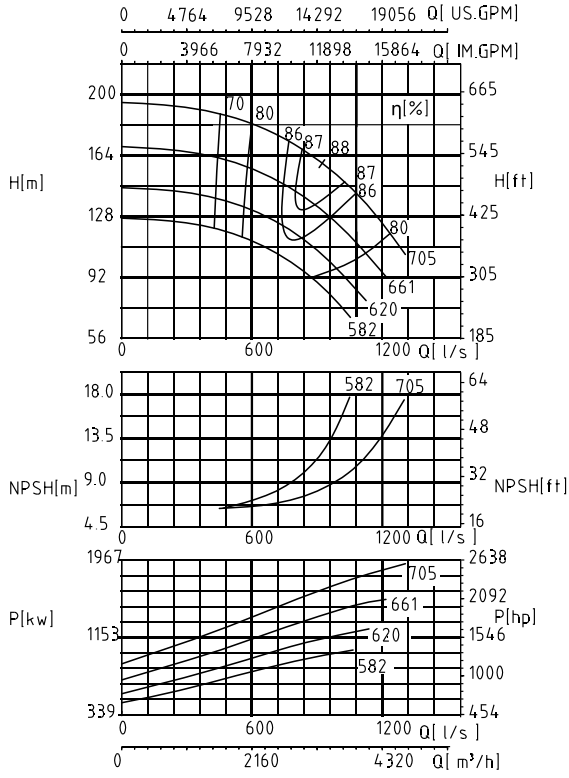


XSR300-875 1480 r/min

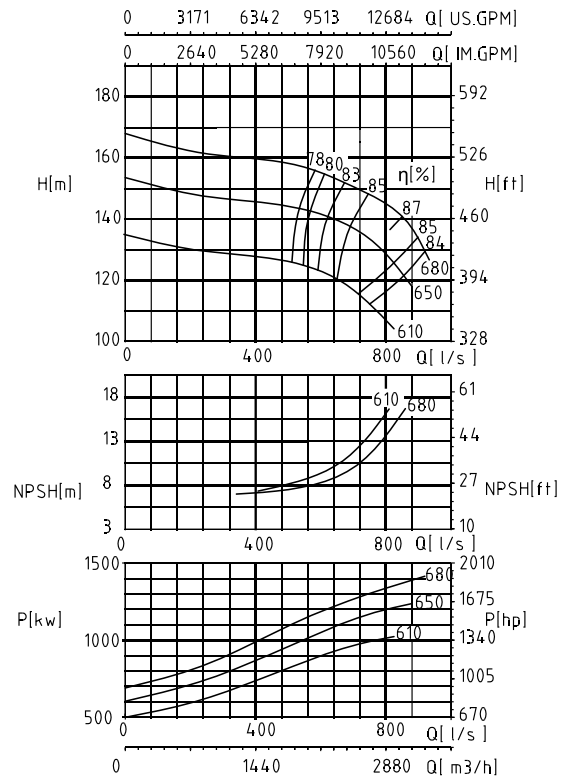




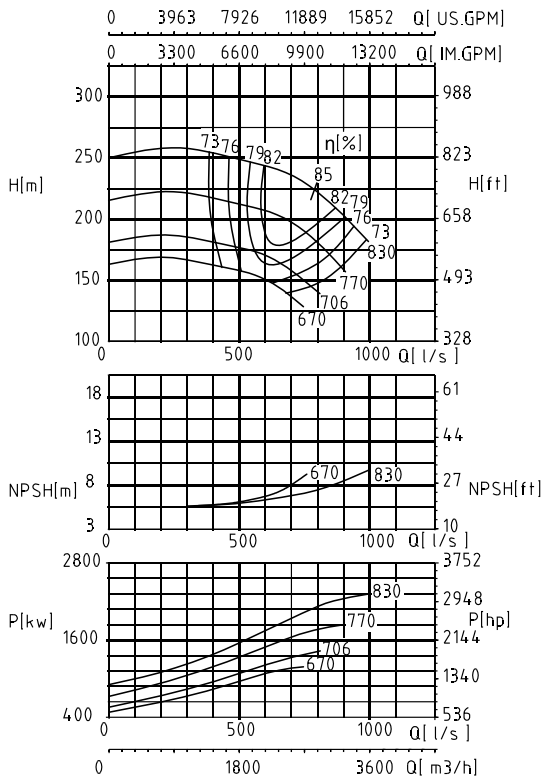
XSR400-675 1480 r/min



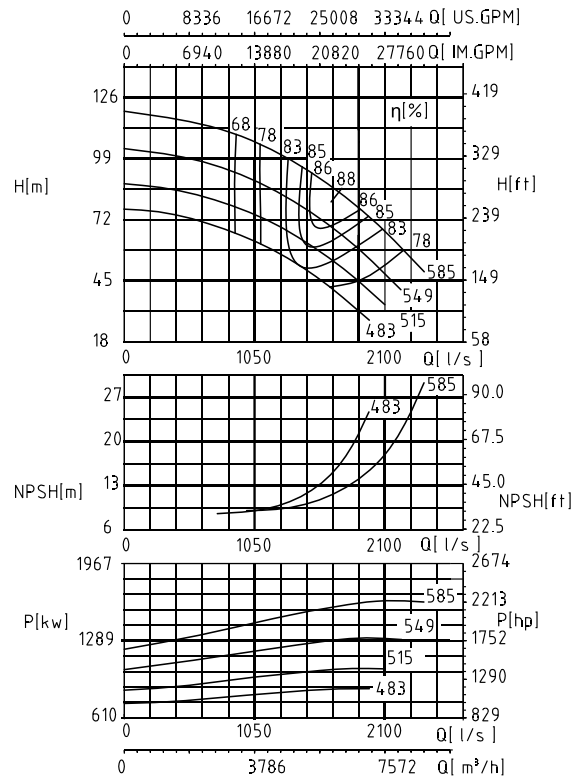
XSR400-690 1480 r/min

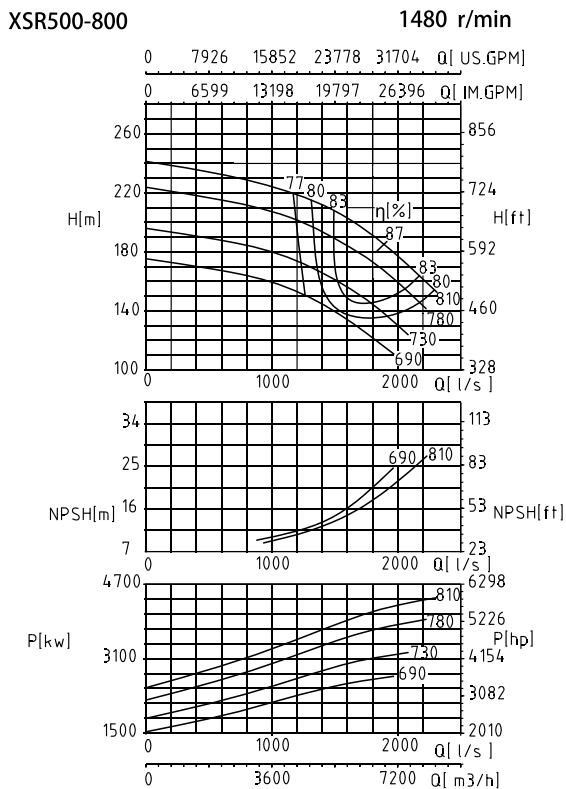
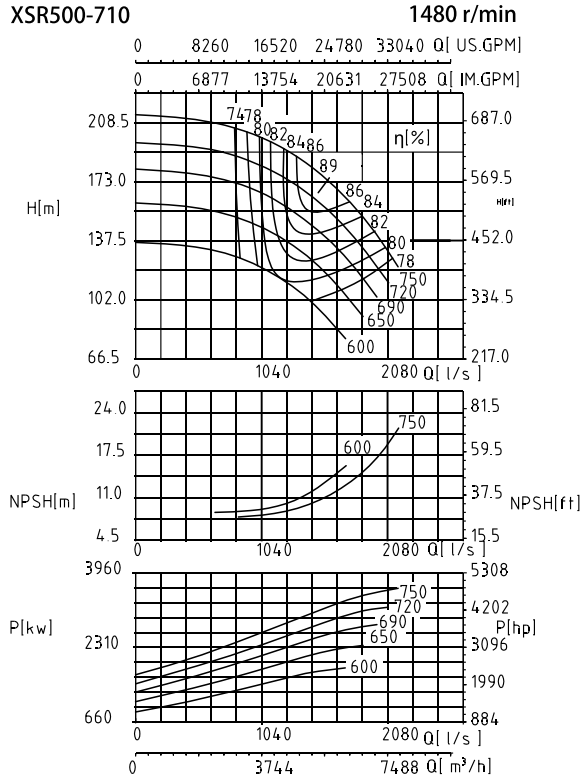
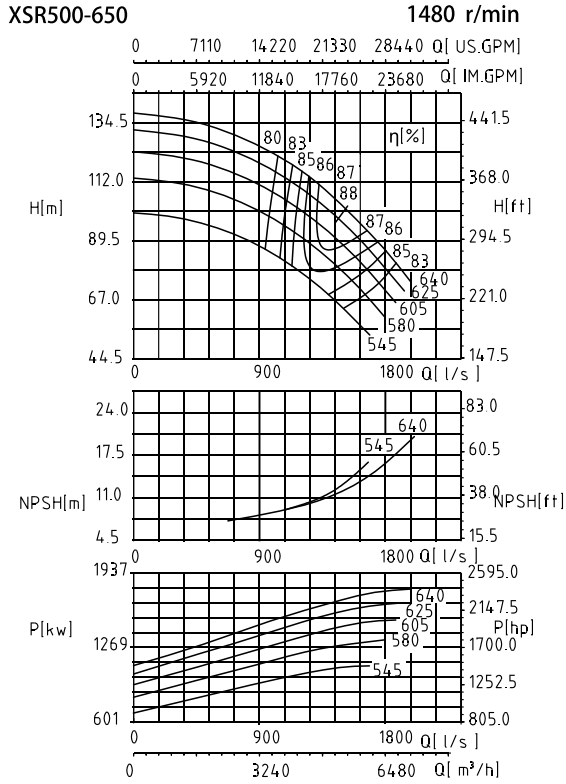


XSR400-800 1480 r/min

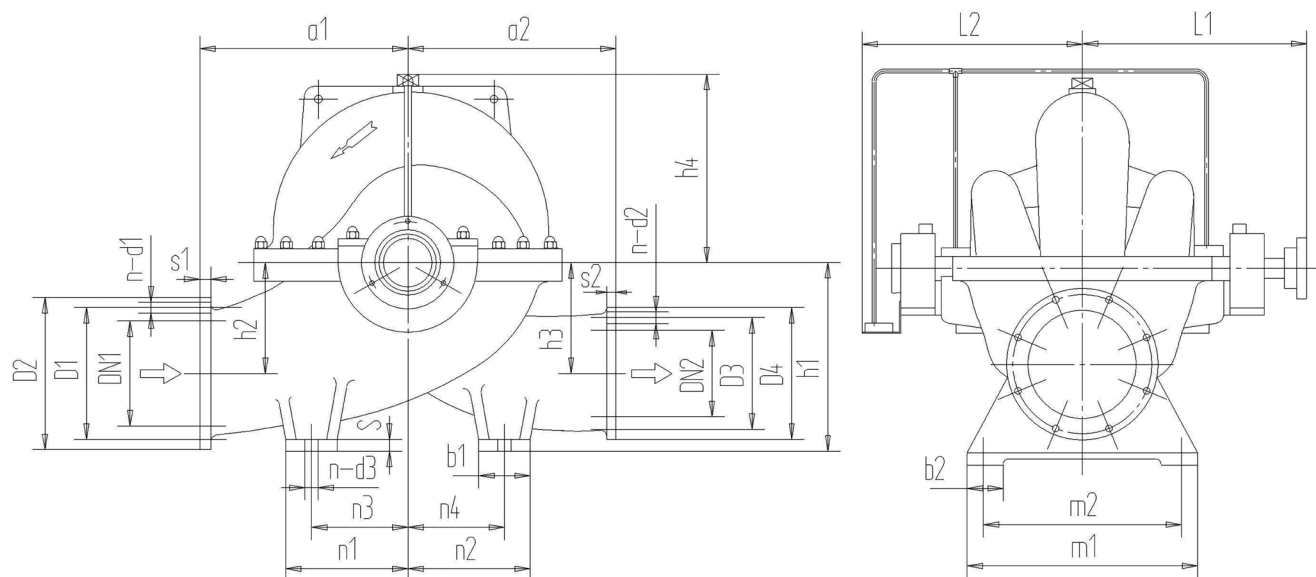


XSR500-585 1480 r/min



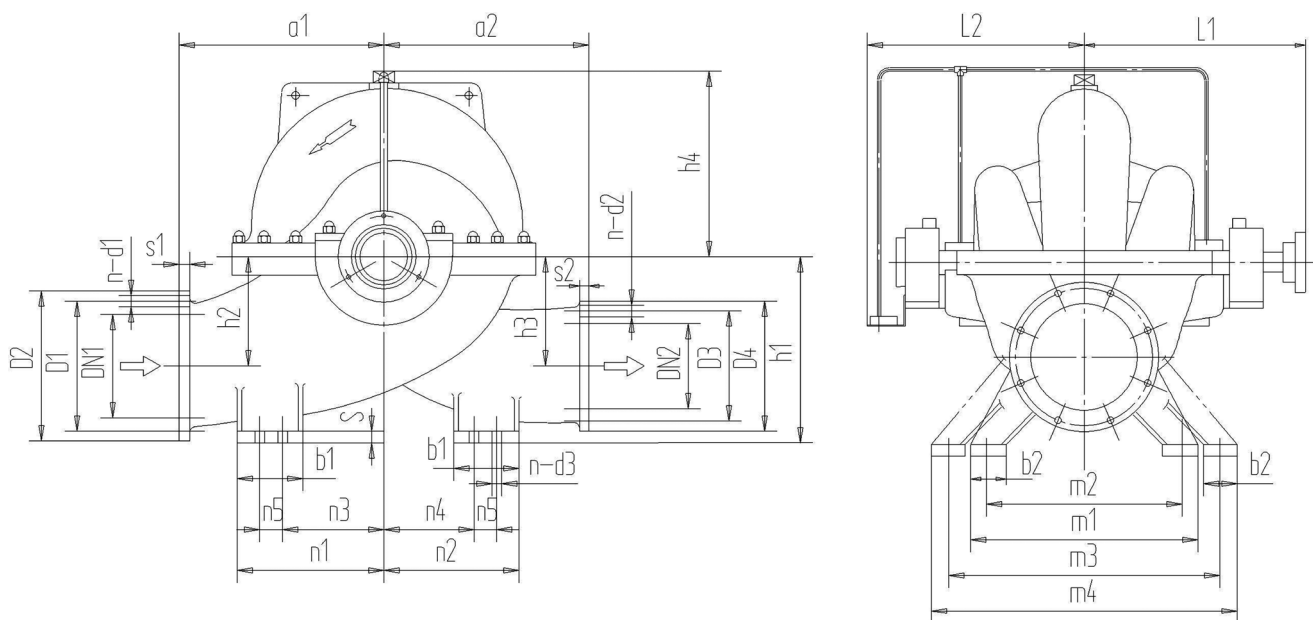


12. 泵 + 电机 + 本身底座外形尺寸 (Pump and Motor and Independent base outline dimension)



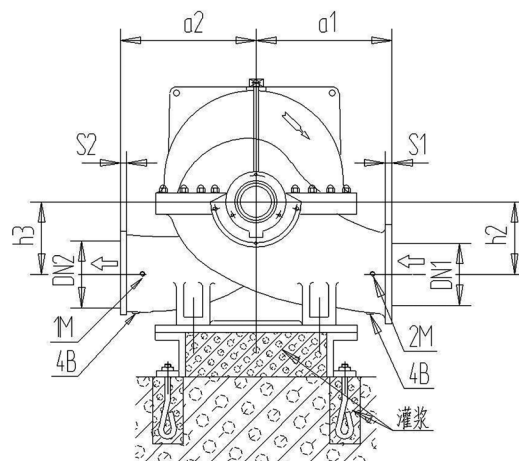
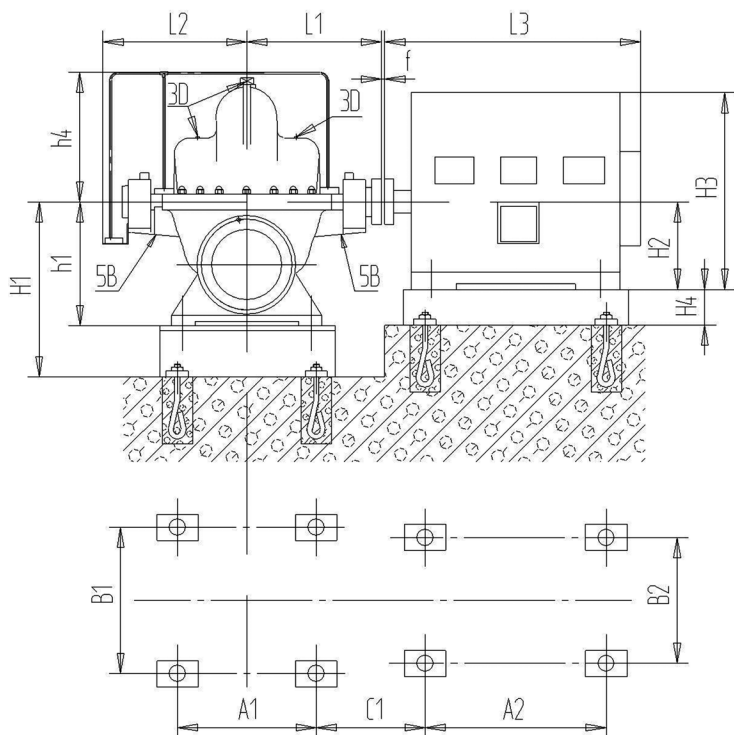
泵型号	进口法兰尺寸					出口法兰尺寸					泵尺寸			
	DN1	D1	D2	s1	n-d1	DN2	D3	D4	s2	n-d2	a1	a2	L1	L2
200-520	250	355	405	48	12-Φ28	200	295	340	41	12-Φ23	600	500	655	664
200-670	250	370	425	48	12-Φ31	200	310	360	41	12-Φ28	650	550	655	664
250-600	300	430	485	51	16-Φ31	250	370	425	48	12-Φ31	650	550	731	716
250-800	300	430	485	51	16-Φ31	250	385	450	48	12-Φ33	800	700	810	795
300-560	400	525	580	57	16-Φ31	300	410	460	51	12-Φ28	700	650	810	795
300-700	400	550	620	57	16-Φ37	300	430	485	51	16-Φ31	750	650	810	795
300-850	350	490	550	44	16-Φ34	300	450	515	46	16-Φ34	960	840	1050	1023
300-875	500	660	730	52	20-Φ37	300	450	515	50	16-Φ34	970	810	1135	1150
400-675	500	660	730	64	20-Φ37	400	550	620	57	16-Φ37	900	800	900	860
400-690	500	650	715	42	20-Φ34	400	550	620	48	16-Φ37	965	800	1095	1105
400-800	500	660	730	52	20-Φ37	400	585	660	62	16-Φ40	970	970	1135	1150

泵型号	泵尺寸													
	h1	h2	h3	h4	m1	m2	b2	n1	n2	n3	n4	b1	S	n-d3
200-520	560	300	300	460	480	430	100	385	385	350	350	70	30	4-Φ23
200-670	600	350	350	530	480	400	100	400	400	350	350	100	40	4-Φ23
250-600	630	350	350	520	600	520	120	400	400	350	350	100	40	4-Φ23
250-800	710	400	400	640	600	520	150	550	550	475	475	150	50	4-Φ23
300-560	710	350	350	510	600	520	120	525	525	475	475	100	40	4-Φ23
300-700	750	400	400	600	600	520	140	525	525	475	475	100	40	4-Φ23
300-850	850	480	480	710	720	600	160	670	670	550	550	240	50	4-Φ35
300-875	850	417	550	710	800	640	200	505	505	375	375	260	60	4-Φ56
400-675	900	450	450	670	730	630	100	640	640	565	565	150	50	4-Φ35
400-690	925	579	540	650	870	770	180	435	435	345	345	200	70	4-Φ42
400-800	900	417	550	710	800	640	200	505	505	375	375	260	60	4-Φ56



泵型号	进口法兰尺寸					出口法兰尺寸					泵尺寸				
	DN1	D1	D2	s1	n-d1	DN2	D3	D4	s2	n-d2	a1	a2	L1	L2	h1
350-630	400	525	580	38	16-Φ31	350	470	520	36	16-Φ28	740	670	900	880	775
350-690	400	550	620	40	16-Φ36	350	490	555	38	16-Φ34	900	750	900	880	900
400-560	500	650	705	42	20-Φ34	400	525	580	40	16-Φ30	800	700	900	885	820
400-600	500	620	670	56	20-Φ28	400	550	620	48	16-Φ37	800	700	1000	940	850
500-585	600	770	840	48	20-Φ37	500	650	715	42	20-Φ34	1100	800	1100	1030	1100
500-650	600	770	840	48	20-Φ37	500	650	715	42	20-Φ34	850	800	1100	1030	920
500-710	600	770	840	48	20-Φ37	500	660	730	52	20-Φ37	1050	850	1100	1020	1000
500-800	600	770	845	56	20-Φ40	500	670	755	52	20-Φ43	1000	900	1120	1020	1050

泵型号	泵尺寸															
	h2	h3	h4	m1	m2	m3	m4	b2	n1	n2	n3	n4	n5	b1	S	n-d3
350-630	460	460	610	570	450	710	830	140	550	490	445	385	/	210	30	4-Φ35
350-690	475	475	650	570	450	710	830	140	750	550	625	425	/	250	35	4-Φ35
400-560	400	460	600	700	550	800	950	200	600	550	475	425	/	250	45	4-Φ35
400-600	490	490	640	700	550	800	950	200	650	550	525	425	/	250	50	4-Φ35
500-585	550	550	780	800	640	940	1100	200	900	600	675	375	150	300	35	8-Φ35
500-650	495	495	690	800	640	940	1100	200	600	600	375	375	150	300	35	8-Φ35
500-710	550	620	725	800	600	1000	1200	200	750	650	525	425	150	300	35	8-Φ35
500-800	600	600	760	825	655	1040	1200	200	800	700	575	475	150	300	60	8-Φ35



连接螺纹尺寸 Connect nut size

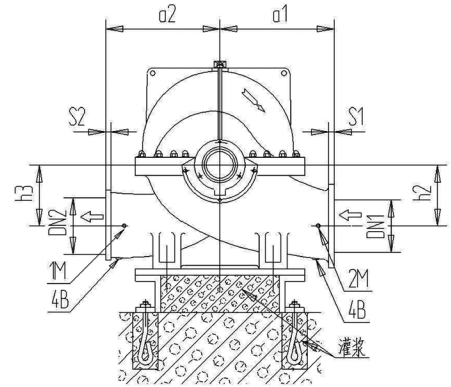
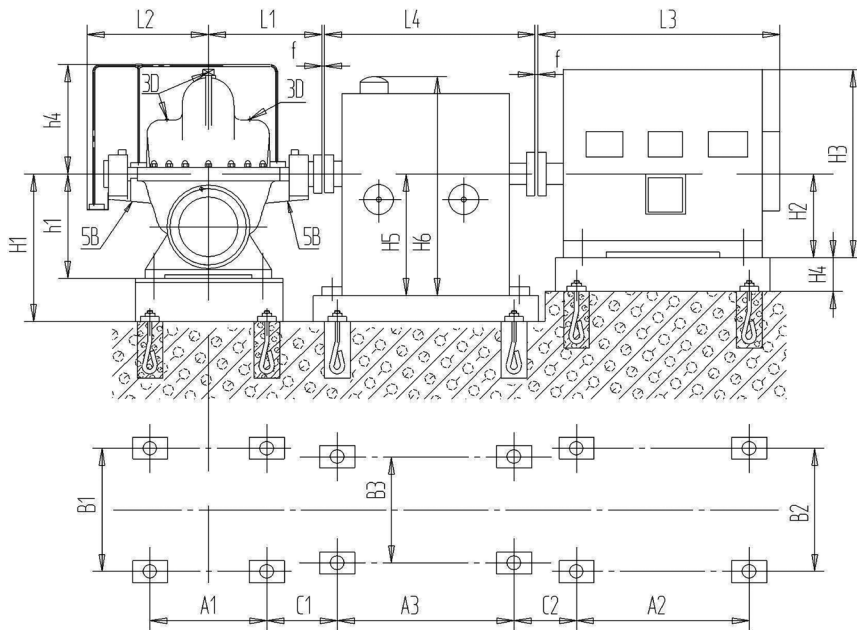
1M	真空表 Vacuum meter
2M	压力表 Pressure meter
3M	排气孔 Vent

泵型号 Pump type	法兰尺寸 Flange size				泵尺寸 Pump size																泵重量 (kg) Weight
	DN1	DN2	s1	s2	a1	a2	L1	L2	H1	h1	h2	h3	h4	A1	B1	1M	2M	3D	4B	5B	
200-520	250	200	48	41	600	500	655	664	740	560	300	300	460	430	700	Rp1/2	Rp1/2	Rp1/2	Rp1/2	Rp1/2	1380
200-670	250	200	48	41	650	550	655	664	780	600	350	350	530	400	700	Rp1/2	Rp1/2	Rp1/2	Rp1/2	Rp1/2	1630
250-600	300	250	51	48	650	550	731	716	810	630	350	350	520	520	700	Rp1/2	Rp1/2	Rp1/2	Rp1/2	Rp1/2	2000
250-800	300	250	51	48	800	700	810	795	890	710	400	400	640	520	990	Rp1/2	Rp1/2	Rp1/2	Rp1/2	Rp1/2	2100
300-560	400	300	57	51	700	650	810	795	890	710	350	350	510	520	950	Rp1/2	Rp1/2	Rp1/2	Rp1/2	Rp1/2	2350
300-700	400	300	57	51	750	650	810	795	930	750	400	400	600	520	950	Rp1/2	Rp1/2	Rp1/2	Rp1/2	Rp1/2	2780
300-850	350	300	44	46	960	840	1050	1023	1060	850	480	480	710	600	1300	Rp1/2	Rp1/2	Rp1/2	Rp1	Rp1	3800
300-875	500	300	52	50	970	810	1135	1150	1060	850	417	550	710	640	950	Rp1/2	Rp1/2	Rp1/2	Rp1	Rp2	4500
350-630	400	350	38	36	740	670	900	880	965	775	460	460	610	710	1000	Rp1/2	Rp1/2	Rp3/4	Rp3/4	Rp3/4	2890
350-690	400	350	40	38	900	750	900	880	1090	900	475	475	850	710	1400	Rp1/2	Rp1/2	Rp3/4	Rp3/4	Rp3/4	2750
400-560	500	400	42	40	800	700	900	885	1030	820	400	460	600	800	1100	Rp1/2	Rp1/2	Rp3/4	Rp3/4	Rp3/4	2970
400-600	500	400	56	48	800	700	1000	940	1060	850	490	490	640	800	1200	Rp1/2	Rp1/2	Rp1	Rp1	Rp1	3220
400-675	500	400	64	57	900	800	900	860	1110	900	450	450	670	600	1200	Rp1/2	Rp1/2	Rp1	Rp1/2	Rp3/4	3220
400-690	500	400	42	48	965	800	1095	1105	1135	925	579	540	650	730	800	Rp1/2	Rp1/2	Rp1	Rp1	Rp1	4580
400-800	500	400	52	62	970	970	1135	1150	1110	900	417	550	710	640	900	Rp1/2	Rp1/2	Rp1/2	Rp1	Rp1	5200
500-585	600	500	48	42	1100	800	1100	1030	1310	1100	550	550	780	940	1700	Rp1/2	Rp1/2	Rp1/2	Rp1	Rp1	4400
500-650	600	500	48	42	850	800	1100	1030	1130	920	495	495	690	940	1100	Rp1/2	Rp1/2	Rp1	Rp1	Rp1	3800
500-710	600	500	48	52	1050	850	1100	1020	1210	1000	550	620	725	1000	1400	Rp1/2	Rp1/2	Rp1	Rp1	Rp1	4900
500-800	600	500	56	52	1000	900	1120	1020	1280	1050	600	600	760	1040	1500	Rp1/2	Rp1/2	Rp1	Rp1	Rp1	6500

泵型号 Pump type	电机型号 Motor type (6kv)	电机功率 Motor power (kw)	A2	B2	C1	f	L3	H2	H3	H4	电机重量 Motor weight (kg)
200-520	YSP315M-4	132	600	600	732	6	1535	315	865	140	1055
	YSP3552-4	200	1100	750	871	6	2320	355	1140	180	1910
	YSP3554-4	250	1100	750	871	6	2320	355	1140	180	2500
	YSP4003-4	355	1200	850	891	6	2480	400	1260	190	2650
200-670	YSP4001-4	280	1200	850	908	6	2480	400	1260	190	2500
	YSP4003-4	355	1200	850	908	6	2480	400	1260	190	2650
	YSP4004-4	400	1200	850	908	6	2480	400	1260	190	2720
	YSP4501-4	500	1300	950	928	6	2740	450	1430	190	3350
250-600	YSP4001-4	280	1200	850	924	6	2480	400	1260	190	2500
	YSP4004-4	400	1200	850	924	6	2480	400	1260	190	2720
	YSP4501-4	500	1300	950	944	6	2740	450	1430	190	3350
	YSP4503-4	630	1300	950	944	6	2740	450	1430	190	3520
250-800	YSP5002-4	900	1450	1050	1185	8	2930	500	1600	220	4340
	YSP5003-4	1000	1450	1050	1170	8	2930	500	1600	220	4590
	YSP5601-4	1250	1600	1150	1210	8	3900	560	2400	220	6770
300-560	YSP4003-4	355	1200	850	1003	6	2480	400	1260	190	2650
	YSP4004-4	400	1200	850	1003	6	2480	400	1260	190	2720
	YSP4502-4	560	1300	950	1025	8	2740	450	1430	190	3430
	YSP4504-4	710	1300	950	1025	8	2740	450	1430	190	3640
300-700	YSP4503-4	630	1300	950	1025	8	2740	450	1430	190	3520
	YSP4504-4	710	1300	950	1025	8	2740	450	1430	190	3640
	YSP5003-4	1000	1450	1050	1185	8	2930	500	1600	220	4590
	YSP5601-4	1250	1600	1150	1210	8	3900	560	2400	240	6770
300-850	YSP5601-4	1250	1600	1150	1410	8	3900	560	2400	240	6770
	YSP5603-4	1600	1600	1150	1410	8	3900	560	2400	240	8230
	YSP6301-4	1800	1800	1300	1490	8	4060	630	2700	240	9450
	YSP6302-4	2000	1800	1300	1490	8	4060	630	2700	240	9750
300-875	YSP6302-4	2000	1800	1300	1555	8	4060	630	2700	240	9750
	YSP6302-4	2500	1800	1300	1555	8	3100	630	2050	240	9270
	YSP6303-4	2800	1800	1300	1555	8	3100	630	2050	240	9490
350-630	YSP4503-4	630	1300	950	980	8	2740	450	1430	190	3520
	YSP4504-4	710	1300	950	980	8	2740	450	1430	190	3640
	YSP5002-4	900	1450	1050	1140	8	2930	500	1600	220	4340
	YSP5003-4	1000	1450	1050	1140	8	2930	500	1600	220	4590
	YSP5601-4	1250	1600	1150	1165	8	3900	560	2400	240	6770
350-690	YSP5001-4	800	1450	1050	1178	8	2930	500	1600	220	4100
	YSP5002-4	900	1450	1050	1178	8	2930	500	1600	220	4340
	YSP5601-4	1250	1600	1150	1203	8	3900	560	2400	240	6770
	YSP5602-4	1400	1600	1150	1203	8	3900	560	2400	240	7880

泵型号 Pump type	电机型号 Motor type (6kv)	电机功率 Motor power (kw)	A2	B2	C1	f	L3	H2	H3	H4	电机重量 Motor weight (kg)
400-560	YSP4502-4	560	1300	950	940	8	2740	450	1430	190	3430
	YSP4503-4	630	1300	950	940	8	2740	450	1430	190	3520
	YSP4504-4	710	1300	950	940	8	2740	450	1430	190	3640
	YSP5001-4	800	1450	1050	1100	8	2930	500	1600	220	4100
	YSP5002-4	900	1450	1050	1100	8	2930	500	1600	220	4340
400-600	YSP5001-4	800	1450	1050	1195	8	2930	500	1600	220	4100
	YSP5002-4	900	1450	1050	1195	8	2930	500	1600	220	4340
	YSP5004-4	1120	1450	1050	1195	8	2930	500	1600	220	4900
	YSP5601-4	1250	1600	1150	1220	8	3900	560	2400	240	6770
	YSP5603-4	1600	1600	1150	1220	8	3900	560	2400	240	8230
400-675	YSP5004-4	1120	1450	1050	1189	8	2930	500	1600	220	4900
	YSP5602-4	1400	1600	1150	1214	8	3900	560	2400	240	7880
	YSP5603-4	1600	1600	1150	1020	8	3900	560	2400	240	8230
	YSP6302-4	2000	1800	1300	1294	8	4060	630	2700	240	9750
400-690	YSP5601-4	1250	1600	1150	1390	8	3900	560	2400	240	6770
	YSP5602-4	1400	1600	1150	1390	8	3900	560	2400	240	7880
	YSP5603-4	1600	1600	1150	1390	8	3900	560	2400	240	8230
400-800	YSP6302-4	2000	1800	1300	1555	8	4060	630	2700	240	9750
	YSP6302-4	2500	1800	1300	1555	8	3100	630	2050	240	9270
	YSP6303-4	2800	1800	1300	1555	8	3100	630	2050	240	9490
500-585	YSP5003-4	1000	1450	1050	1263	8	2930	500	1600	220	4590
	YSP5601-4	1250	1600	1150	1288	8	3900	560	2400	240	6770
	YSP5602-4	1400	1600	1150	1288	8	3900	560	2400	240	7880
	YSP6301-4	1800	1800	1300	1368	8	4060	630	2700	240	9450
500-650	YSP5004-4	1120	1450	1050	1215	8	2930	500	1600	220	4900
	YSP5602-4	1400	1600	1150	1240	8	3900	560	2400	240	7880
	YSP5603-4	1600	1600	1150	1240	8	3900	560	2400	240	8230
	YSP6301-4	1800	1800	1300	1320	8	4060	630	2700	240	9450
	YSP6302-4	2000	1800	1300	1320	8	4060	630	2700	240	9750
500-710	YSP6302-4	2000	1800	1300	1282	8	4060	630	2700	240	9750
	YSP6302-4	2500	1800	1300	1282	8	4060	630	2700	240	9270
	YKS710-1-4	3150	2000	1550	1332	8	3200	710	2380	270	11500
	YKS710-2-4	3550	2000	1550	1332	8	3200	710	2380	270	12000
	YKS710-3-4	4000	2000	1550	1332	8	3200	710	2380	270	12500
500-800	YKS710-1-4	3150	2000	1550	1332	8	3200	710	2380	270	11500
	YKS710-2-4	3550	2000	1550	1332	8	3200	710	2380	270	12000
	YKS710-3-4	4000	2000	1550	1332	8	3200	710	2380	270	12500

13. 泵 + 液力耦合器 + 电机 + 本身底座外形尺寸 (Pump and Variable speed couplings and Motor and Independent base outline dimension)



连接螺纹尺寸 Connect nut size

1M	真空表 Vacuum meter
2M	压力表 Pressure meter
3D	排气孔 Vent
4B	排水孔 Scupper
5B	漏液排出孔 Leakage vent

泵型号 Pump type	法兰尺寸 Flange size				泵尺寸 Pump size															泵重量 (kg) Weight	
	DN1	DN2	s1	s2	a1	a2	L1	L2	H1	h1	h2	h3	h4	A1	B1	1M	2M	3D	4B		5B
200-520	250	200	48	41	600	500	655	664	740	560	300	300	460	430	700	Rp1/2	Rp1/2	Rp1/2	Rp1/2	Rp1/2	1380
200-670	250	200	48	41	650	550	655	664	780	600	350	350	530	400	700	Rp1/2	Rp1/2	Rp1/2	Rp1/2	Rp1/2	1630
250-600	300	250	51	48	650	550	731	716	810	630	350	350	515	520	700	Rp1/2	Rp1/2	Rp1/2	Rp1/2	Rp1/2	2000
250-800	300	250	51	48	800	700	810	795	890	710	400	400	620	520	990	Rp1/2	Rp1/2	Rp1/2	Rp1/2	Rp1/2	2100
300-560	400	300	57	51	700	650	810	795	890	710	350	350	504	520	950	Rp1/2	Rp1/2	Rp1/2	Rp1/2	Rp1/2	2350
300-700	400	300	57	51	750	650	810	795	930	750	400	400	600	520	950	Rp1/2	Rp1/2	Rp1/2	Rp1/2	Rp1/2	2780
300-850	350	300	44	46	960	840	1050	1023	1060	850	480	480	710	600	1300	Rp1/2	Rp1/2	Rp1/2	Rp1	Rp1	3800
300-875	500	300	52	50	970	810	1135	1145	1060	850	417	550	735	640	950	Rp1/2	Rp1/2	Rp1/2	Rp1	Rp2	4500
350-630	400	350	38	36	740	670	860	680	965	775	460	460	509	710	1050	Rp1/2	Rp1/2	Rp3/4	Rp3/4	Rp3/4	2890
350-690	400	350	40	38	900	750	900	880	1090	900	475	475	850	710	1400	Rp1/2	Rp1/2	Rp1	Rp1	Rp1	4580
400-560	500	400	42	40	800	700	865	685	1030	820	400	460	500	800	1150	Rp1/2	Rp1/2	Rp3/4	Rp3/4	Rp3/4	2970
400-600	500	400	56	48	800	700	960	738	1060	850	490	490	538	800	1250	Rp1/2	Rp1/2	Rp1	Rp1	Rp1	3220
400-675	500	400	64	57	900	800	854	660	1110	900	450	450	570	600	1250	Rp1/2	Rp1/2	Rp1	Rp1/2	Rp3/4	3220
400-690	500	400	42	48	965	800	1095	1105	1135	925	579	540	650	730	850	Rp1/2	Rp1/2	Rp1	Rp1	Rp1	4580
400-800	500	400	52	62	970	970	1135	1150	1110	900	417	550	780	640	950	Rp1/2	Rp1/2	Rp1/2	Rp1	Rp2	5200
500-585	600	500	48	42	1100	800	1100	1030	1310	1100	550	550	780	940	1700	Rp1/2	Rp1/2	Rp1/2	Rp1	Rp1	4400
500-650	600	500	48	42	850	800	1050	828	1130	920	495	495	587	940	1150	Rp1/2	Rp1/2	Rp1	Rp1	Rp1	3800
500-710	600	500	48	52	1050	850	1042	815	1210	1000	550	620	625	1000	1400	Rp1/2	Rp1/2	Rp1	Rp1	Rp1	4900
500-800	600	500	56	52	1000	900	1120	1020	1280	1050	600	600	700	1040	1500	Rp1/2	Rp1/2	Rp1	Rp1	Rp1	6500

泵型号 Pump type	液力耦合器型号 Variable speed couplings type	电机型号 Motor type (6kv)	C1	C2	f	A2	B2	A3	B3	L3	L4	H2	H3	H4	H5	H6	电机重量 Motor weight (kg)	液力耦合器重量 Variable speed couplings weight (kg)
200-520	YOTes500	YSP315M-4	488	336	6	600	600	940	865	1535	1024	315	865	140	635	1375	1055	980
	YOTes500	YSP3552-4	488	475	6	1100	750	940	865	2320	1024	355	1140	180	635	1375	1910	980
	YOTes560	YSP3554-4	488	475	6	1100	750	940	865	2320	1024	355	1140	180	635	1375	2500	1080
	YOTes560	YSP4003-4	488	495	6	1200	850	940	865	2480	1024	400	1260	190	635	1375	2650	1080
200-670	YOTes560	YSP4001-4	503	495	6	1200	710	940	865	2480	1024	400	1260	190	635	1375	2500	1080
	YOTes560	YSP4003-4	503	495	6	1200	710	940	865	2480	1024	400	1260	190	635	1375	2650	1080
	YOTes650	YSP4004-4	523	495	6	1200	710	1180	900	2480	1304	400	1260	190	840	1350	2720	1850
	YOTes650	YSP4501-4	523	535	6	1320	800	1180	900	2740	1304	450	1430	190	840	1350	3350	1850
250-600	YOTes560	YSP4001-4	519	495	6	1200	710	940	865	2480	1024	400	1260	190	635	1375	2500	1080
	YOTes650	YSP4004-4	539	495	6	1200	710	1180	900	2480	1304	400	1260	190	840	1350	2720	1850
	YOTes650	YSP4501-4	539	535	6	1320	800	1180	900	2740	1304	450	1430	190	840	1350	3350	1850
	YOTes650	YSP4503-4	539	535	6	1320	800	1180	900	2740	1304	450	1430	190	840	1350	3520	1850
250-800	YOTes750	YSP5002-4	620	697	8	1450	900	1180	900	2930	1304	500	1600	220	840	1350	4340	2060
	YOTes750	YSP5003-4	620	697	8	1450	900	1180	900	2930	1304	500	1600	220	840	1350	4590	2060
	YOTes750	YSP5601-4	620	722	8	1600	1000	1180	900	3900	1304	560	2400	220	840	1350	6770	2060
300-560	YOTes560	YSP4003-4	598	495	6	1200	710	940	865	2480	1024	400	1260	190	840	1350	2650	1080
	YOTes650	YSP4004-4	618	495	6	1200	710	1180	900	2480	1304	400	1260	190	840	1350	2720	1850
	YOTes650	YSP4502-4	618	537	8	1320	800	1180	900	2740	1304	450	1430	190	840	1350	3430	1850
	YOTes650	YSP4504-4	618	537	8	1320	800	1180	900	2740	1304	450	1430	190	840	1350	3640	1850
300-700	YOTes650	YSP4503-4	620	537	8	1320	800	1180	900	2740	1304	450	1430	190	840	1350	3520	1850
	YOTes650	YSP4504-4	620	537	8	1320	800	1180	900	2740	1304	450	1430	190	840	1350	3640	1850
	YOTes750	YSP5003-4	620	697	8	1450	900	1180	900	2930	1304	500	1600	220	840	1350	4590	2060
	YOTes750	YSP5601-4	620	722	8	1600	1000	1180	900	3900	1304	560	2400	240	840	1350	6770	2060
300-850	YOTes750	YSP5601-4	820	722	8	1600	1000	1180	900	3900	1304	560	2400	240	840	1350	6770	2060
	YOTes750	YSP5603-4	820	722	8	1600	1000	1180	900	3900	1304	560	2400	240	840	1350	8230	2060
	YOTes875	YSP6301-4	820	812	8	1800	1120	1580	1200	4060	1724	630	2700	240	950	1640	9450	3750
	YOTes875	YSP6302-4	820	812	8	1800	1120	1580	1200	4060	1724	630	2700	240	950	1640	9750	3750
300-875	YOTes875	YSP6302-4	895	812	8	1800	1120	1580	1200	4060	1724	630	2700	240	950	1640	9750	3750
	YOTes875	YSP6302-4	905	812	8	1800	1120	1580	1200	3100	1724	630	2050	240	950	1640	9270	3750
	YOTes875	YSP6303-4	905	812	8	1800	1120	1580	1200	3100	1724	630	2050	240	950	1640	9490	3750
350-630	YOTes650	YSP4503-4	575	537	8	1320	800	1180	900	2740	1304	450	1430	190	840	1350	3520	1850
	YOTes650	YSP4504-4	575	537	8	1320	800	1180	900	2740	1304	450	1430	190	840	1350	3640	1850
	YOTes750	YSP5002-4	575	697	8	1450	900	1180	900	2930	1304	500	1600	220	840	1350	4340	2060
	YOTes750	YSP5003-4	575	697	8	1450	900	1180	900	2930	1304	500	1600	220	840	1350	4590	2060
	YOTes750	YSP5601-4	575	720	8	1600	1000	1180	900	3900	1304	560	2400	240	840	1350	6770	2060
350-690	YOTes750	YSP5001-4	615	693	8	1450	1050	1180	900	2930	1304	500	1600	220	840	1350	4100	2060
	YOTes750	YSP5002-4	615	693	8	1450	1050	1180	900	2930	1304	500	1600	220	840	1350	4340	2060
	YOTes750	YSP5601-4	615	718	8	1600	1150	1180	900	3900	1304	560	2400	240	840	1350	6770	2060
	YOTes750	YSP5602-4	615	718	8	1600	1150	1180	900	3900	1304	560	2400	240	840	1350	7880	2060

泵型号 Pump type	液力耦合器型号 Variable speed couplings type	电机型号 Motor type (6kv)	C1	C2	f	A2	B2	A3	B3	L3	L4	H2	H3	H4	H5	H6	电机重量 Motor weight (kg)	液力耦合器重量 (kg) Variable speed couplings weight
400-560	YOTes650	YSP4502-4	535	537	8	1320	800	1180	900	2740	1304	450	1430	190	840	1350	3430	1850
	YOTes650	YSP4503-4	535	537	8	1320	800	1180	900	2740	1304	450	1430	190	840	1350	3520	1850
	YOTes650	YSP4504-4	535	537	8	1320	800	1180	900	2740	1304	450	1430	190	840	1350	3640	1850
	YOTes750	YSP5001-4	535	697	8	1450	900	1180	900	2930	1304	500	1600	220	840	1350	4100	2060
	YOTes750	YSP5002-4	535	697	8	1450	900	1180	900	2930	1304	500	1600	220	840	1350	4340	2060
400-600	YOTes750	YSP5001-4	630	697	8	1450	900	1180	900	2930	1304	500	1600	220	840	1350	4100	2060
	YOTes750	YSP5002-4	630	697	8	1450	900	1180	900	2930	1304	500	1600	220	840	1350	4340	2060
	YOTes750	YSP5004-4	630	697	8	1450	900	1180	900	2930	1304	500	1600	220	840	1350	4900	2060
	YOTes750	YSP5601-4	630	722	8	1600	1000	1180	900	3900	1304	560	2400	240	840	1350	6770	2060
	YOTes750	YSP5603-4	630	722	8	1600	1000	1180	900	3900	1304	560	2400	240	840	1350	8230	2060
400-675	YOTes750	YSP5004-4	624	697	8	1450	900	1180	900	2930	1304	500	1600	220	840	1350	4900	2060
	YOTes750	YSP5602-4	624	722	8	1600	1000	1180	900	3900	1304	560	2400	240	840	1350	7880	2060
	YOTes750	YSP5603-4	624	722	8	1600	1000	1180	900	3900	1304	560	2400	240	840	1350	8230	2060
	YOTes875	YSP6302-4	634	812	8	1800	1120	1580	1200	4060	1724	630	2700	240	950	1640	9750	3750
400-690	YOTes750	YSP5601-4	800	722	8	1600	1000	1180	900	3900	1304	560	2400	240	840	1350	6770	2060
	YOTes750	YSP5602-4	800	722	8	1600	1000	1180	900	3900	1304	560	2400	240	840	1350	7880	2060
	YOTes750	YSP5603-4	800	722	8	1600	1000	1180	900	3900	1304	560	2400	240	840	1350	8230	2060
400-800	YOTes875	YSP6302-4	895	812	8	1800	1120	1580	1200	4060	1724	630	2700	240	950	1640	9750	3750
	YOTes875	YSP6302-4	905	812	8	1800	1120	1580	1200	3100	1724	630	2050	240	950	1640	9270	3750
	YOTes875	YSP6303-4	905	812	8	1800	1120	1580	1200	3100	1724	630	2050	240	950	1640	9490	3750
500-585	YOTes750	YSP5003-4	700	697	8	1450	1050	1180	900	2930	1304	500	1600	220	840	1350	4590	2060
	YOTes750	YSP5601-4	700	722	8	1600	1150	1180	900	3900	1304	560	2400	240	840	1350	6770	2060
	YOTes750	YSP5602-4	700	722	8	1600	1150	1180	900	3900	1304	560	2400	240	840	1350	7880	2060
	YOTes875	YSP6301-4	710	812	8	1800	1300	1580	1200	4060	1724	630	2700	240	950	1640	9450	3750
500-650	YOTes750	YSP5004-4	650	697	8	1450	900	1180	900	2930	1304	500	1600	220	840	1350	4900	2060
	YOTes750	YSP5602-4	650	697	8	1600	1000	1180	900	3900	1304	560	2400	240	840	1350	7880	2060
	YOTes750	YSP5603-4	650	697	8	1600	1000	1180	900	3900	1304	560	2400	240	840	1350	8230	2060
	YOTes875	YSP6301-4	650	812	8	1800	1120	1580	1200	4060	1724	630	2700	240	950	1640	9450	3750
	YOTes875	YSP6302-4	650	812	8	1800	1120	1580	1200	4060	1724	630	2700	240	950	1640	9750	3750
500-710	YOTes875	YSP6302-4	622	812	8	1800	1120	1580	1200	4060	1724	630	2700	240	950	1640	9750	3750
	YOTes875	YSP6302-4	622	812	8	1800	1120	1580	1200	4060	1724	630	2700	240	950	1640	9270	3750
	YOTes875	YKS710-1-4	622	862	8	2000	140	1580	1200	3200	1724	710	2380	270	950	1640	11500	3750
	YOTes875	YKS710-2-4	622	862	8	2000	140	1580	1200	3200	1724	710	2380	270	950	1640	12000	3750
	YOTes875	YKS710-3-4	622	862	8	2000	140	1580	1200	3200	1724	710	2380	270	950	1640	12500	3750
500-800	YOTes875	YKS710-1-4	622	862	8	2000	140	1580	1200	3200	1724	710	2380	270	950	1640	11500	3750
	YOTes875	YKS710-2-4	622	862	8	2000	140	1580	1200	3200	1724	710	2380	270	950	1640	12000	3750
	YOTes875	YKS710-3-4	622	862	8	2000	140	1580	1200	3200	1724	710	2380	270	950	1640	12500	3750