

ONESTO[®]

www.onesto.cn

ONESTO ELECTRIC Co., Ltd.

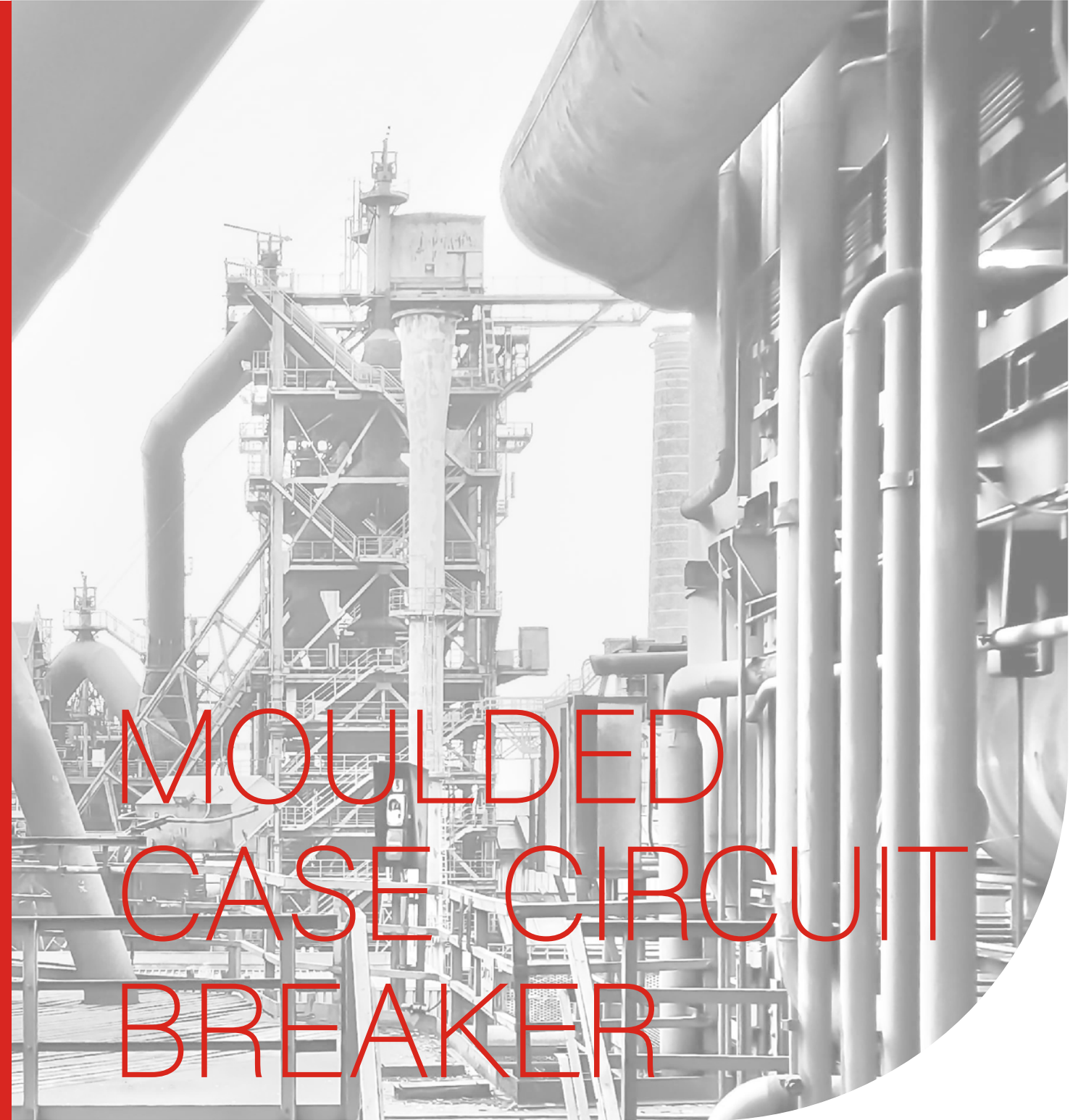
Room 1601-1603, Yueshang Mansion,
No.2088 Wenzhou Avenue, Wenzhou,
China. 325000

TEL. 0086 577 8676 0560
FAX. 0086 577 8676 0580
E-MAIL. onesto@onestoelectric.com



© 2021-2022 Zhejiang ONESTO Electric Co., Ltd. All rights reserved.
We reserve the right to amend any information included in this publication without prior notice. Such modifications, along with errors and printing errata, shall not constitute grounds for compensation.

2021.9.10



MOULDED CASE CIRCUIT BREAKER

2022-2023

ONESTO[®]

Frame size current		125					160					250					400					630					1250				
Rated current (A)		10,16,20,25,32,35,40,50,63,70,80,90,100,125					25,32,35,40,50,63,70,80,90,100,125,140,150,160					125,140,150,160,175,180,200,225,250					250,280,300,315,350,400					250,280,300,315,350,400,500,630					630,700,800,1000,1250				
Rated insulation voltage (V)		1000V					1000V					1000V					1000V					1000V					1000V				
Rated operational voltage (V)		400V					400V					400V					400V					400V					400V				
Number of poles		3,4					3,4					3,4					3,4					3,4					3,4				
Reference picture																															
Breaking capacity code		H	S	M	L	R	H	S	M	L	R	H	S	M	L	R	H	S	M	L	R	H	S	M	L	R	H	S	M	L	R
Rated ultimate short-circuit breaking capacity I _{cu} (kA,RMS)	AC 400V	25	20	18	15	15	35	25	20	15	25	35	25	20	15	25	50	35	30	20	30	50	35	30	20	30	65	50	35	30	35
Rated service short-circuit breaking capacity I _{cs} (kA,RMS)	AC400V	18	15	15	10	10	25	18	15	10	18	25	18	15	10	18	35	25	20	15	20	35	25	20	15	20	50	35	25	20	25
Mechanical life		9000					7000					7000					4000					4000					4000				
Electrical life		6000					3000					3000					2000					2000					1500				
Thermal adjustable range(I _r)		(0.8-1.0)I _n					(0.8-1.0)I _n					(0.8-1.0)I _n					(0.8-1.0)I _n					(0.8-1.0)I _n					(0.8-1.0)I _n				
Magnetic adjustable range(I _i)		-					(5-10)I _n ±20%					(5-10)I _n ±20%					(5-10)I _n ±20%					(5-10)I _n ±20%					(5-10)I _n ±20%				
Automatic release device		Thermal electromagnetic type					Thermal electromagnetic type					Thermal electromagnetic type					Thermal electromagnetic type					Thermal electromagnetic type					Thermal electromagnetic type				
Electric operating device		■					■					■					■					■					■				
External manual operating handle		■					■					■					■					■					■				
Plug in base		■					■					■					■					■					■				
Shunt release		■					■					■					■					■					■				
Under-voltage release		■					■					■					■					■					■				
Auxiliary contact		■					■					■					■					■					■				
Alarm contact		■					■					■					■					■					■				

KCM5F-125 Series



TECHNICAL DATA

Number of poles : 3P and 4P
 Rated current (In) : 10A-125A
 Rated operational voltage (Ue) : 400 V AC
 Rated insulation voltage (Ui) : 1000 V AC
 Rated impulse withstand voltage (Uimp) : 6 kV
 Rated frequency : 50/60 Hz
 Reference temperature : +40°C or +55 °C
 Type of release: Thermo-magnetic
 Utilization category: A
 Conformity standard : IEC 60947-2

KCM5F-125H Icu(400V)=25kA Ics(400V)=18kA

Rated current (In)	Cat. Nos.	
	3P	4P
10A	230 01	230 21
16A	230 02	230 22
20A	230 03	230 23
25A	230 04	230 24
32A	230 05	230 25
35A	230 06	230 26
40A	230 07	230 27
50A	230 08	230 28
63A	230 09	230 29
70A	230 10	230 30
80A	230 11	230 31
90A	230 12	230 32
100A	230 13	230 33
125A	230 14	230 34

KCM5F-125S Icu(400V)=20kA Ics(400V)=15kA

Rated current (In)	Cat. Nos.	
	3P	4P
10A	230 41	230 61
16A	230 42	230 62
20A	230 43	230 63
25A	230 44	230 64
32A	230 45	230 65
35A	230 46	230 66
40A	230 47	230 67
50A	230 48	230 68
63A	230 49	230 69
70A	230 50	230 70
80A	230 51	230 71
90A	230 52	230 72
100A	230 53	230 73
125A	230 54	230 74

KCM5F-125M Icu(400V)=18kA Ics(400V)=15kA

Rated current (In)	Cat. Nos.	
	3P	4P
10A	230 81	231 01
16A	230 82	231 02
20A	230 83	231 03
25A	230 84	231 04
32A	230 85	231 05
35A	230 86	231 06
40A	230 87	231 07
50A	230 88	231 08
63A	230 89	231 09
70A	230 90	231 10
80A	230 91	231 11
90A	230 92	231 12
100A	230 93	231 13
125A	230 94	231 14

KCM5F-125L Icu(400V)=15kA Ics(400V)=10kA

Rated current (In)	Cat. Nos.	
	3P	4P
10A	231 21	231 41
16A	231 22	231 42
20A	231 23	231 43
25A	231 24	231 44
32A	231 25	231 45
35A	231 26	231 46
40A	231 27	231 47
50A	231 28	231 48
63A	231 29	231 49
70A	231 30	231 50
80A	231 31	231 51
90A	231 32	231 52
100A	231 33	231 53
125A	231 34	231 54

KCM5F-125R* Icu(400V)=15kA Ics(400V)=10kA

Rated current (In)	Cat. Nos.	
	3P	4P
10A	231 61	231 81
16A	231 62	231 82
20A	231 63	231 83
25A	231 64	231 84
32A	231 65	231 85
35A	231 66	231 86
40A	231 67	231 87
50A	231 68	231 88
63A	231 69	231 89
70A	231 70	231 90
80A	231 71	231 91
90A	231 72	231 92
100A	231 73	231 93
125A	231 74	231 94

* Wire connection of Line and load is reversible.



FOR OTHER VERSIONS:
Please consult ONESTO or local distributor.

KCM5F-160 Series



TECHNICAL DATA

Number of poles : 3P and 4P
 Rated current (In) : 25A-160A
 Rated operational voltage (Ue) : 400 V AC
 Rated insulation voltage (Ui) : 1000 V AC
 Rated impulse withstand voltage (Uimp) : 8 kV
 Rated frequency : 50/60 Hz
 Reference temperature : +40°C or +55 °C
 Type of release: Thermo-magnetic
 Utilization category: A
 Conformity standard : IEC 60947-2

KCM5F-160H Icu(400V)=35kA Ics(400V)=25kA

Rated current (In)	Cat. Nos.	
	3P	4P
25A	232 01	232 21
32A	232 02	232 22
35A	232 03	232 23
40A	232 04	232 24
50A	232 05	232 25
63A	232 06	232 26
70A	232 07	232 27
80A	232 08	232 28
90A	232 09	232 29
100A	232 10	232 30
125A	232 11	232 31
140A	232 12	232 32
150A	232 13	232 33
160A	232 14	232 34

KCM5F-160S Icu(400V)=25kA Ics(400V)=18kA

Rated current (In)	Cat. Nos.	
	3P	4P
25A	232 41	232 61
32A	232 42	232 62
35A	232 43	232 63
40A	232 44	232 64
50A	232 45	232 65
63A	232 46	232 66
70A	232 47	232 67
80A	232 48	232 68
90A	232 49	232 69
100A	232 50	232 70
125A	232 51	232 71
140A	232 52	232 72
150A	232 53	232 73
160A	232 54	232 74

KCM5F-160M Icu(400V)=25kA Ics(400V)=15kA

Rated current (In)	Cat. Nos.	
	3P	4P
25A	232 81	233 01
32A	232 82	233 02
35A	232 83	233 03
40A	232 84	233 04
50A	232 85	233 05
63A	232 86	233 06
70A	232 87	233 07
80A	232 88	233 08
90A	232 89	233 09
100A	232 90	233 10
125A	232 91	233 11
140A	232 92	233 12
150A	232 93	233 13
160A	232 94	233 14

KCM5F-160L Icu(400V)=15kA Ics(400V)=10kA

Rated current (In)	Cat. Nos.	
	3P	4P
25A	233 21	233 41
32A	233 22	233 42
35A	233 23	233 43
40A	233 24	233 44
50A	233 25	233 45
63A	233 26	233 46
70A	233 27	233 47
80A	233 28	233 48
90A	233 29	233 49
100A	233 30	233 50
125A	233 31	233 51
140A	233 32	233 52
150A	233 33	233 53
160A	233 34	233 54

KCM5F-160R* Icu(400V)=25kA Ics(400V)=18kA

Rated current (In)	Cat. Nos.	
	3P	4P
25A	233 61	233 81
32A	233 62	233 82
35A	233 63	233 83
40A	233 64	233 84
50A	233 65	233 85
63A	233 66	233 86
70A	233 67	233 87
80A	233 68	233 88
90A	233 69	233 89
100A	233 70	233 90
125A	233 71	233 91
140A	233 72	233 92
150A	233 73	233 93
160A	233 74	233 94

* Wire connection of Line and load is reversible.



FOR OTHER VERSIONS:
Please consult ONESTO or local distributor.

KCM5F-250 Series



TECHNICAL DATA

Number of poles : 3P and 4P
 Rated current (In) : 125A-250A
 Rated operational voltage (Ue) : 400 V AC
 Rated insulation voltage (Ui) : 1000 V AC
 Rated impulse withstand voltage (Uimp) : 8 kV
 Rated frequency : 50/60 Hz
 Reference temperature : +40°C or +55 °C
 Type of release: Thermo-magnetic
 Utilization category: A
 Conformity standard : IEC 60947-2

KCM5F-250H Icu(400V)=35kA Ics(400V)=25kA

Rated current (In)	Cat. Nos.	
	3P	4P
125A	234 01	234 11
140A	234 02	234 12
150A	234 03	234 13
160A	234 04	234 14
175A	234 05	234 25
180A	234 06	234 26
200A	234 07	234 27
225A	234 08	234 28
250A	234 09	234 29

KCM5F-250S Icu(400V)=25kA Ics(400V)=18kA

Rated current (In)	Cat. Nos.	
	3P	4P
125A	234 31	234 41
140A	234 32	234 42
150A	234 33	234 43
160A	234 34	234 44
175A	234 35	234 45
180A	234 36	234 46
200A	234 37	234 47
225A	234 38	234 48
250A	234 39	234 49

KCM5F-250M Icu(400V)=20kA Ics(400V)=15kA

Rated current (In)	Cat. Nos.	
	3P	4P
125A	234 51	234 61
140A	234 52	234 62
150A	234 53	234 63
160A	234 54	234 64
175A	234 55	234 65
180A	234 56	234 66
200A	234 57	234 67
225A	234 58	234 68
250A	234 59	234 69

KCM5F-250L Icu(400V)=15kA Ics(400V)=10kA

Rated current (In)	Cat. Nos.	
	3P	4P
125A	234 71	234 81
140A	234 72	234 82
150A	234 73	234 83
160A	234 74	234 84
175A	234 75	234 85
180A	234 76	234 86
200A	234 77	234 87
225A	234 78	234 88
250A	234 79	234 89

KCM5F-250R* Icu(400V)=25kA Ics(400V)=18kA

Rated current (In)	Cat. Nos.	
	3P	4P
125A	234 91	235 01
140A	234 92	235 02
150A	234 93	235 03
160A	234 94	235 04
175A	234 95	235 05
180A	234 96	235 06
200A	234 97	235 07
225A	234 98	235 08
250A	234 99	235 09

* Wire connection of Line and load is reversible.



FOR OTHER VERSIONS:
Please consult ONESTO or local distributor.

KCM5F-400 Series



TECHNICAL DATA

Number of poles : 3P and 4P
 Rated current (In) : 250A-400A
 Rated operational voltage (Ue) : 400 V AC
 Rated insulation voltage (Ui) : 1000 V AC
 Rated impulse withstand voltage (Uimp) : 8 kV
 Rated frequency : 50/60 Hz
 Reference temperature : +40°C or +55 °C
 Type of release: Thermo-magnetic
 Utilization category: A
 Conformity standard : IEC 60947-2

KCM5F-400H Icu(400V)=50kA Ics(400V)=35kA

Rated current (In)	Cat. Nos.	
	3P	4P
250A	235 11	235 21
280A	235 12	235 22
300A	235 13	235 23
315A	235 14	235 24
350A	235 15	235 25
400A	235 16	235 26

KCM5F-400S Icu(400V)=35kA Ics(400V)=25kA

Rated current (In)	Cat. Nos.	
	3P	4P
250A	235 31	235 41
280A	235 32	235 42
300A	235 33	235 43
315A	235 34	235 44
350A	235 35	235 45
400A	235 36	235 46

KCM5F-400M Icu(400V)=30kA Ics(400V)=20kA

Rated current (In)	Cat. Nos.	
	3P	4P
250A	235 51	235 61
280A	235 52	235 62
300A	235 53	235 63
315A	235 54	235 64
350A	235 55	235 65
400A	235 56	235 66

KCM5F-400L Icu(400V)=20kA Ics(400V)=15kA

Rated current (In)	Cat. Nos.	
	3P	4P
250A	235 71	235 81
280A	235 72	235 82
300A	235 73	235 83
315A	235 74	235 84
350A	235 75	235 85
400A	235 76	235 86

KCM5F-400R* Icu(400V)=30kA Ics(400V)=20kA

Rated current (In)	Cat. Nos.	
	3P	4P
250A	235 91	236 01
280A	235 92	236 02
300A	235 93	236 03
315A	235 94	236 04
350A	235 95	236 05
400A	235 96	236 06

* Wire connection of Line and load is reversible.



FOR OTHER VERSIONS:
Please consult ONESTO or local distributor.

KCM5F-630 Series



TECHNICAL DATA

Number of poles : 3P and 4P
 Rated current (In) : 250A-630A
 Rated operational voltage (Ue) : 400 V AC
 Rated insulation voltage (Ui) : 1000 V AC
 Rated impulse withstand voltage (Uimp) : 8 kV
 Rated frequency : 50/60 Hz
 Reference temperature : +40°C or +55 °C
 Type of release: Thermo-magnetic
 Utilization category: A
 Conformity standard : IEC 60947-2

KCM5F-630H Icu(400V)=50kA Ics(400V)=35kA

Rated current (In)	Cat. Nos.	
	3P	4P
250A	236 11	236 21
280A	236 12	236 22
300A	236 13	236 23
315A	236 14	236 24
350A	236 15	236 25
400A	236 16	236 26
500A	236 17	236 27
630A	236 18	236 28

KCM5F-630S Icu(400V)=35kA Ics(400V)=25kA

Rated current (In)	Cat. Nos.	
	3P	4P
250A	236 31	236 41
280A	236 32	236 42
300A	236 33	236 43
315A	236 34	236 44
350A	236 35	236 45
400A	236 36	236 46
500A	236 37	236 47
630A	236 38	236 48

KCM5F-630M Icu(400V)=30kA Ics(400V)=20kA

Rated current (In)	Cat. Nos.	
	3P	4P
250A	236 51	236 61
280A	236 52	236 62
300A	236 53	236 63
315A	236 54	236 64
350A	236 55	236 65
400A	236 56	236 66
500A	236 57	236 67
630A	236 58	236 68

KCM5F-630L Icu(400V)=20kA Ics(400V)=15kA

Rated current (In)	Cat. Nos.	
	3P	4P
250A	236 71	236 81
280A	236 72	236 82
300A	236 73	236 83
315A	236 74	236 84
350A	236 75	236 85
400A	236 76	236 86
500A	236 77	236 87
630A	236 78	236 88

KCM5F-250R* Icu(400V)=30kA Ics(400V)=20kA

Rated current (In)	Cat. Nos.	
	3P	4P
250A	236 91	237 01
280A	236 92	237 02
300A	236 93	237 03
315A	236 94	237 04
350A	236 95	237 05
400A	236 96	237 06
500A	236 97	237 07
630A	236 98	237 08

* Wire connection of Line and load is reversible.



FOR OTHER VERSIONS:
Please consult ONESTO or local distributor.

KCM5F-1250 Series



TECHNICAL DATA

Number of poles : 3P and 4P
 Rated current (In) : 630A-1250A
 Rated operational voltage (Ue) : 400 V AC
 Rated insulation voltage (Ui) : 1000 V AC
 Rated impulse withstand voltage (Uimp) : 8 kV
 Rated frequency : 50/60 Hz
 Reference temperature : +40°C or +55 °C
 Type of release : Thermo-magnetic
 Utilization category : A
 Conformity standard : IEC 60947-2

KCM5F-1250H Icu(400V)=65kA Ics(400V)=50kA

Rated current (In)	Cat. Nos.	
	3P	4P
630A	237 11	237 21
700A	237 12	237 22
800A	237 13	237 23
1000A	237 14	237 24
1250A	237 15	237 25

KCM5F-1250S Icu(400V)=50kA Ics(400V)=35kA

Rated current (In)	Cat. Nos.	
	3P	4P
630A	237 31	237 41
700A	237 32	237 42
800A	237 33	237 43
1000A	237 34	237 44
1250A	237 35	237 45

KCM5F-1250M Icu(400V)=35kA Ics(400V)=25kA

Rated current (In)	Cat. Nos.	
	3P	4P
630A	237 51	237 61
700A	237 52	237 62
800A	237 53	237 63
1000A	237 54	237 64
1250A	237 55	237 65

KCM5F-1250L Icu(400V)=30kA Ics(400V)=20kA

Rated current (In)	Cat. Nos.	
	3P	4P
630A	237 71	237 81
700A	237 72	237 82
800A	237 73	237 83
1000A	237 74	237 84
1250A	237 75	237 85

KCM5F-1250R* Icu(400V)=35kA Ics(400V)=25kA

Rated current (In)	Cat. Nos.	
	3P	4P
630A	237 91	238 01
700A	237 92	238 02
800A	237 93	238 03
1000A	237 94	238 04
1250A	237 95	238 05

* Wire connection of Line and load is reversible.



FOR OTHER VERSIONS:
Please consult ONESTO or local distributor.

KCM5T-160 Series



TECHNICAL DATA

Number of poles : 3P and 4P
 Rated current (In) : 25A-160A
 Rated operational voltage (Ue) : 400 V AC
 Rated insulation voltage (Ui) : 1000 V AC
 Rated impulse withstand voltage (Uimp) : 8 kV
 Thermal adjustable range(Ir): 0.8-1.0In
 Rated frequency : 50/60 Hz
 Reference temperature : +40°C or +55 °C
 Type of release: Thermo-magnetic
 Utilization category: A
 Conformity standard : IEC 60947-2

KCM5T-160H Icu(400V)=35kA Ics(400V)=25kA

Rated current (In)	Cat. Nos.	
	3P	4P
25A	432 01	432 21
32A	432 02	432 22
35A	432 03	432 23
40A	432 04	432 24
50A	432 05	432 25
63A	432 06	432 26
70A	432 07	432 27
80A	432 08	432 28
90A	432 09	432 29
100A	432 10	432 30
125A	432 11	432 31
140A	432 12	432 32
150A	432 13	432 33
160A	432 14	432 34

KCM5T-160S Icu(400V)=25kA Ics(400V)=18kA

Rated current (In)	Cat. Nos.	
	3P	4P
25A	432 41	432 61
32A	432 42	432 62
35A	432 43	432 63
40A	432 44	432 64
50A	432 45	432 65
63A	432 46	432 66
70A	432 47	432 67
80A	432 48	432 68
90A	432 49	432 69
100A	432 50	432 70
125A	432 51	432 71
140A	432 52	432 72
150A	432 53	432 73
160A	432 54	432 74

KCM5T-160M Icu(400V)=25kA Ics(400V)=15kA

Rated current (In)	Cat. Nos.	
	3P	4P
25A	432 81	433 01
32A	432 82	433 02
35A	432 83	433 03
40A	432 84	433 04
50A	432 85	433 05
63A	432 86	433 06
70A	432 87	433 07
80A	432 88	433 08
90A	432 89	433 09
100A	432 90	433 10
125A	432 91	433 11
140A	432 92	433 12
150A	432 93	433 13
160A	432 94	433 14

KCM5T-160L Icu(400V)=15kA Ics(400V)=10kA

Rated current (In)	Cat. Nos.	
	3P	4P
25A	433 21	433 41
32A	433 22	433 42
35A	433 23	433 43
40A	433 24	433 44
50A	433 25	433 45
63A	433 26	433 46
70A	433 27	433 47
80A	433 28	433 48
90A	433 29	433 49
100A	433 30	433 50
125A	433 31	433 51
140A	433 32	433 52
150A	433 33	433 53
160A	433 34	433 54

KCM5T-160R* Icu(400V)=25kA Ics(400V)=18kA

Rated current (In)	Cat. Nos.	
	3P	4P
25A	433 61	433 81
32A	433 62	433 82
35A	433 63	433 83
40A	433 64	433 84
50A	433 65	433 85
63A	433 66	433 86
70A	433 67	433 87
80A	433 68	433 88
90A	433 69	433 89
100A	433 70	433 90
125A	433 71	433 91
140A	433 72	433 92
150A	433 73	433 93
160A	433 74	433 94

* Wire connection of Line and load is reversible.



FOR OTHER VERSIONS:
Please consult ONESTO or local distributor.

KCM5T-250 Series



TECHNICAL DATA

Number of poles : 3P and 4P
 Rated current (In) : 125A-250A
 Rated operational voltage (Ue) : 400 V AC
 Rated insulation voltage (Ui) : 1000 V AC
 Rated impulse withstand voltage (Uimp) : 8 kV
 Thermal adjustable range(Ir): 0.8-1.0In
 Rated frequency : 50/60 Hz
 Reference temperature : +40°C or +55 °C
 Type of release: Thermo-magnetic
 Utilization category: A
 Conformity standard : IEC 60947-2

KCM5T-250H Icu(400V)=35kA Ics(400V)=25kA

Rated current (In)	Cat. Nos.	
	3P	4P
125A	434 01	434 11
140A	434 02	434 12
150A	434 03	434 13
160A	434 04	434 14
175A	434 05	434 25
180A	434 06	434 26
200A	434 07	434 27
225A	434 08	434 28
250A	434 09	434 29

KCM5T-250S Icu(400V)=25kA Ics(400V)=18kA

Rated current (In)	Cat. Nos.	
	3P	4P
125A	434 31	434 41
140A	434 32	434 42
150A	434 33	434 43
160A	434 34	434 44
175A	434 35	434 45
180A	434 36	434 46
200A	434 37	434 47
225A	434 38	434 48
250A	434 39	434 49

KCM5T-250M Icu(400V)=20kA Ics(400V)=15kA

Rated current (In)	Cat. Nos.	
	3P	4P
125A	434 51	434 61
140A	434 52	434 62
150A	434 53	434 63
160A	434 54	434 64
175A	434 55	434 65
180A	434 56	434 66
200A	434 57	434 67
225A	434 58	434 68
250A	434 59	434 69

KCM5T-250L Icu(400V)=15kA Ics(400V)=10kA

Rated current (In)	Cat. Nos.	
	3P	4P
125A	434 71	434 81
140A	434 72	434 82
150A	434 73	434 83
160A	434 74	434 84
175A	434 75	434 85
180A	434 76	434 86
200A	434 77	434 87
225A	434 78	434 88
250A	434 79	434 89

KCM5T-250R* Icu(400V)=25kA Ics(400V)=18kA

Rated current (In)	Cat. Nos.	
	3P	4P
125A	434 91	435 01
140A	434 92	435 02
150A	434 93	435 03
160A	434 94	435 04
175A	434 95	435 05
180A	434 96	435 06
200A	434 97	435 07
225A	434 98	435 08
250A	434 99	435 09

* Wire connection of Line and load is reversible.



FOR OTHER VERSIONS:
Please consult ONESTO or local distributor.

KCM5T-400 Series



TECHNICAL DATA

Number of poles : 3P and 4P
 Rated current (In) : 250A-400A
 Rated operational voltage (Ue) : 400 V AC
 Rated insulation voltage (Ui) : 1000 V AC
 Rated impulse withstand voltage (Uimp) : 8 kV
 Thermal adjustable range(Ir): 0.8-1.0In
 Rated frequency : 50/60 Hz
 Reference temperature : +40°C or +55 °C
 Type of release: Thermo-magnetic
 Utilization category: A
 Conformity standard : IEC 60947-2

KCM5T-400H Icu(400V)=50kA Ics(400V)=35kA

Rated current (In)	Cat. Nos.	
	3P	4P
250A	435 11	435 21
280A	435 12	435 22
300A	435 13	435 23
315A	435 14	435 24
350A	435 15	435 25
400A	435 16	435 26

KCM5T-400S Icu(400V)=35kA Ics(400V)=25kA

Rated current (In)	Cat. Nos.	
	3P	4P
250A	435 31	435 41
280A	435 32	435 42
300A	435 33	435 43
315A	435 34	435 44
350A	435 35	435 45
400A	435 36	435 46

KCM5T-400M Icu(400V)=30kA Ics(400V)=20kA

Rated current (In)	Cat. Nos.	
	3P	4P
250A	435 51	435 61
280A	435 52	435 62
300A	435 53	435 63
315A	435 54	435 64
350A	435 55	435 65
400A	435 56	435 66

KCM5T-400L Icu(400V)=20kA Ics(400V)=15kA

Rated current (In)	Cat. Nos.	
	3P	4P
250A	435 71	435 81
280A	435 72	435 82
300A	435 73	435 83
315A	435 74	435 84
350A	435 75	435 85
400A	435 76	435 86

KCM5T-400R* Icu(400V)=30kA Ics(400V)=20kA

Rated current (In)	Cat. Nos.	
	3P	4P
250A	435 91	436 01
280A	435 92	436 02
300A	435 93	436 03
315A	435 94	436 04
350A	435 95	436 05
400A	435 96	436 06

* Wire connection of Line and load is reversible.



FOR OTHER VERSIONS:
Please consult ONESTO or local distributor.

KCM5T-630 Series



TECHNICAL DATA

Number of poles : 3P and 4P
 Rated current (In) : 250A-630A
 Rated operational voltage (Ue) : 400 V AC
 Rated insulation voltage (Ui) : 1000 V AC
 Rated impulse withstand voltage (Uimp) : 8 kV
 Thermal adjustable range(Ir): 0.8-1.0In
 Rated frequency : 50/60 Hz
 Reference temperature : +40°C or +55 °C
 Type of release: Thermo-magnetic
 Utilization category: A
 Conformity standard : IEC 60947-2

KCM5T-630H Icu(400V)=50kA Ics(400V)=35kA

Rated current (In)	Cat. Nos.	
	3P	4P
250A	436 11	436 21
280A	436 12	436 22
300A	436 13	436 23
315A	436 14	436 24
350A	436 15	436 25
400A	436 16	436 26
500A	436 17	436 27
630A	436 18	436 28

KCM5T-630S Icu(400V)=35kA Ics(400V)=25kA

Rated current (In)	Cat. Nos.	
	3P	4P
250A	436 31	436 41
280A	436 32	436 42
300A	436 33	436 43
315A	436 34	436 44
350A	436 35	436 45
400A	436 36	436 46
500A	436 37	436 47
630A	436 38	436 48

KCM5T-630M Icu(400V)=30kA Ics(400V)=20kA

Rated current (In)	Cat. Nos.	
	3P	4P
250A	436 51	436 61
280A	436 52	436 62
300A	436 53	436 63
315A	436 54	436 64
350A	436 55	436 65
400A	436 56	436 66
500A	436 57	436 67
630A	436 58	436 68

KCM5T-630L Icu(400V)=20kA Ics(400V)=15kA

Rated current (In)	Cat. Nos.	
	3P	4P
250A	436 71	436 81
280A	436 72	436 82
300A	436 73	436 83
315A	436 74	436 84
350A	436 75	436 85
400A	436 76	436 86
500A	436 77	436 87
630A	436 78	436 88

KCM5T-250R* Icu(400V)=30kA Ics(400V)=20kA

Rated current (In)	Cat. Nos.	
	3P	4P
250A	436 91	437 01
280A	436 92	437 02
300A	436 93	437 03
315A	436 94	437 04
350A	436 95	437 05
400A	436 96	437 06
500A	436 97	437 07
630A	436 98	437 08

* Wire connection of Line and load is reversible.



FOR OTHER VERSIONS:
Please consult ONESTO or local distributor.

KCM5T-1250 Series



TECHNICAL DATA

Number of poles : 3P and 4P
 Rated current (In) : 630A-1250A
 Rated operational voltage (Ue) : 400 V AC
 Rated insulation voltage (Ui) : 1000 V AC
 Rated impulse withstand voltage (Uimp) : 8 kV
 Thermal adjustable range(Ir): 0.8-1.0In
 Rated frequency : 50/60 Hz
 Reference temperature : +40 °C or +55 °C
 Type of release: Thermo-magnetic
 Utilization category: A
 Conformity standard : IEC 60947-2

KCM5T-1250H Icu(400V)=65kA Ics(400V)=50kA

Rated current (In)	Cat. Nos.	
	3P	4P
630A	437 11	437 21
700A	437 12	437 22
800A	437 13	437 23
1000A	437 14	437 24
1250A	437 15	437 25

KCM5T-1250S Icu(400V)=50kA Ics(400V)=35kA

Rated current (In)	Cat. Nos.	
	3P	4P
630A	437 31	437 41
700A	437 32	437 42
800A	437 33	437 43
1000A	437 34	437 44
1250A	437 35	437 45

KCM5T-1250M Icu(400V)=35kA Ics(400V)=25kA

Rated current (In)	Cat. Nos.	
	3P	4P
630A	437 51	437 61
700A	437 52	437 62
800A	437 53	437 63
1000A	437 54	437 64
1250A	437 55	437 65

KCM5T-1250L Icu(400V)=30kA Ics(400V)=20kA

Rated current (In)	Cat. Nos.	
	3P	4P
630A	437 71	437 81
700A	437 72	437 82
800A	437 73	437 83
1000A	437 74	437 84
1250A	437 75	437 85

KCM5T-1250R* Icu(400V)=35kA Ics(400V)=25kA

Rated current (In)	Cat. Nos.	
	3P	4P
630A	437 91	438 01
700A	437 92	438 02
800A	437 93	438 03
1000A	437 94	438 04
1250A	437 95	438 05

* Wire connection of Line and load is reversible.



FOR OTHER VERSIONS:
Please consult ONESTO or local distributor.

KCM5M-160 Series



TECHNICAL DATA

Number of poles : 3P and 4P
 Rated current (In) : 25A-160A
 Rated operational voltage (Ue) : 400 V AC
 Rated insulation voltage (Ui) : 1000 V AC
 Rated impulse withstand voltage (Uimp) : 8 kV
 Magnetic adjustable range(Ii): 5-10In
 Rated frequency : 50/60 Hz
 Reference temperature : +40°C or +55 °C
 Type of release: Thermo-magnetic
 Utilization category: A
 Conformity standard : IEC 60947-2

KCM5M-160H Icu(400V)=35kA Ics(400V)=25kA

Rated current (In)	Cat. Nos.	
	3P	4P
25A	532 01	532 21
32A	532 02	532 22
35A	532 03	532 23
40A	532 04	532 24
50A	532 05	532 25
63A	532 06	532 26
70A	532 07	532 27
80A	532 08	532 28
90A	532 09	532 29
100A	532 10	532 30
125A	532 11	532 31
140A	532 12	532 32
150A	532 13	532 33
160A	532 14	532 34

KCM5M-160S Icu(400V)=25kA Ics(400V)=18kA

Rated current (In)	Cat. Nos.	
	3P	4P
25A	532 41	532 61
32A	532 42	532 62
35A	532 43	532 63
40A	532 44	532 64
50A	532 45	532 65
63A	532 46	532 66
70A	532 47	532 67
80A	532 48	532 68
90A	532 49	532 69
100A	532 50	532 70
125A	532 51	332 71
140A	532 52	532 72
150A	532 53	532 73
160A	532 54	532 74

KCM5M-160M Icu(400V)=25kA Ics(400V)=15kA

Rated current (In)	Cat. Nos.	
	3P	4P
25A	532 81	533 01
32A	532 82	533 02
35A	532 83	533 03
40A	532 84	533 04
50A	532 85	533 05
63A	532 86	533 06
70A	532 87	533 07
80A	532 88	533 08
90A	532 89	533 09
100A	532 90	533 10
125A	532 91	533 11
140A	532 92	533 12
150A	532 93	533 13
160A	532 94	533 14

KCM5M-160L Icu(400V)=15kA Ics(400V)=10kA

Rated current (In)	Cat. Nos.	
	3P	4P
25A	533 21	533 41
32A	533 22	533 42
35A	533 23	533 43
40A	533 24	533 44
50A	533 25	533 45
63A	533 26	533 46
70A	533 27	533 47
80A	533 28	533 48
90A	533 29	533 49
100A	533 30	533 50
125A	533 31	533 51
140A	533 32	533 52
150A	533 33	533 53
160A	533 34	533 54

KCM5M-160R* Icu(400V)=25kA Ics(400V)=18kA

Rated current (In)	Cat. Nos.	
	3P	4P
25A	533 61	533 81
32A	533 62	533 82
35A	533 63	533 83
40A	533 64	533 84
50A	533 65	533 85
63A	533 66	533 86
70A	533 67	533 87
80A	533 68	533 88
90A	533 69	533 89
100A	533 70	533 90
125A	533 71	533 91
140A	533 72	533 92
150A	533 73	533 93
160A	533 74	533 94

* Wire connection of Line and load is reversible.



FOR OTHER VERSIONS:
Please consult ONESTO or local distributor.

KCM5M-250 Series



TECHNICAL DATA

Number of poles : 3P and 4P
 Rated current (In) : 125A-250A
 Rated operational voltage (Ue) : 400 V AC
 Rated insulation voltage (Ui) : 1000 V AC
 Rated impulse withstand voltage (Uimp) : 8 kV
 Magnetic adjustable range(Ii): 5-10In
 Rated frequency : 50/60 Hz
 Reference temperature : +40°C or +55 °C
 Type of release: Thermo-magnetic
 Utilization category: A
 Conformity standard : IEC 60947-2

KCM5M-250H Icu(400V)=35kA Ics(400V)=25kA

Rated current (In)	Cat. Nos.	
	3P	4P
125A	534 01	534 11
140A	534 02	534 12
150A	534 03	534 13
160A	534 04	534 14
175A	534 05	534 25
180A	534 06	534 26
200A	534 07	534 27
225A	534 08	534 28
250A	534 09	534 29

KCM5M-250S Icu(400V)=25kA Ics(400V)=18kA

Rated current (In)	Cat. Nos.	
	3P	4P
125A	534 31	534 41
140A	534 32	534 42
150A	534 33	534 43
160A	534 34	534 44
175A	534 35	534 45
180A	534 36	534 46
200A	534 37	534 47
225A	534 38	534 48
250A	534 39	534 49

KCM5M-250M Icu(400V)=20kA Ics(400V)=15kA

Rated current (In)	Cat. Nos.	
	3P	4P
125A	534 51	534 61
140A	534 52	534 62
150A	534 53	534 63
160A	534 54	534 64
175A	534 55	534 65
180A	534 56	534 66
200A	534 57	534 67
225A	534 58	534 68
250A	534 59	534 69

KCM5M-250L Icu(400V)=15kA Ics(400V)=10kA

Rated current (In)	Cat. Nos.	
	3P	4P
125A	534 71	534 81
140A	534 72	534 82
150A	534 73	534 83
160A	534 74	534 84
175A	534 75	534 85
180A	534 76	534 86
200A	534 77	534 87
225A	534 78	534 88
250A	534 79	534 89

KCM5M-250R* Icu(400V)=25kA Ics(400V)=18kA

Rated current (In)	Cat. Nos.	
	3P	4P
125A	534 91	535 01
140A	534 92	535 02
150A	534 93	535 03
160A	534 94	535 04
175A	534 95	535 05
180A	534 96	535 06
200A	534 97	535 07
225A	534 98	535 08
250A	534 99	535 09

* Wire connection of Line and load is reversible.



FOR OTHER VERSIONS:
Please consult ONESTO or local distributor.

KCM5M-400 Series



TECHNICAL DATA

Number of poles : 3P and 4P
 Rated current (In) : 250A-400A
 Rated operational voltage (Ue) : 400 V AC
 Rated insulation voltage (Ui) : 1000 V AC
 Rated impulse withstand voltage (Uimp) : 8 kV
 Magnetic adjustable range(Ii): 5-10Inn
 Rated frequency : 50/60 Hz
 Reference temperature : +40°C or +55 °C
 Type of release: Thermo-magnetic
 Utilization category: A
 Conformity standard : IEC 60947-2

KCM5M-400H Icu(400V)=50kA Ics(400V)=35kA

Rated current (In)	Cat. Nos.	
	3P	4P
250A	535 11	535 21
280A	535 12	535 22
300A	535 13	535 23
315A	535 14	535 24
350A	535 15	535 25
400A	535 16	535 26

KCM5M-400S Icu(400V)=35kA Ics(400V)=25kA

Rated current (In)	Cat. Nos.	
	3P	4P
250A	535 31	535 41
280A	535 32	535 42
300A	535 33	535 43
315A	535 34	535 44
350A	535 35	535 45
400A	535 36	535 46

KCM5M-400M Icu(400V)=30kA Ics(400V)=20kA

Rated current (In)	Cat. Nos.	
	3P	4P
250A	535 51	535 61
280A	535 52	535 62
300A	535 53	535 63
315A	535 54	535 64
350A	535 55	535 65
400A	535 56	535 66

KCM5M-400L Icu(400V)=20kA Ics(400V)=15kA

Rated current (In)	Cat. Nos.	
	3P	4P
250A	535 71	535 81
280A	535 72	535 82
300A	535 73	535 83
315A	535 74	535 84
350A	535 75	535 85
400A	535 76	535 86

KCM5M-400R * Icu(400V)=30kA Ics(400V)=20kA

Rated current (In)	Cat. Nos.	
	3P	4P
250A	535 91	536 01
280A	535 92	536 02
300A	535 93	536 03
315A	535 94	536 04
350A	535 95	536 05
400A	535 96	536 06

* Wire connection of Line and load is reversible.



FOR OTHER VERSIONS:
Please consult ONESTO or local distributor.

KCM5M-630 Series



TECHNICAL DATA

Number of poles : 3P and 4P
 Rated current (In) : 250A-630A
 Rated operational voltage (Ue) : 400 V AC
 Rated insulation voltage (Ui) : 1000 V AC
 Rated impulse withstand voltage (Uimp) : 8 kV
 Magnetic adjustable range(Ii) : 5-10In
 Rated frequency : 50/60 Hz
 Reference temperature : +40°C or +55 °C
 Type of release: Thermo-magnetic
 Utilization category: A
 Conformity standard : IEC 60947-2

KCM5M-630H Icu(400V)=50kA Ics(400V)=35kA

Rated current (In)	Cat. Nos.	
	3P	4P
250A	536 11	536 21
280A	536 12	536 22
300A	536 13	536 23
315A	536 14	536 24
350A	536 15	536 25
400A	536 16	536 26
500A	536 17	536 27
630A	536 18	536 28

KCM5M-630S Icu(400V)=35kA Ics(400V)=25kA

Rated current (In)	Cat. Nos.	
	3P	4P
250A	536 31	536 41
280A	536 32	536 42
300A	536 33	536 43
315A	536 34	536 44
350A	536 35	536 45
400A	536 36	536 46
500A	536 37	536 47
630A	536 38	536 48

KCM5M-630M Icu(400V)=30kA Ics(400V)=20kA

Rated current (In)	Cat. Nos.	
	3P	4P
250A	536 51	536 61
280A	536 52	536 62
300A	536 53	536 63
315A	536 54	536 64
350A	536 55	536 65
400A	536 56	536 66
500A	536 57	536 67
630A	536 58	536 68

KCM5M-630L Icu(400V)=20kA Ics(400V)=15kA

Rated current (In)	Cat. Nos.	
	3P	4P
250A	536 71	536 81
280A	536 72	536 82
300A	536 73	536 83
315A	536 74	536 84
350A	536 75	536 85
400A	536 76	536 86
500A	536 77	536 87
630A	536 78	536 88

KCM5M-250R* Icu(400V)=30kA Ics(400V)=20kA

Rated current (In)	Cat. Nos.	
	3P	4P
250A	536 91	537 01
280A	536 92	537 02
300A	536 93	537 03
315A	536 94	537 04
350A	536 95	537 05
400A	536 96	537 06
500A	536 97	537 07
630A	536 98	537 08

* Wire connection of Line and load is reversible.



FOR OTHER VERSIONS:
Please consult ONESTO or local distributor.

KCM5M-1250 Series



TECHNICAL DATA

Number of poles : 3P and 4P
 Rated current (In) : 630A-1250A
 Rated operational voltage (Ue) : 400 V AC
 Rated insulation voltage (Ui) : 1000 V AC
 Rated impulse withstand voltage (Uimp) : 8 kV
 Magnetic adjustable range(Ii): 5-10In
 Rated frequency : 50/60 Hz
 Reference temperature : +40°C or +55 °C
 Type of release: Thermo-magnetic
 Utilization category: A
 Conformity standard : IEC 60947-2

KCM5M-1250H Icu(400V)=65kA Ics(400V)=50kA

Rated current (In)	Cat. Nos.	
	3P	4P
630A	537 11	537 21
700A	537 12	537 22
800A	537 13	537 23
1000A	537 14	537 24
1250A	537 15	537 25

KCM5M-1250S Icu(400V)=50kA Ics(400V)=35kA

Rated current (In)	Cat. Nos.	
	3P	4P
630A	537 31	537 41
700A	537 32	537 42
800A	537 33	537 43
1000A	537 34	537 44
1250A	537 35	537 45

KCM5M-1250M Icu(400V)=35kA Ics(400V)=25kA

Rated current (In)	Cat. Nos.	
	3P	4P
630A	537 51	537 61
700A	537 52	537 62
800A	537 53	537 63
1000A	537 54	537 64
1250A	537 55	537 65

KCM5M-1250L Icu(400V)=30kA Ics(400V)=20kA

Rated current (In)	Cat. Nos.	
	3P	4P
630A	537 71	537 81
700A	537 72	537 82
800A	537 73	537 83
1000A	537 74	537 84
1250A	537 75	537 85

KCM5M-1250R * Icu(400V)=35kA Ics(400V)=25kA

Rated current (In)	Cat. Nos.	
	3P	4P
630A	537 91	538 01
700A	537 92	538 02
800A	537 93	538 03
1000A	537 94	538 04
1250A	537 95	538 05

* Wire connection of Line and load is reversible.



FOR OTHER VERSIONS:
Please consult ONESTO or local distributor.

KCM5TM-160 Series



TECHNICAL DATA

Number of poles : 3P and 4P
 Rated current (In) : 25A-160A
 Rated operational voltage (Ue) : 400 V AC
 Rated insulation voltage (Ui) : 1000 V AC
 Rated impulse withstand voltage (Uimp) : 8 kV
 Thermal adjustable range(Ir): 0.8-1.0In
 Magnetic adjustable range(Ii): 5-10In
 Rated frequency : 50/60 Hz
 Reference temperature : +40°C or +55 °C
 Type of release: Thermo-magnetic
 Utilization category: A
 Conformity standard : IEC 60947-2

KCM5TM-160H Icu(400V)=35kA Ics(400V)=25kA

Rated current (In)	Cat. Nos.	
	3P	4P
25A	332 01	332 21
32A	332 02	332 22
35A	332 03	332 23
40A	332 04	332 24
50A	332 05	332 25
63A	332 06	332 26
70A	332 07	332 27
80A	332 08	332 28
90A	332 09	332 29
100A	332 10	332 30
125A	332 11	332 31
140A	332 12	332 32
150A	332 13	332 33
160A	332 14	332 34

KCM5TM-160S Icu(400V)=25kA Ics(400V)=18kA

Rated current (In)	Cat. Nos.	
	3P	4P
25A	332 41	332 61
32A	332 42	332 62
35A	332 43	332 63
40A	332 44	332 64
50A	332 45	332 65
63A	332 46	332 66
70A	332 47	332 67
80A	332 48	332 68
90A	332 49	332 69
100A	332 50	332 70
125A	332 51	332 71
140A	332 52	332 72
150A	332 53	332 73
160A	332 54	332 74

KCM5TM-160M Icu(400V)=25kA Ics(400V)=15kA

Rated current (In)	Cat. Nos.	
	3P	4P
25A	332 81	333 01
32A	332 82	333 02
35A	332 83	333 03
40A	332 84	333 04
50A	332 85	333 05
63A	332 86	333 06
70A	332 87	333 07
80A	332 88	333 08
90A	332 89	333 09
100A	332 90	333 10
125A	332 91	333 11
140A	332 92	333 12
150A	332 93	333 13
160A	332 94	333 14

KCM5TM-160L Icu(400V)=15kA Ics(400V)=10kA

Rated current (In)	Cat. Nos.	
	3P	4P
25A	333 21	333 41
32A	333 22	333 42
35A	333 23	333 43
40A	333 24	333 44
50A	333 25	333 45
63A	333 26	333 46
70A	333 27	333 47
80A	333 28	333 48
90A	333 29	333 49
100A	333 30	333 50
125A	333 31	333 51
140A	333 32	333 52
150A	333 33	333 53
160A	333 34	333 54

KCM5TM-160R* Icu(400V)=25kA Ics(400V)=18kA

Rated current (In)	Cat. Nos.	
	3P	4P
25A	333 61	333 81
32A	333 62	333 82
35A	333 63	333 83
40A	333 64	333 84
50A	333 65	333 85
63A	333 66	333 86
70A	333 67	333 87
80A	333 68	333 88
90A	333 69	333 89
100A	333 70	333 90
125A	333 71	333 91
140A	333 72	333 92
150A	333 73	333 93
160A	333 74	333 94

* Wire connection of Line and load is reversible.



FOR OTHER VERSIONS:
Please consult ONESTO or local distributor.

KCM5TM-250 Series



TECHNICAL DATA

Number of poles : 3P and 4P
 Rated current (In) : 125A-250A
 Rated operational voltage (Ue) : 400 V AC
 Rated insulation voltage (Ui) : 1000 V AC
 Rated impulse withstand voltage (Uimp) : 8 kV
 Thermal adjustable range(Ir): 0.8-1.0In
 Magnetic adjustable range(Ii): 5-10In
 Rated frequency : 50/60 Hz
 Reference temperature : +40°C or +55 °C
 Type of release: Thermo-magnetic
 Utilization category: A
 Conformity standard : IEC 60947-2

KCM5TM-250H Icu(400V)=35kA Ics(400V)=25kA

Rated current (In)	Cat. Nos.	
	3P	4P
125A	334 01	334 11
140A	334 02	334 12
150A	334 03	334 13
160A	334 04	334 14
175A	334 05	334 25
180A	334 06	334 26
200A	334 07	334 27
225A	334 08	334 28
250A	334 09	334 29

KCM5TM-250S Icu(400V)=25kA Ics(400V)=18kA

Rated current (In)	Cat. Nos.	
	3P	4P
125A	334 31	334 41
140A	334 32	334 42
150A	334 33	334 43
160A	334 34	334 44
175A	334 35	334 45
180A	334 36	334 46
200A	334 37	334 47
225A	334 38	334 48
250A	334 39	334 49

KCM5TM-250M Icu(400V)=20kA Ics(400V)=15kA

Rated current (In)	Cat. Nos.	
	3P	4P
125A	334 51	334 61
140A	334 52	334 62
150A	334 53	334 63
160A	334 54	334 64
175A	334 55	334 65
180A	334 56	334 66
200A	334 57	334 67
225A	334 58	334 68
250A	334 59	334 69

KCM5TM-250L Icu(400V)=15kA Ics(400V)=10kA

Rated current (In)	Cat. Nos.	
	3P	4P
125A	334 71	334 81
140A	334 72	334 82
150A	334 73	334 83
160A	334 74	334 84
175A	334 75	334 85
180A	334 76	334 86
200A	334 77	334 87
225A	334 78	334 88
250A	334 79	334 89

KCM5TM-250R* Icu(400V)=25kA Ics(400V)=18kA

Rated current (In)	Cat. Nos.	
	3P	4P
125A	334 91	335 01
140A	334 92	335 02
150A	334 93	335 03
160A	334 94	335 04
175A	334 95	335 05
180A	334 96	335 06
200A	334 97	335 07
225A	334 98	335 08
250A	334 99	335 09

* Wire connection of Line and load is reversible.



FOR OTHER VERSIONS:
Please consult ONESTO or local distributor.

KCM5TM-400 Series



TECHNICAL DATA

Number of poles : 3P and 4P
 Rated current (In) : 250A-400A
 Rated operational voltage (Ue) : 400 V AC
 Rated insulation voltage (Ui) : 1000 V AC
 Rated impulse withstand voltage (Uimp) : 8 kV
 Thermal adjustable range(Ir): 0.8-1.0In
 Magnetic adjustable range(Ii): 5-10Inn
 Rated frequency : 50/60 Hz
 Reference temperature : +40°C or +55 °C
 Type of release: Thermo-magnetic
 Utilization category: A
 Conformity standard : IEC 60947-2

KCM5TM-400H Icu(400V)=50kA Ics(400V)=35kA

Rated current (In)	Cat. Nos.	
	3P	4P
250A	335 11	335 21
280A	335 12	335 22
300A	335 13	335 23
315A	335 14	335 24
350A	335 15	335 25
400A	335 16	335 26

KCM5TM-400S Icu(400V)=35kA Ics(400V)=25kA

Rated current (In)	Cat. Nos.	
	3P	4P
250A	335 31	335 41
280A	335 32	335 42
300A	335 33	335 43
315A	335 34	335 44
350A	335 35	335 45
400A	335 36	335 46

KCM5TM-400M Icu(400V)=30kA Ics(400V)=20kA

Rated current (In)	Cat. Nos.	
	3P	4P
250A	335 51	335 61
280A	335 52	335 62
300A	335 53	335 63
315A	335 54	335 64
350A	335 55	335 65
400A	335 56	335 66

KCM5TM-400L Icu(400V)=20kA Ics(400V)=15kA

Rated current (In)	Cat. Nos.	
	3P	4P
250A	335 71	335 81
280A	335 72	335 82
300A	335 73	335 83
315A	335 74	335 84
350A	335 75	335 85
400A	335 76	335 86

KCM5TM-400R* Icu(400V)=30kA Ics(400V)=20kA

Rated current (In)	Cat. Nos.	
	3P	4P
250A	335 91	336 01
280A	335 92	336 02
300A	335 93	336 03
315A	335 94	336 04
350A	335 95	336 05
400A	335 96	336 06

* Wire connection of Line and load is reversible.



FOR OTHER VERSIONS:
Please consult ONESTO or local distributor.

KCM5TM-630 Series



TECHNICAL DATA

Number of poles : 3P and 4P
 Rated current (In) : 250A-630A
 Rated operational voltage (Ue) : 400 V AC
 Rated insulation voltage (Ui) : 1000 V AC
 Rated impulse withstand voltage (Uimp) : 8 kV
 Thermal adjustable range(Ir): 0.8-1.0In
 Magnetic adjustable range(Ii): 5-10In
 Rated frequency : 50/60 Hz
 Reference temperature : +40°C or +55 °C
 Type of release: Thermo-magnetic
 Utilization category: A
 Conformity standard : IEC 60947-2

KCM5TM-630H Icu(400V)=50kA Ics(400V)=35kA

Rated current (In)	Cat. Nos.	
	3P	4P
250A	336 11	336 21
280A	336 12	336 22
300A	336 13	336 23
315A	336 14	336 24
350A	336 15	336 25
400A	336 16	336 26
500A	336 17	336 27
630A	336 18	336 28

KCM5TM-630S Icu(400V)=35kA Ics(400V)=25kA

Rated current (In)	Cat. Nos.	
	3P	4P
250A	336 31	336 41
280A	336 32	336 42
300A	336 33	336 43
315A	336 34	336 44
350A	336 35	336 45
400A	336 36	336 46
500A	336 37	336 47
630A	336 38	336 48

KCM5TM-630M Icu(400V)=30kA Ics(400V)=20kA

Rated current (In)	Cat. Nos.	
	3P	4P
250A	336 51	336 61
280A	336 52	336 62
300A	336 53	336 63
315A	336 54	336 64
350A	336 55	336 65
400A	336 56	336 66
500A	336 57	336 67
630A	336 58	336 68

KCM5TM-630L Icu(400V)=20kA Ics(400V)=15kA

Rated current (In)	Cat. Nos.	
	3P	4P
250A	336 71	336 81
280A	336 72	336 82
300A	336 73	336 83
315A	336 74	336 84
350A	336 75	336 85
400A	336 76	336 86
500A	336 77	336 87
630A	336 78	336 88

KCM5TM-250R* Icu(400V)=30kA Ics(400V)=20kA

Rated current (In)	Cat. Nos.	
	3P	4P
250A	336 91	337 01
280A	336 92	337 02
300A	336 93	337 03
315A	336 94	337 04
350A	336 95	337 05
400A	336 96	337 06
500A	336 97	337 07
630A	336 98	337 08

* Wire connection of Line and load is reversible.



FOR OTHER VERSIONS:
Please consult ONESTO or local distributor.

KCM5TM-1250 Series



TECHNICAL DATA

Number of poles : 3P and 4P
 Rated current (In) : 630A-1250A
 Rated operational voltage (Ue) : 400 V AC
 Rated insulation voltage (Ui) : 1000 V AC
 Rated impulse withstand voltage (Uimp) : 8 kV
 Thermal adjustable range(Ir): 0.8-1.0In
 Magnetic adjustable range(Ii): 5-10In
 Rated frequency : 50/60 Hz
 Reference temperature : +40°C or +55 °C
 Type of release: Thermo-magnetic
 Utilization category: A
 Conformity standard : IEC 60947-2

KCM5TM-1250H Icu(400V)=65kA Ics(400V)=50kA

Rated current (In)	Cat. Nos.	
	3P	4P
630A	337 11	337 21
700A	337 12	337 22
800A	337 13	337 23
1000A	337 14	337 24
1250A	337 15	337 25

KCM5TM-1250S Icu(400V)=50kA Ics(400V)=35kA

Rated current (In)	Cat. Nos.	
	3P	4P
630A	337 31	337 41
700A	337 32	337 42
800A	337 33	337 43
1000A	337 34	337 44
1250A	337 35	337 45

KCM5TM-1250M Icu(400V)=35kA Ics(400V)=25kA

Rated current (In)	Cat. Nos.	
	3P	4P
630A	337 51	337 61
700A	337 52	337 62
800A	337 53	337 63
1000A	337 54	337 64
1250A	337 55	337 65

KCM5TM-1250L Icu(400V)=30kA Ics(400V)=20kA

Rated current (In)	Cat. Nos.	
	3P	4P
630A	337 71	337 81
700A	337 72	337 82
800A	337 73	337 83
1000A	337 74	337 84
1250A	337 75	337 85

KCM5TM-1250R* Icu(400V)=35kA Ics(400V)=25kA

Rated current (In)	Cat. Nos.	
	3P	4P
630A	337 91	338 01
700A	337 92	338 02
800A	337 93	338 03
1000A	337 94	338 04
1250A	337 95	338 05

* Wire connection of Line and load is reversible.



FOR OTHER VERSIONS:
Please consult ONESTO or local distributor.

MOULDED-CASE CIRCUIT BREAKER
Internal accessories

KCM5-AC

Auxiliary contact



AC125V 5A, AC250V 3A, DC125V 0.4A, DC125V 0.2A

Pack	Type	Cat.nos.	Applicable frame
1	KCM5-AC-125	238 11	125
1	KCM5-AC-160	238 12	160
1	KCM5-AC-250	238 13	250
1	KCM5-AC-400	238 14	400
1	KCM5-AC-630	238 15	630
1	KCM5-AC-1250	238 16	1250

* Operate within 70% to 110% of rated voltage.

KCM5-LC

Alarm contact



AC125V 5A, AC250V 3A, DC125V 0.4A, DC125V 0.2A

Pack	Type	Cat.nos.	Applicable frame
1	KCM5-LC-125	238 21	125
1	KCM5-LC-160	238 22	160
1	KCM5-LC-250	238 23	250
1	KCM5-LC-400	238 24	400
1	KCM5-LC-630	238 25	630
1	KCM5-LC-1250	238 26	1250

KCM5-SR

Shunt release



Dc24, DC110 200-277V AC, 380V AC

Pack	Type	Cat.nos.	Applicable frame
1	KCM5-SR-125	238 31	125
1	KCM5-SR-160	238 32	160
1	KCM5-SR-250	238 33	250
1	KCM5-SR-400	238 34	400
1	KCM5-SR-630	238 35	630
1	KCM5-SR-1250	238 36	1250

* Operate within 70% to 110% of rated voltage.

KCM5-UVR

Under voltage release



AC220V, AC240V, AC380V, AC415V

Pack	Type	Cat.nos.	Applicable frame
1	KCM5-UVR-125	238 41	125
1	KCM5-UVR-160	238 42	160
1	KCM5-UVR-250	238 43	250
1	KCM5-UVR-400	238 44	400
1	KCM5-UVR-630	238 45	630
1	KCM5-UVR-1250	238 46	1250

* Operate within 70% to 35% of rated voltage.

MOULDED-CASE CIRCUIT BREAKER
External accessories

KCM5-EH

Electric operating mechanism



AC230, DC220, AC110, DC110, DC24

Pack	Type	Cat.nos.	Applicable frame
1	KCM5-EH-125	238 51	160
1	KCM5-EH-160	238 52	250
1	KCM5-EH-250	238 53	400
1	KCM5-EH-400	238 54	630
1	KCM5-EH-630	238 55	800
1	KCM5-EH-1250	238 56	1250

KCM5-MH

Manual operating mechanism



Pack	Type	Cat.nos.		Applicable frame
		3P	4P	
1	KCM5-MH-125	238 61	238 71	125
1	KCM5-MH-160	238 62	238 72	160
1	KCM5-MH-250	238 63	238 73	250
1	KCM5-MH-400	238 64	238 74	400
1	KCM5-MH-630	238 65	238 75	630
1	KCM5-MH-1250	238 66	238 76	1250

KCM5-PB

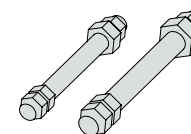
Plug-in base



Pack	Type	Cat.nos.		Applicable frame
		3P	4P	
1	KCM5-PB-125	238 81	238 91	125
1	KCM5-PB-160	238 82	238 92	160
1	KCM5-PB-250	238 83	238 93	250
1	KCM5-PB-400	238 84	238 94	400
1	KCM5-PB-630	238 85	238 95	630
1	KCM5-PB-1250	238 86	238 96	1250

KCM5-BC

Back-board connector



Pack	Type	Cat.nos.	Applicable frame
1	KCM5-BC-125	239 01	125
1	KCM5-BC-160	239 02	160
1	KCM5-BC-250	239 03	250
1	KCM5-BC-400	239 04	400
1	KCM5-BC-630	239 05	630
1	KCM5-BC-1250	239 06	1250



FOR OTHER VERSIONS:
Please consult ONESTO or local distributor.

KCM5-TC
Terminal cover



Pack	Type	Cat.nos.		Applicable frame
		3P	4P	
1	KCM5-TC-125	239 11	239 11	125
1	KCM5-TC-160	239 12	239 12	160
1	KCM5-TC-250	239 13	239 13	250
1	KCM5-TC-400	239 14	239 14	400
1	KCM5-TC-630	239 15	239 15	630
1	KCM5-TC-1250	239 16	239 16	1250

KCM5-TB
Terminal insulating barrier



Pack	Type	Cat.nos.	Applicable frame
1	KCM5-TB-125	239 21	125
1	KCM5-TB-160	239 22	160
1	KCM5-TB-250	239 23	250
1	KCM5-TB-400	239 24	400
1	KCM5-TB-630	239 25	630
1	KCM5-TB-1250	239 26	1250

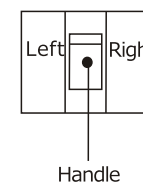
KCM5-EC
Front extension connector



Pack	Type	Cat.nos.	Applicable frame
1	KCM5-EC-125	239 31	125
1	KCM5-EC-160	239 32	160
1	KCM5-EC-250	239 33	250
1	KCM5-EC-400	239 34	400
1	KCM5-EC-630	239 35	630
1	KCM5-EC-1250	239 36	1250

Applicable for KCM5 series

Model	KCM5-125	KCM5-160	KCM5-250	KCM5-400	KCM5-630	KCM5-1250
Alarm switch						
Shunt release						
Auxiliary switch						
Undervoltage release						
Shunt release, auxiliary switch						
Two groups of auxiliary switch						
Auxiliary switch, undervoltage release						
Shunt release, alarm switch						
Auxiliary switch, alarm switch						
Undervoltage release, alarm switch						
Shunt release, auxiliary switch, alarm switch						
Two groups of auxiliary switch, alarm switch						
Auxiliary switch, undervoltage release, alarm switch						
Two groups of auxiliary switch, shunt release						

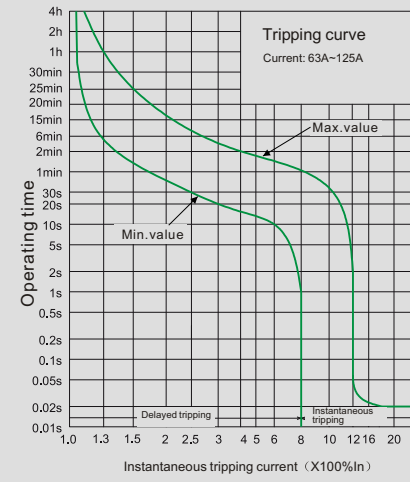
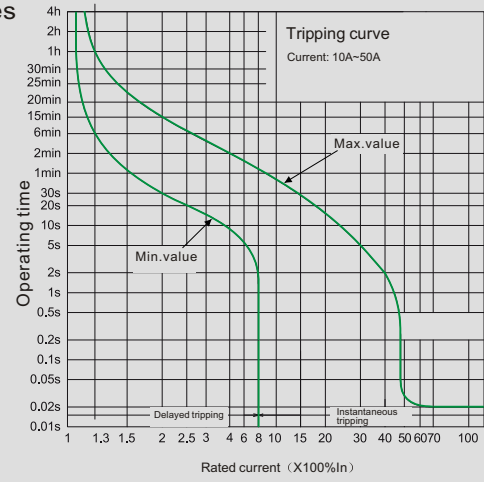


- Alarm switch
- Auxiliary switch
- Shunt release
- Undervoltage release

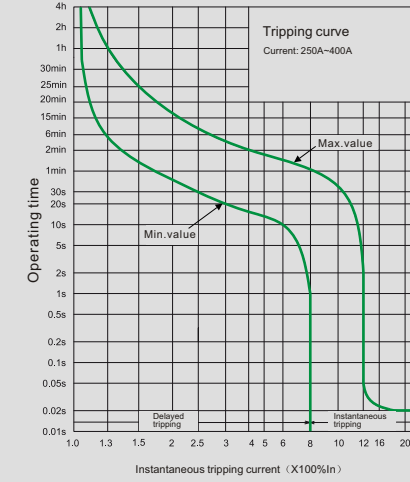


FOR OTHER VERSIONS:
Please consult ONESTO or local distributor.

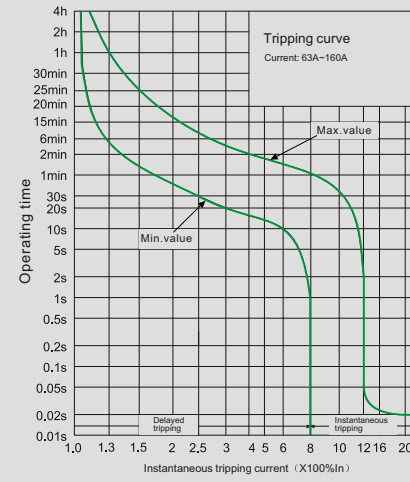
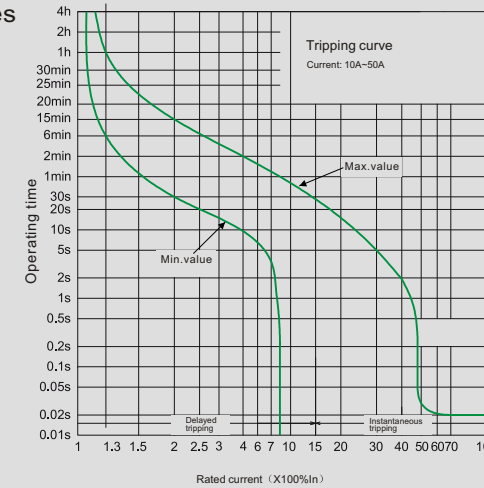
KCM5-125 Series



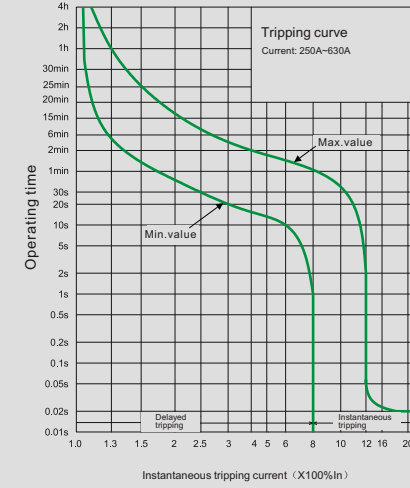
KCM5-400 Series



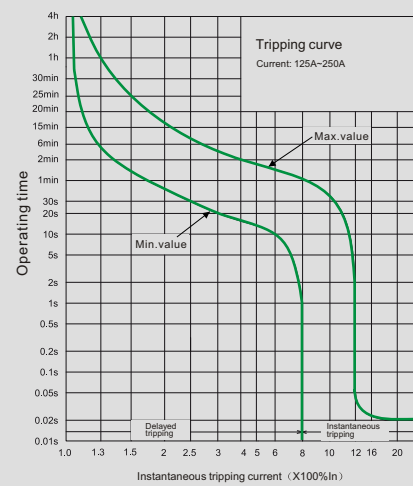
KCM5-160 Series



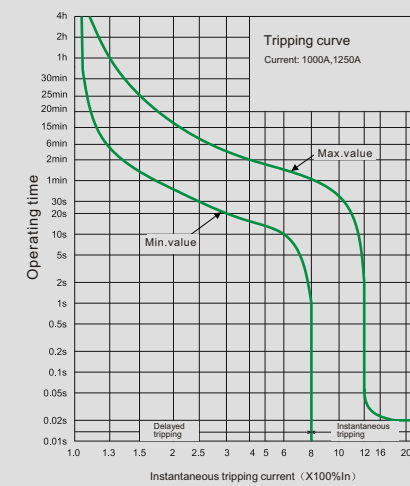
KCM5-630 Series



KCM5-250 Series

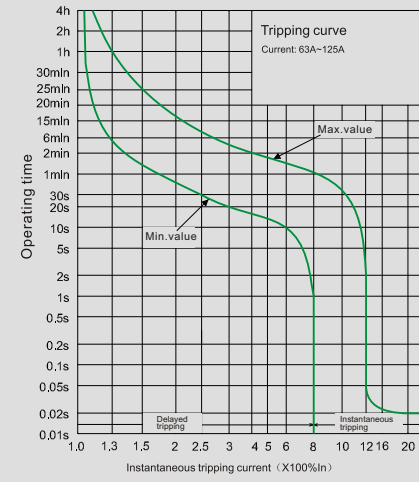
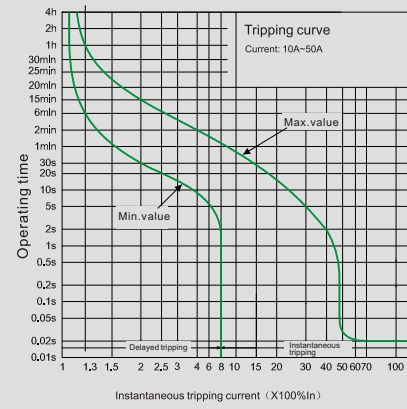


KCM5-1250 Series

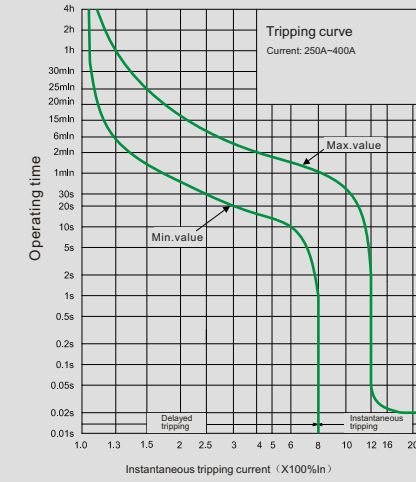


FOR OTHER VERSIONS:
Please consult ONESTO or local distributor.

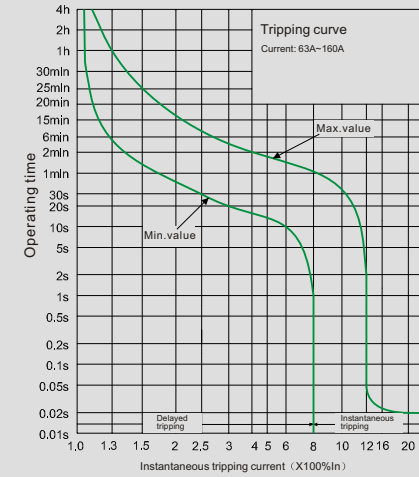
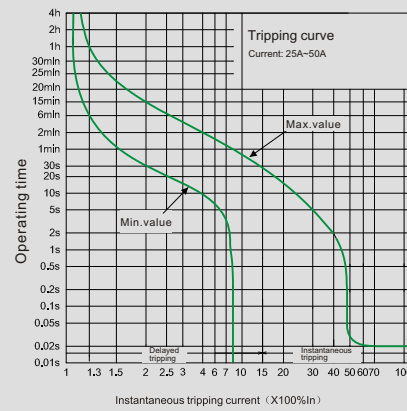
KCM5-125 Series



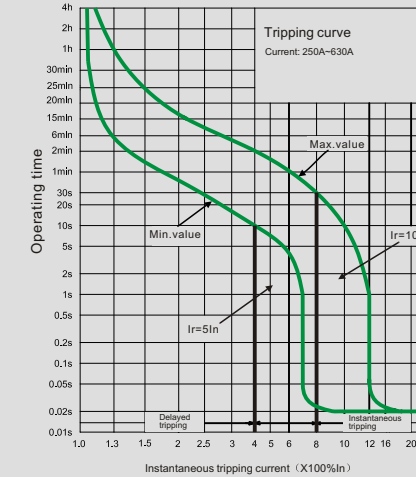
KCM5-400 Series



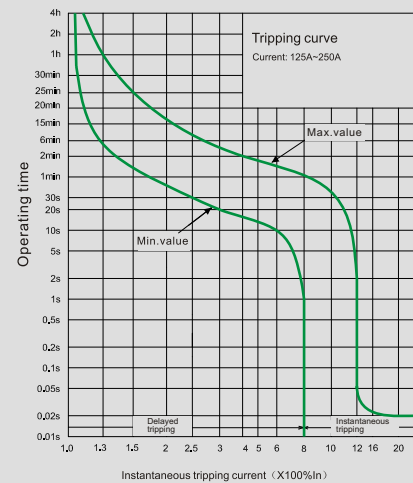
KCM5-160 Series



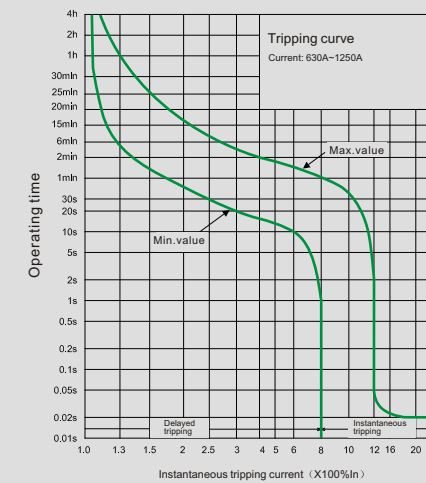
KCM5-630 Series



KCM5-250 Series

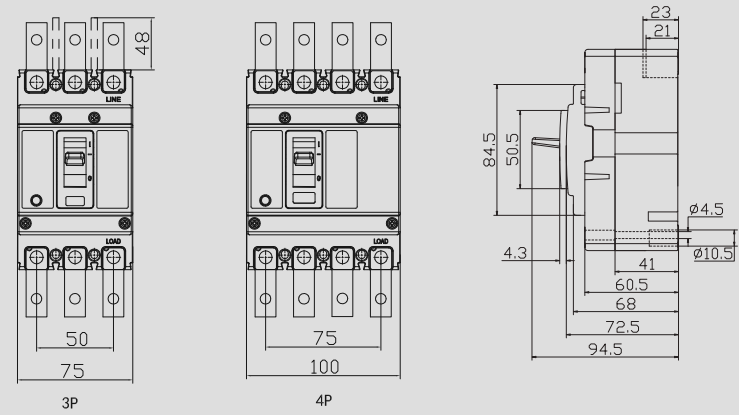


KCM5-1250 Series

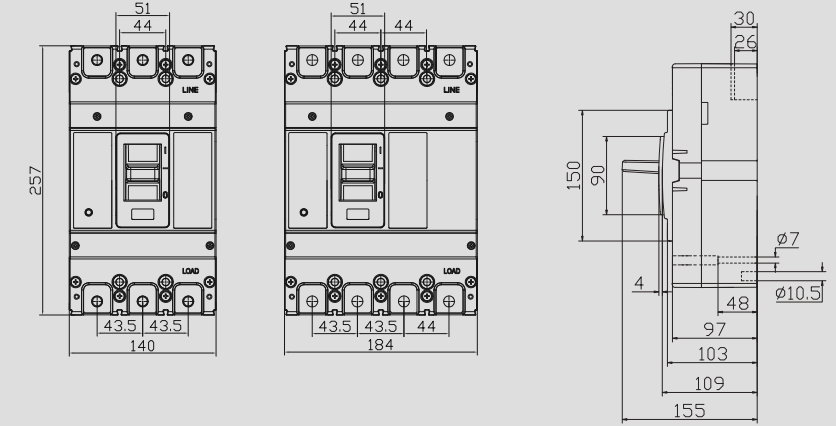


FOR OTHER VERSIONS:
Please consult ONESTO or local distributor.

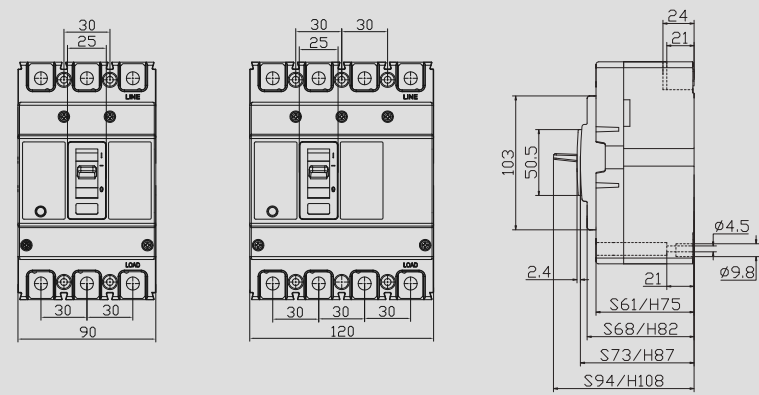
KCM5-125 Series



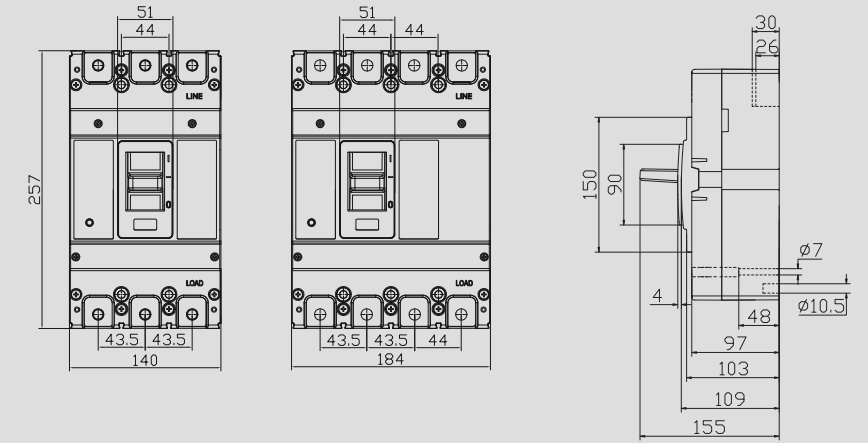
KCM5-400 Series



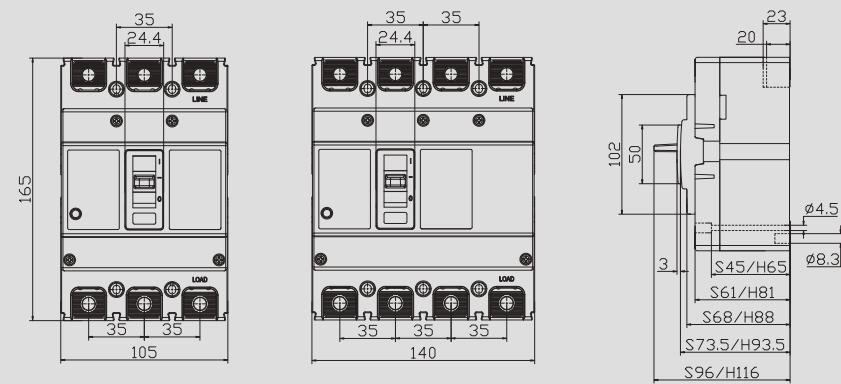
KCM5-160 Series



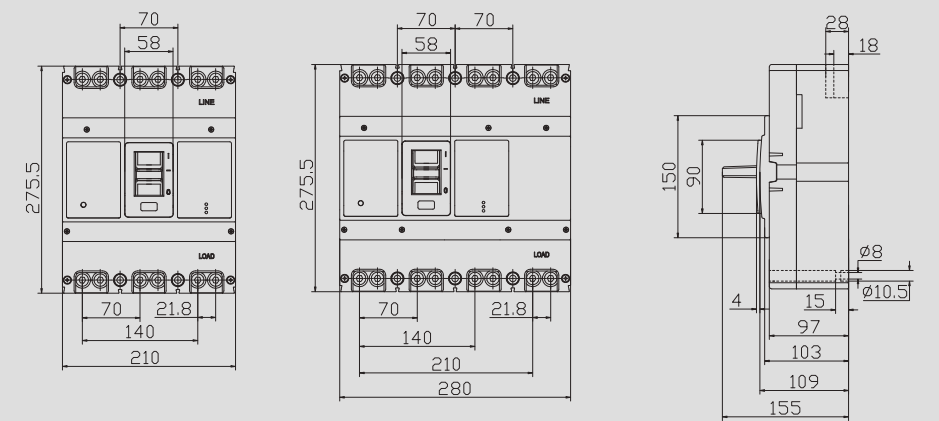
KCM5-630 Series



KCM5-250 Series



KCM5-1250 Series



FOR OTHER VERSIONS:
Please consult ONESTO or local distributor.