

*VGA Distribution Amplifiers*

*Excellent solutions for conferences*



VGA分配放大器

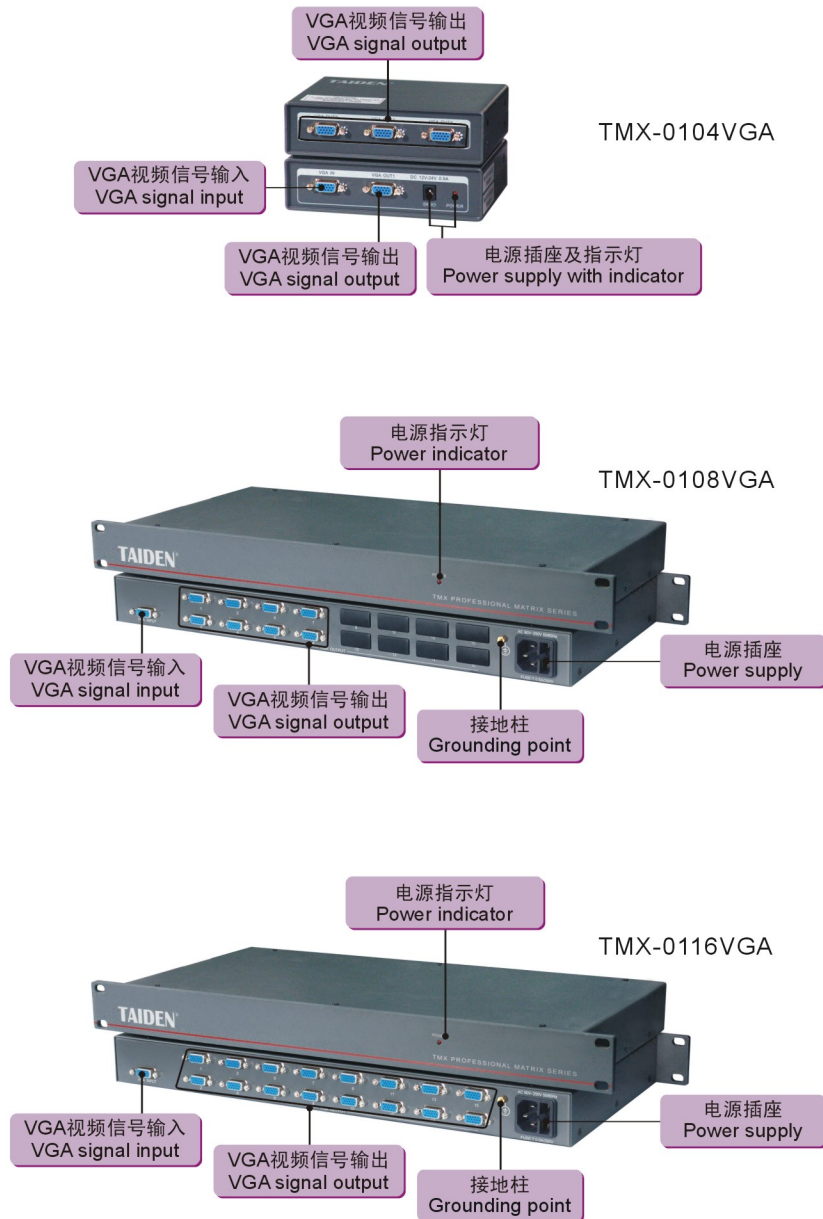
User's Manual

用户手册

V 1.0

TAIDEN INDUSTRIAL CO.,LTD.

## 功能指示 / Functions and indications

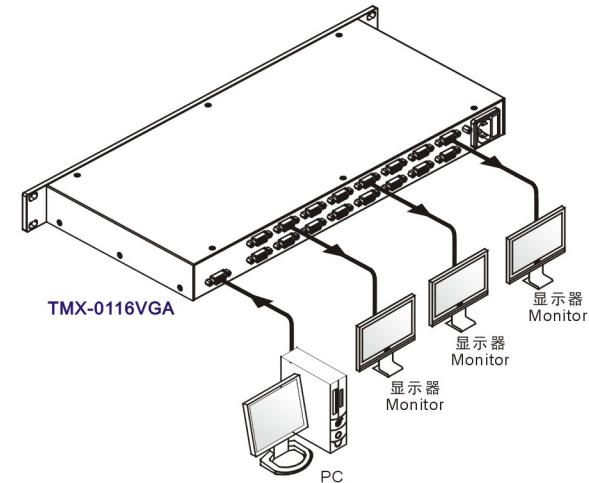


注意：请使用原厂提供的专用电源适配器或电源线。

Note: Please use the specific power adapter or power cable only.

## 系统连接图 / System Connection

VGA分配器用于将VGA视频输入信号同步切换到视频输出通道中的任意通道上。  
VGA Distribution Amplifier transfers VGA input to any or all output channels.



## 技术参数 / Technical Specifications

视频带宽.....300 MHz (-3dB), 满载  
分辨率.....高达1600×1200 @ 60 Hz  
信号类型.....VGA~UXGA视频信号  
连接器.....输入: 1个15针HDF插座;  
输出: 4、8、16个15针HDF插座

电源:

0104VGA.....12 V DC - 24 V DC, 0.5 A  
0108VGA/0116VGA.....100 V AC - 240 V AC, 50/60 Hz

温度:

工作温度.....0°C - +50°C  
储存温度.....-20°C - +70°C  
湿度.....10% to 90%

尺寸:

0104VGA.....40×150×100 mm  
0108VGA/0116VGA.....43×483×208 mm

重量: :

0104VGA.....0.4 kg  
0108VGA/0116VGA.....2.7 kg

Bandwidth.....300 MHz (-3dB), fully loaded  
Pixel resolution....Up to 1600×1200 @ 60 Hz  
Signal type.....VGA~UXGA RGBHV, RGBs, RGSBs, HDTV, component video, S-video and composite video

Connectors.....Input: 1×15-pin HDF;  
output: 4, 8, 16×15-pin HDF

Power supply:

0104VGA.....12 V DC to 24 V DC, 0.5 A  
0108VGA/0116VGA...100 V AC to 240 V AC, 50/60 Hz

Temperature:

Operating.....0 °C to + 50°C  
Storage.....-20°C to + 70°C  
Humidity.....10% to 90%

Dimensions:

0104VGA.....40×150×100 mm  
0108VGA/0116VGA.....43×483×208 mm

Weight:

0104VGA.....0.4 kg  
0108VGA/0116VGA.....2.7 kg