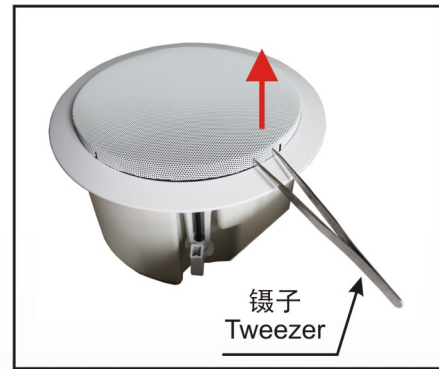
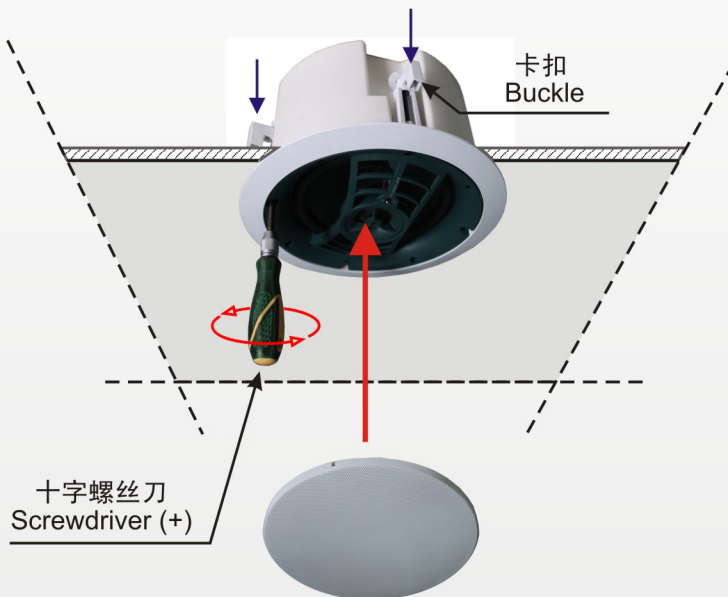


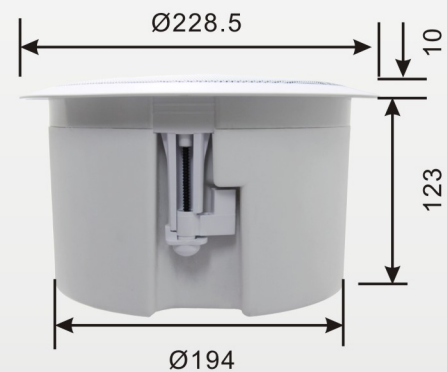
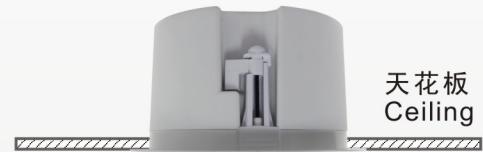
1) 在天花板上开一安装孔;
Drill a hole in the ceiling;



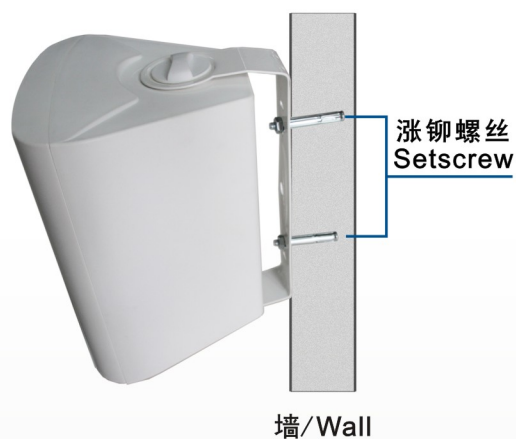
2) 用镊子将喇叭网拆下;
Take down the netting with a tweezer;



3) 将音箱装入安装孔内，用螺丝刀把四个卡扣锁紧，再将喇叭网装上即可。
Install the speaker into the hole and fix the four buckles with a screwdriver, and then install the netting.



(单位/unit: mm)



壁挂式安装/Wall mounted

结合安装尺寸图，在墙壁上适当距离钻孔，将相应尺寸的涨铆螺丝钉入墙内，用螺母锁紧音箱即可。

Drill two holes in the wall according to the installation size and put the corresponding setscrews into the mounting holes, then fix the speaker on the wall with nuts.

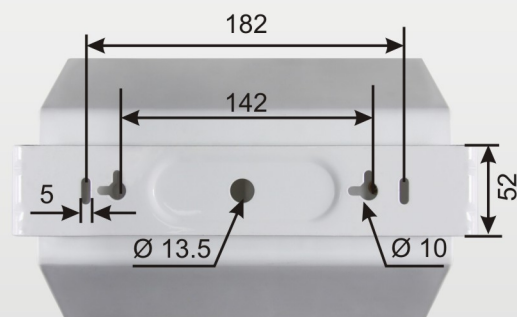


支架式安装/ Tripod mounted

音箱放置于三脚架固定片上，并用蝶形螺母锁紧即可。

Put the speaker on the tripod bracket and fix it with the wing nuts.

安装尺寸 Installation size



(单位/unit: mm)