

技术参数 / Technical Specifications

视频

最大码率.....2.25 Gbps
分辨率.....高达HDTV (1080p)
.....或1920×1200 @ 60 Hz

视频输入

信号类型.....差分TMDS数字信号
连接器.....HDMI A型插座
均衡.....+ 6 dB, + 12 dB

视频输出

信号类型.....差分TMDS 数字信号
连接器.....HDMI A型插座
预加重.....0 dB, 2 dB, 4 dB, 6 dB

控制种类

串行控制端口.....RS232. 3.5mm TRS插座
接中控.....波特率: 9600; 数据位: 8位
.....停止位: 1; 无奇偶校验位
接PC软件.....波特率: 38400; 数据位: 8位
.....停止位: 1; 无奇偶校验位
串行控制口结构.....R=TX, T=RX, S=GND
PC控制程序.....Matrix Switcher

规格

电源.....12 V DC
温度:
工作温度.....0℃ - +50℃
储存温度.....-20℃ - +70℃
湿度.....10%-90%
尺寸.....150×100×40 mm
重量.....0.4 kg

Video

Max. data rate2.25 Gbps
Resolution.....Up to HDTV (1080p) or
.....1920×1200 @ 60 Hz

Video Input

Signal type.....TMDS
Connectors.....Female HDMI type A connector
Equalization.....6 dB, 12 dB

Video Output

Signal type.....TMDS
Connector.....Female HDMI type A connector
Pre-emphasize.....0 dB, 2 dB, 4 dB, 6dB

Control

COM (RS-232).....3.5 mm TRS jack,
.....R=TX, T=RX, S=GND
Connecting to central control.....Baudrate: 9600,
... data: 8 bits, stop: 1 bit, no parity
Connecting to PC software.....Baudrate: 38400,
...data: 8 bits, stop: 1 bit, no parity
PC control.....Matrix Switcher

General specs

Power supply.....12 V DC
Temperature
Operating.....0℃ to + 50℃
Storage.....-20℃ to + 70℃
Humidity.....10% to 90%
Dimensions.....40×150×100 mm
Weight.....0.4 kg

TAIDEN®

HDMI Switcher

Excellent solutions for conferences



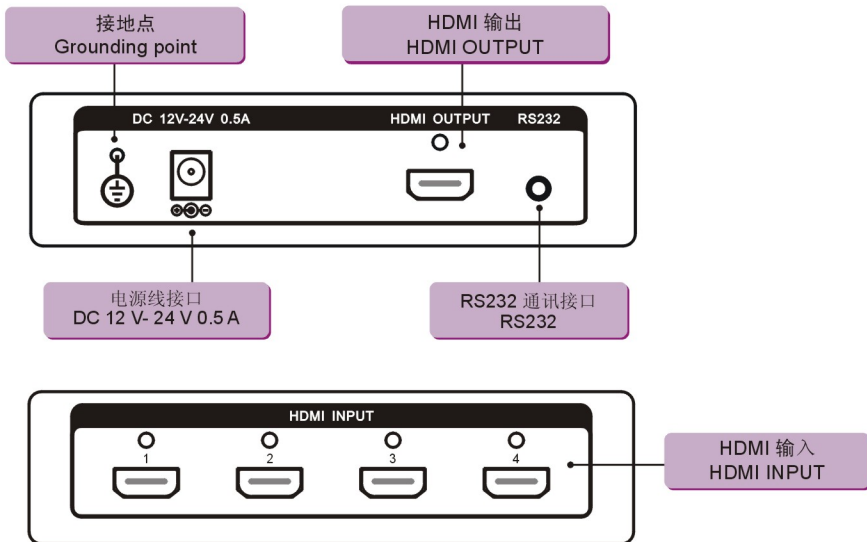
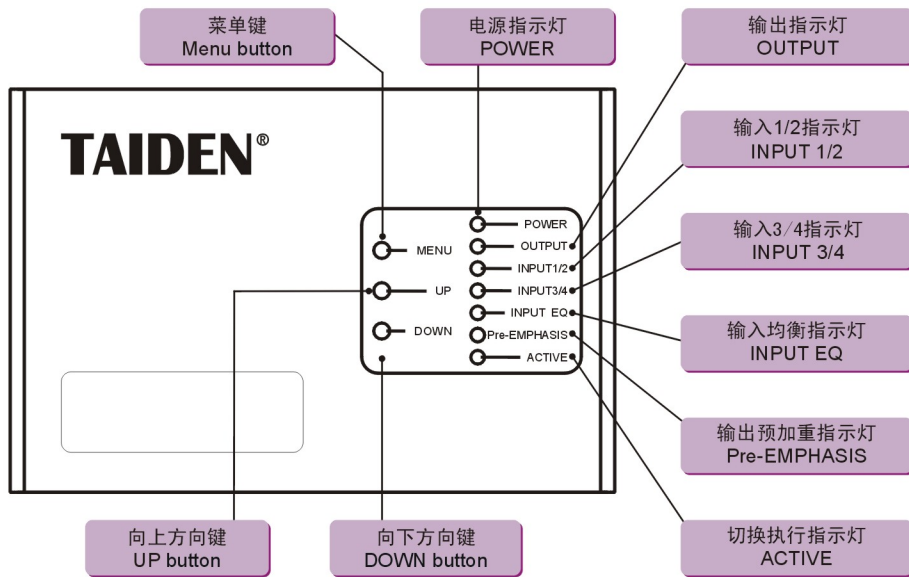
HDMI 切换器

User's Manual

用户手册

V 1.0

功能指示 / Functions and Indications



以TMX-0401HDMI为例，TMX-0201HDMI 切换器只具有2路输入。
Take TMX-0401HDMI as example, only 2 inputs for TMX-0201HDMI.

设置及操作 / Setup and Operation

■ 设置

- 按“MENU”键循环选择下列菜单：
 - 输入均衡(INPUT EQ)
 - 输出预加重(Pre-EMPHASIS)

- 选中菜单项所对应的指示灯亮起，此时可通过按“UP”/“DOWN”键选择合适的参数。

■ 串口选择

当“INPUT EQ”及“Pre-EMPHASIS”两灯同时亮时，按“UP”或“DOWN”选择串口通讯方式：

- 连接TAIDEN矩阵软件（需退出设置菜单）；
- 升级程序或连接中控（重启电源的默认串口通讯方式）。

■ 输出选择

在非设置菜单，按“UP”或“DOWN”切换输入通道，输入、输出接入后对应LED灯亮；切换时“ACTIVE”灯闪烁。此种设备音、视频同步切换。

■ Menu setup

- Press "MENU" to browse the menu, including:
 - INPUT EQ
 - Pre-EMPHASIS
- The indicator of the selected menu item will turn on. At this time, use the "UP"/"DOWN" button to select the appropriate parameter.

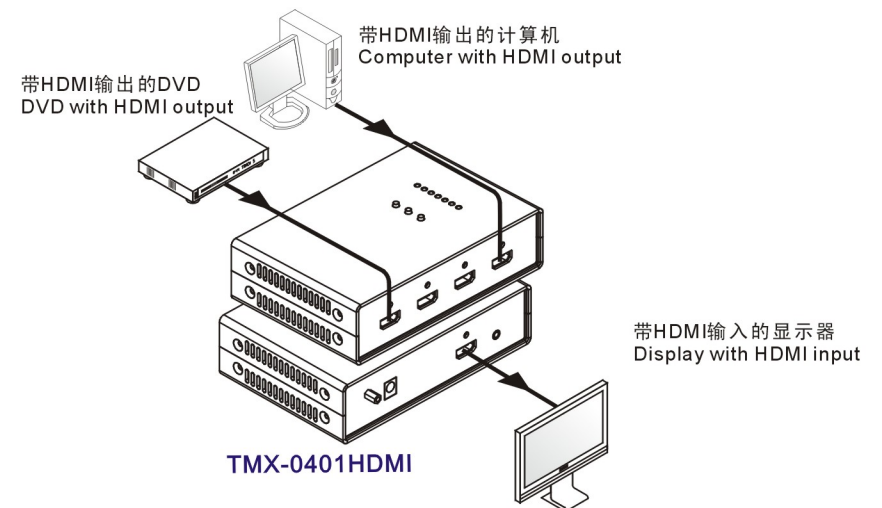
■ Serial port configuration

When lights of "INPUT EQ" and "Pre-EMPHASIS" turn on at the same time, press "UP" / "DOWN" to select the serial port communication type: one for connecting to PC software that needs to exit the setup menu; the other for updating firmware or connecting to central control system, which is the default when reboot.

■ Output selection

when not in setup menu, press "UP" / "DOWN" can switch between inputs and corresponding lights will turn on. When switching, "ACTIVE" will turn on. Audio and video will be switched synchronously.

系统连接图 / System Connection



注意：请使用原厂提供的专用电源适配器。

Note: Please use the specific power adapter only.