

Video Distribution Amplifiers

Excellent solutions for conferences

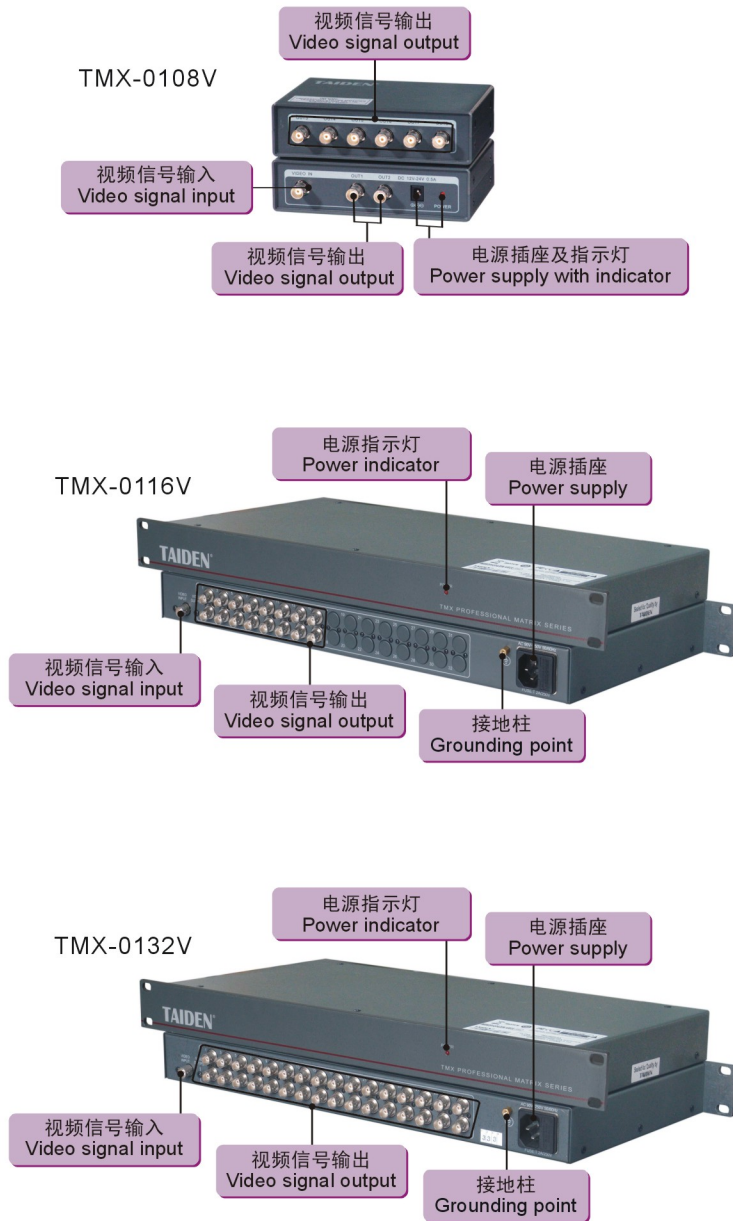


视频分配放大器

User's Manual
用户手册
V 1.0

TAIDEN INDUSTRIAL CO.,LTD.

功能指示 / Functions and indications

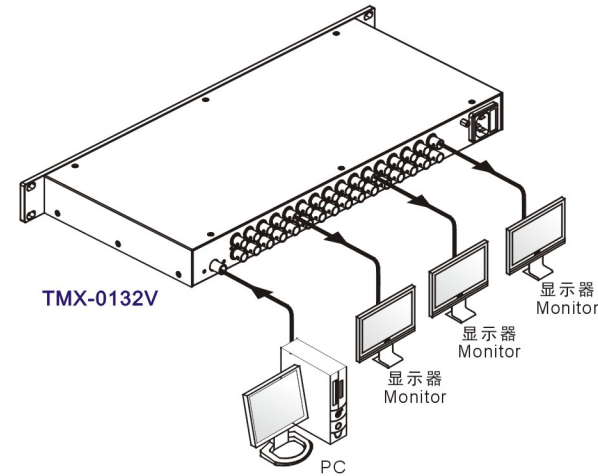


注意：请使用原厂提供的专用电源适配器或电源线。

Note: Please use the specific power adapter or power cable only.

系统连接图 / System Connection

视频分配放大器用于将复合视频输入信号同步切换到视频输出通道中的任意通道上。
Video Distribution Amplifier transfers video input to any or all output channels.



技术参数 / Technical Specifications

视频带宽.....125 MHz (-3dB), 满载
 输入/输出阻抗.....75 Ohm
 信号类型.....复合视频
 连接器.....输入: 1个BNC插座;
 输出: 8、16、32个BNC插座

电源:
 0108V.....12 V DC - 24 V DC, 0.5 A
 0116V/0132V.....100 V AC - 240 V AC,
 50/60 Hz

温度:
 工作温度.....0°C - +50°C
 储存温度.....-20°C - +70°C
 湿度.....10% to 90%

尺寸:
 0108V.....40×150×100 mm
 0116V/0132V.....43×483×208 mm

重量:
 0108V.....0.4 kg
 0116V/0132V.....2.7 kg

Bandwidth.....125 MHz (-3dB), fully loaded
 Input/output impedance.....75 Ohm
 Signal type.....Composite video
 Connectors.....Input: 1×BNC female;
 output: 8, 16, 32×BNC female

Power supply:
 0108V.....12 V DC to 24 V DC, 0.5 A
 0116V/0132V.....100 V AC to 240 V AC,
 50/60 Hz

Temperature:
 Operating.....0 °C to + 50°C
 Storage.....-20°C to + 70°C
 Humidity.....10% to 90%

Dimensions:
 0108V.....40×150×100 mm
 0116V/0132V.....43×483×208 mm

Weight:
 0108V.....0.4 kg
 0116V/0132V.....2.7 kg