

VGA Distribution Amplifiers

Excellent solutions for conferences



VGA分配放大器

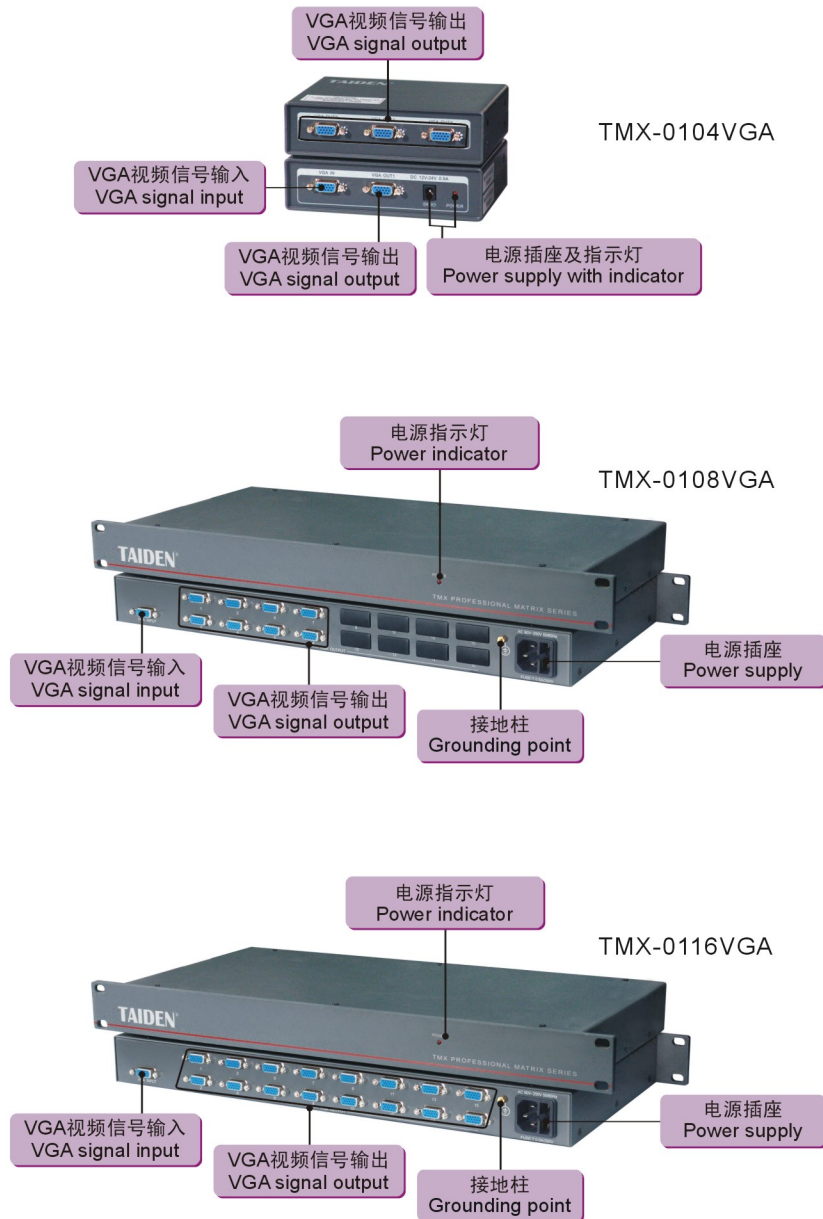
User's Manual

用户手册

V 1.0

TAIDEN INDUSTRIAL CO.,LTD.

功能指示 / Functions and indications

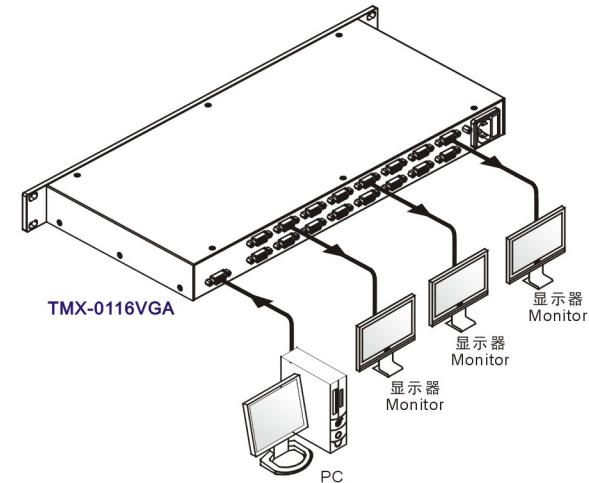


注意：请使用原厂提供的专用电源适配器或电源线。

Note: Please use the specific power adapter or power cable only.

系统连接图 / System Connection

VGA分配器用于将VGA视频输入信号同步切换到视频输出通道中的任意通道上。
VGA Distribution Amplifier transfers VGA input to any or all output channels.



技术参数 / Technical Specifications

视频带宽.....300 MHz (-3dB), 满载
分辨率.....高达1600×1200 @ 60 Hz
信号类型.....VGA~UXGA视频信号
连接器.....输入: 1个15针HDF插座;
输出: 4、8、16个15针HDF插座

电源:

0104VGA.....12 V DC - 24 V DC, 0.5 A
0108VGA/0116VGA.....100 V AC - 240 V
AC, 50/60 Hz

温度:

工作温度.....0℃ - +50℃
储存温度.....-20℃ - +70℃
湿度.....10% to 90%

尺寸:

0104VGA.....40×150×100 mm
0108VGA/0116VGA.....43×483×208 mm

重量: :

0104VGA.....0.4 kg
0108VGA/0116VGA.....2.7 kg

Bandwidth.....300 MHz (-3dB), fully loaded
Pixel resolution....Up to 1600×1200 @ 60 Hz
Signal type.....VGA~UXGA RGBHV, RGBs,
RGsB, RsGsBs, HDTV,
component video, S-video
and composite video

Connectors.....Input: 1×15-pin HDF;
output: 4, 8, 16×15-pin HDF

Power supply:

0104VGA.....12 V DC to 24 V DC, 0.5 A
0108VGA/0116VGA...100 V AC to 240 V AC,
50/60 Hz

Temperature:

Operating.....0℃ to +50℃
Storage.....-20℃ to +70℃
Humidity.....10% to 90%

Dimensions:

0104VGA.....40×150×100 mm
0108VGA/0116VGA.....43×483×208 mm

Weight:

0104VGA.....0.4 kg
0108VGA/0116VGA.....2.7 kg