

技术参数 / Technical Specifications

视频

输入.....1路SD/HD-SDI,3G HD-SDI,BNC接口
 输出.....1路SD/HD-SDI,3G HD-SDI,BNC接口
 1路HDMI输出（不支持CEC、HDCP）
 1路VGA输出
 SDI输入输出码率.....1.485 Gb/s和2.97 Gb/s

音频

音频输出.....1个3PIN凤凰头
 输出阻抗.....< 15 Ω
 信噪比.....> 85 dB
 通道分离度.....> 60 dB
 频响.....30 - 20 kHz (-3 dB)

控制种类

串行控制端口.....RS232, 3PIN凤凰头
 波特率: 9600; 数据位: 8位
 停止位: 1; 无奇偶校验位

规格

电源.....9 - 12 V DC
 温度:
 工作温度.....0°C - +50°C
 储存温度.....-20°C - +70°C
 湿度.....10% - 90%
 尺寸.....150×100×40 mm
 重量.....0.4 kg

Video

Input1 SD/HD-SDI, 3G HD-SDI on a BNC connector
 Output.....1 SD/HD-SDI, 3G HD-SDI on a BNC connector; 1 HDMI connector (unsupport CEC and HDCP); 1 VGA
 Input/output data rate....1.485 Gb/s and 2.97 Gb/s

Audio

Output.....1 3-pin Phoenix
 Impedance.....< 15 Ω
 S/N.....> 85 dB
 Stereo channel separation.....> 60 dB
 Frequency response.....30 - 20 kHz (-3 dB)

Control

COM (RS-232).....3-pin Phoenix
 Baudrate: 9600, data: 8 bits
 stop: 1 bit, no parity

General specs

Power supply.....9 - 12 V DC
 Temperature
 Operating.....0 °C to + 50°C
 Storage.....-20°C to + 70°C
 Humidity.....10% - 90%
 Dimensions.....40×150×100 mm
 Weight.....0.4 kg

分辨率优选配置表 / Commendatory assignation of resolutions

Output \ Input	SDI to HDMI							SDI to VGA	
	AUTO	1280×720p60	1280×720p50	1920×1080i60	1920×1080i50	1920×1080p60	1920×1080p50	1024×768p60	1280×1024p60
1280×720p60	✓	✓		✓		✓		✓	✓
1280×720p50	✓		✓		✓		✓		
1920×1080p30	✓								
1920×1080i60	✓	✓		✓		✓		✓	✓
1920×1080i50	✓		✓		✓		✓		
1920×1080p50	✓		✓		✓		✓		
1920×1080p60	✓	✓		✓		✓		✓	✓

TAIDEN®

TMX-HDSDI2HDMI 3G HD-SDI to HDMI Converter

Excellent solutions for conferences



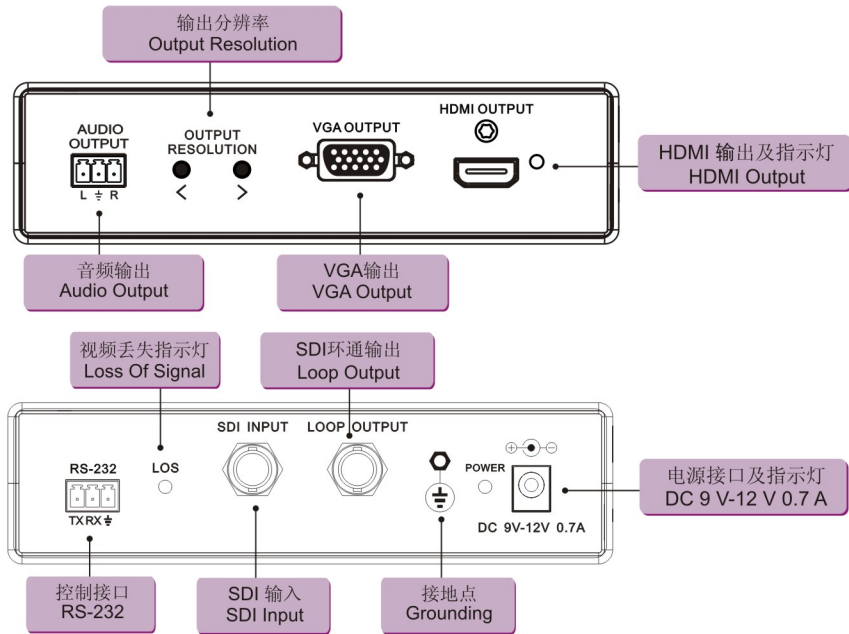
3G HD-SDI to HDMI 转换器

User's Manual

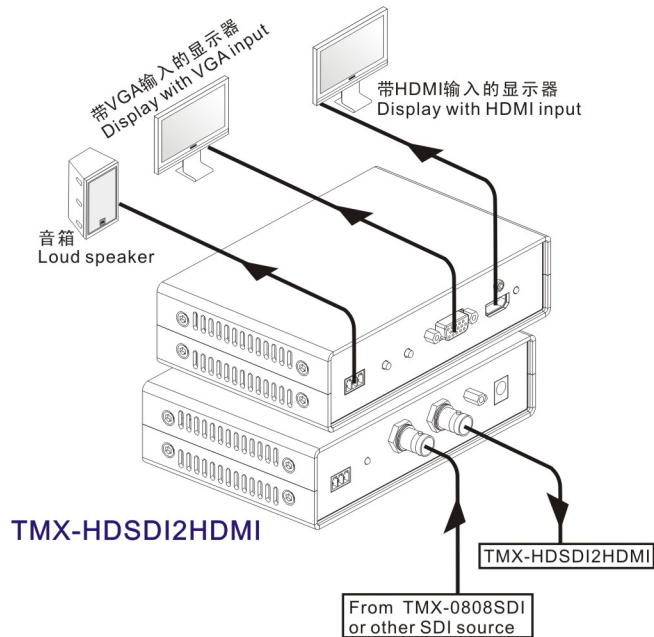
用户手册

V 1.1

功能指示 / Functions and Indications



系统连接图 / System Connection



设置及操作 / Setup and Operation

TMX-HDSDI2HDMI转换器将SDI视频输入信号经视频DSP处理后再编码成带音频嵌入的HDMI码流输出，也可同时输出VGA信号，以方便本地监控。

TMX-HDSDI2HDMI transfers SDI input into HDMI signal as digital audio and video output, and also into VGA signal at the same time, that is convenient for local monitor.

■ 设置

1. 根据需求连接好相应设备后，接上电源即可，此时电源指示灯亮起。

注意：本机的按键响应时间为300毫秒。

2. 可通过<、>按键选择输出分辨率：

VGA输出：800×600p60/75, 1400×1050p60, 1024×768p60/75, 1360×768p60, 1280×1024p60/75;

HDMI输出：（包括以上VGA输出分辨率）
720×480p60, 720×576p50, 1280×720p60/50/30/25, 1920×1080p60/50/30/25, 1920×1080i60/50, AUTO。

注意：HDMI有输出时其指示灯将亮起。

3. 同时按住<、>按键可在OSD状态菜单和输出类型菜单间进行切换，在相应菜单下可通过<、>按键进行选择：

OSD状态：选择是否显示输入输出分辨率及提示“Video loss!”。选ON则显示，OFF则不显示；
输出类型：VGA或HDMI，两者不同时输出。

4. 同时按住<、>按键开机，1-2s后松开按键，可将输出类型设置为HDMI，分辨率为AUTO，OSD状态为OFF，同时关闭VGA输出。

5. 视频丢失时LOS指示灯亮起，并将视频冻结或显示蓝屏，OSD状态为ON时，显示屏将提示“Video loss!”。

■ 输入选择

SDI输入支持多种视频格式且具自适应性，可根据视频输入格式自动配置参数：

HD 720p: 25,30,50,60;

HD 1080i: 50,60;

HD 1080p: 24,25,30;

3G 1080p: 50,60。

注意：请使用原厂提供的专用电源适配器。

Note: Please use the specific power adapter only.

■ Setup

1. Connect to the devices and power on, the indicator of the power will be turn on.

Note: The button response time is 300 ms.

2. Use < > to select the resolution of output:

VGA output: 800×600p60/75, 1400×1050p60, 1024×768p60/75, 1360×768p60, 1280×1024p60/75;

HDMI output: (includes the resolutions of VGA)
720×480p60, 720×576p50, 1280×720p60/50/30/25, 1920×1080p60/50/30/25, 1920×1080i60/50, AUTO.

Note: The HDMI indicator will be turn on when the HDMI interface has output signal.

3. Press and hold on the < and > buttons can switch between the OSD status and output type menus, press < or > under the corresponding menu for selecting:

OSD status menu: select if display the resolution of input/output and the “Video loss!” or not.

Output type menu: VGA or HDMI, it can only put out one type at a time.

4. Press the < and > buttons at the same time for 1-2 seconds when power on to set the output type as HDMI and the resolution as AUTO, OSD status is OFF, and close the output of VGA at the same time.

5. LOS indicator turns on when video signal lost, and picture froze or blue screen displayed, “Video loss!” will be displayed when OSD status is ON.

■ Input selection

SDI input supports multiform video and can configure parameters according to the type of video input automatically:

HD 720p: 25,30,50,60;

HD 1080i: 50,60;

HD 1080p: 24,25,30;

3G 1080p: 50,60。