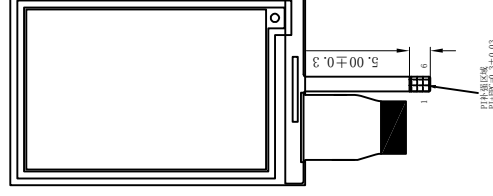
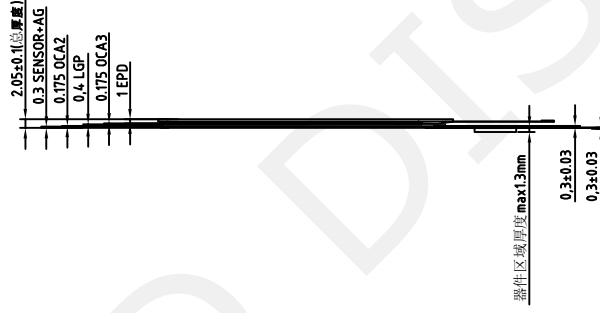
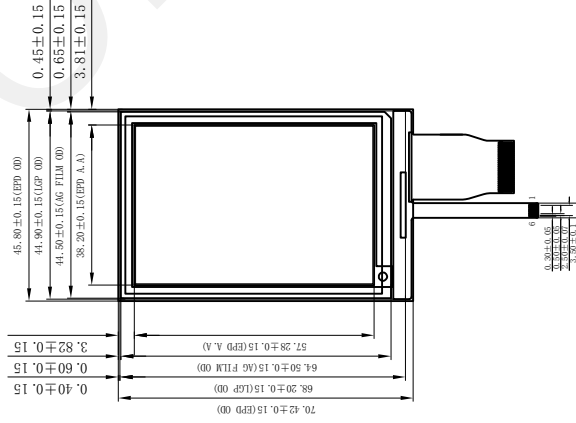


| | | | |
|---------|---------------|----------|------------|
| Version | Modify record | Recorder | Date |
| V1.0 | | | 2020-08-19 |

Front 1:1

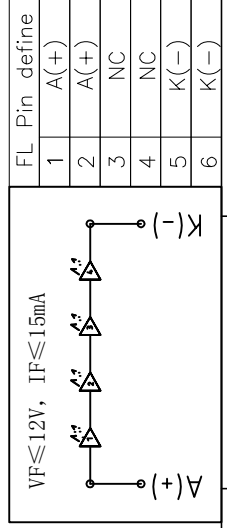
SIDE Horizontal 10:1

Back 1:1



Technical parameter

1. Full bonding process
2. Outline Dimension: 70.42x45.8x2.05
3. The front light is 4 LED lights connected in series, Voltage $\leq 12V$, Current $\leq 15mA$;
4. Surface Hardness: $\geq 6H$
5. Working Environment: $0^{\circ}C \sim +45^{\circ}C$, $\leq 90\%RH$
6. Storage Environment: $20^{\circ}C \sim +24^{\circ}C$, $\leq 40\% \sim 70\%RH$
7. Unmarked size tolerance is $\pm 0.2mm$



大连佳显电子有限公司
DALIAN GOOD DISPLAY CO., LTD

| | | |
|----------------------------|--|-----------------------|
| DRAWN BY: 绘图: | PRODUCT MODEL: 产品型号: GDEW027W3-FL02 | VIEW: 投影方式: 第三角投影法 |
| CHECKED BY: 审核: | CUSTOMER ID: 客户编号: GDEW027W3-FL02 | UNITS 单位: mm |
| APPROVED BY: 批准: | DATE: 日期: 2020-08-19 | SCALE 比例: 1:1 |
| Standard tolerance: 公差: | WEBSITE: 网址: | |

1. Frontlight technical parameters

1.1 Mechanical Specifications

| Parameter | Specifications | Unit | Remark |
|------------------------|---|------|--------|
| Display operating mode | Reflective mode | | |
| Surface Treatment | Anti-glare treatment for protective sheet | | |
| luminousness | >83 | % | |

1.2 Recommended driving condition for Front light

GND = 0 V, Ta = 25°C

| Parameter | Symbol | Min | TYP | MAX | Unit | Remark |
|-----------------------------------|--------|-----|-----|-----|------|--------|
| Supply voltage of LED Front light | VLED | - | - | 12 | V | |
| Supply current of LED Front light | ILED | - | - | 15 | mA | |
| Front light Power Consumption | PLED | - | - | 180 | mW | Note 1 |