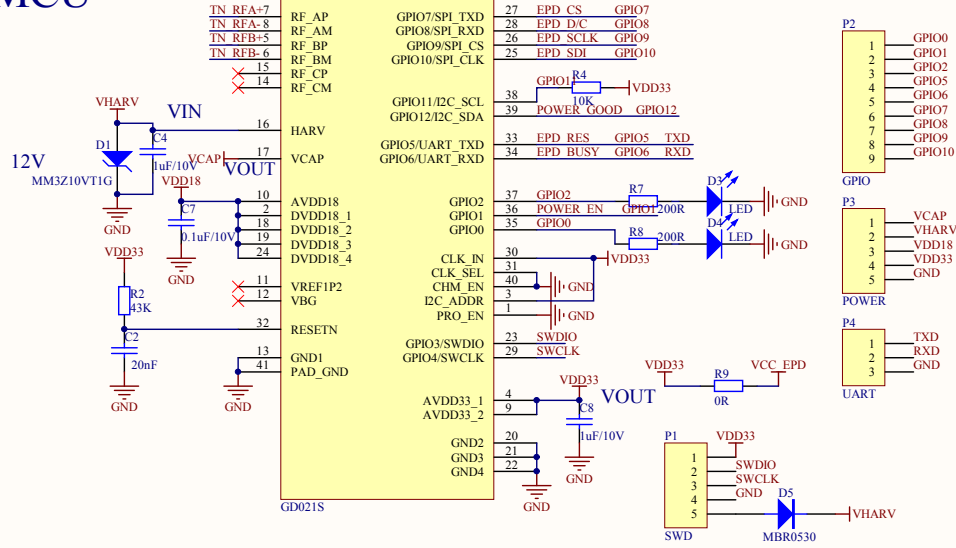
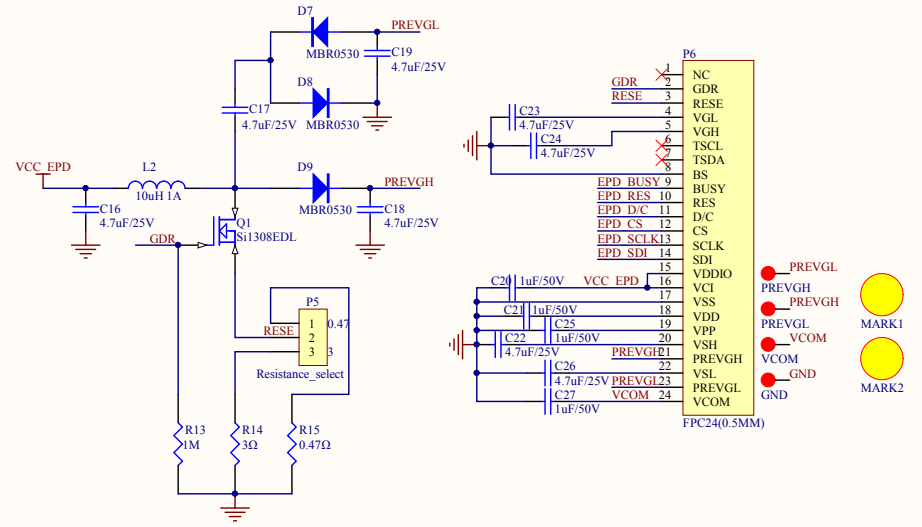


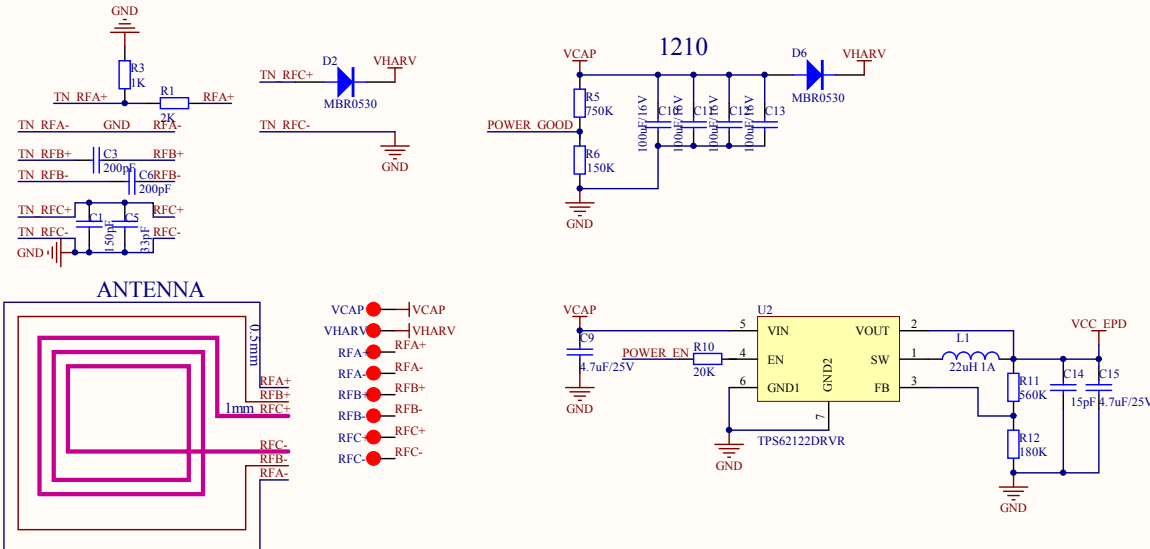
MCU



EPD DRIVER



POWER



Title		
Size	Number	Revision
Date:	2021/4/15	Sheet of
File:	F:_NFC-DEMO SCH.SCH	Drawn By: