



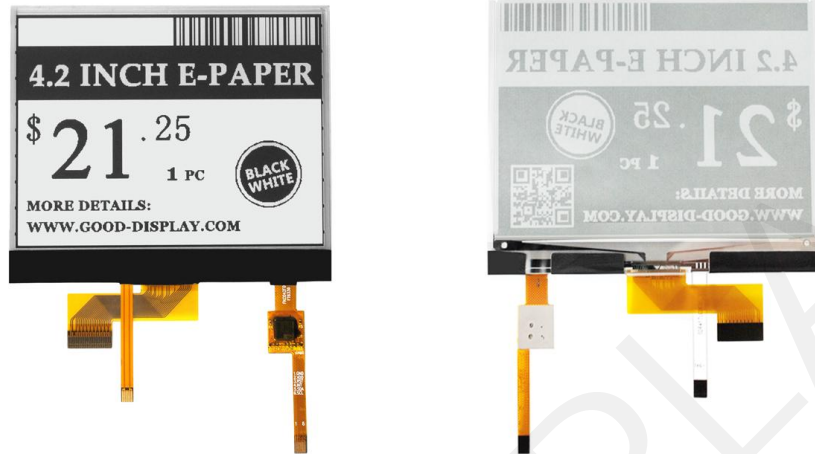
## **4.2 inch E-paper Display Series**



**GDEY042T81-FT02**

**Dalian Good Display Co., Ltd.**

# Product Specifications



<b>Customer</b>	<b>Standard</b>
<b>Description</b>	<b>4.2" E-PAPER DISPLAY</b>
<b>Model Name</b>	<b>GDEY042T81-FT02</b>
<b>Date</b>	<b>2023/08/09</b>
<b>Revision</b>	<b>1.0</b>

	Design Engineering		
	Approval	Check	Design
			

No.18, Zhonghua West ST,Ganjingzi DST,Dalian,CHINA

Tel: +86-411-84619565

Email: info@good-display.com

Website: www.good-display.com

## CONTENTS

1. Over View.....	6
2. Features .....	6
3. Mechanical Specification.....	6
4. Mechanical Drawing of EPD Module.....	7
5. Input/output Pin Assignment.....	8
6. Electrical Characteristics.....	9
6.1 Absolute Maximum Rating.....	9
6.2 Panel DC Characteristics.....	10
6.3 Panel AC Characteristics.....	11
6.3.1 MCU Interface Selection.....	11
6.3.2 MCU Serial Interface (4-wire SPI).....	11
6.3.3 MCU Serial Interface (3-wire SPI).....	12
6.4.4 Interface Timing.....	13
7. Command Table.....	14
8. Optical Specification.....	28
9. Handling, Safety, and Environment Requirements.....	28
10. Reliability Test.....	29

---

11. Block Diagram.....	30
12. Reference Circuit.....	31
13. Matched Development Kit.....	32
14. Typical Operating Sequence.....	33
14.1 Normal Operation Flow.....	33
14.2 Normal Operation Reference Program Code.....	34
15. Inspection condition.....	35
15.1 Environment.....	35
15.2 Illuminance.....	35
15.3 Inspect method.....	35
15.4 Display area.....	35
15.5 Inspection standard.....	36
15.5.1 Electric inspection standard.....	36
15.5.2 Appearance inspection standard.....	37
16. Packaging.....	39
17. Precautions.....	40

**REVISION HISTORY**

Rev	Date	Item	Page	Remark
1.0	09.08.2023	New Creation	ALL	

GOODDISPLAY

## 1. Over View

GDEY042T81-FT02 is an Active Matrix Electrophoretic Display (AM EPD), with front light panel and capacitive touch panel. The display is capable to display images at 1-bit white, black full display capabilities. The 4.2inch active area contains 400×300 pixels. The module is a TFT-array driving electrophoresis display, with integrated circuits including gate driver, source driver, MCU interface, timing controller, oscillator, DC-DC, SRAM, LUT, VCOM. Module can be used in portable electronic devices, such as Electronic Shelf Label (ESL) System.

## 2.Features

- 400×300 pixels display
- High contrast High reflectance
- Ultra wide viewing angle Ultra low power consumption
- Pure reflective mode
- Bi-stable display
- Commercial temperature range
- Landscape portrait modes
- Hard-coat antiglare display surface
- Ultra Low current deep sleep mode
- On chip display RAM
- Waveform can stored in On-chip OTP or written by MCU
- Serial peripheral interface available
- On-chip oscillator
- On-chip booster and regulator control for generating VCOM, Gate and Source driving voltage
- I2C signal master interface to read external temperature sensor
- Support partial update mode
- Built-in temperature sensor

## 3.Mechanical Specifications

Parameter	Specifications	Unit	Remark
Screen Size	4.2	Inch	
Display Resolution	400(H)×300(V)	Pixel	Dpi:120
Active Area	84.8×63.6	mm	
Pixel Pitch	0.212×0.212	mm	
Pixel Configuration	Rectangle		
Outline Dimension	91 (H)×77 (V) ×2.25(D)	mm	
Weight	TBD	g	



## 5. Input /Output Pin Assignment

No.	Name	I/O	Description	Remark
1	NC		Do not connect with other NC pins	Keep Open
2	GDR	O	N-Channel MOSFET Gate Drive Control	
3	RESE	I	Current Sense Input for the Control Loop	
4	NC	NC	Do not connect with other NC pins	Keep Open
5	VSH2	C	Positive Source driving voltage(Red)	
6	TSCL	O	I <sup>2</sup> C Interface to digital temperature sensor Clock pin	
7	TSDA	I/O	I <sup>2</sup> C Interface to digital temperature sensor Data pin	
8	BS1	I	Bus Interface selection pin	Note 5-5
9	BUSY	O	Busy state output pin	Note 54
10	RES#	I	Reset signal input. Active Low.	Note 5-3
11	D/C#	I	Data /Command control pin	Note 5-2
12	CS#	I	Chip select input pin	Note 5-1
13	SCL	I	Serial Clock pin (SPI)	
14	SDA	I/O	Serial Data pin (SPI)	
15	VDDIO	P	Power Supply for interface logic pins It should be connected with VCI	
16	VCI	P	Power Supply for the chip	
17	VSS	P	Ground	
18	VDD	C	Core logic power pin VDD can be regulated internally from VCI. A capacitor should be connected between VDD and VSS	
19	VPP	P	FOR TEST	
20	VSH1	C	Positive Source driving voltage	
21	VGH	C	Power Supply pin for Positive Gate driving voltage and VSH1	
22	VSL	C	Negative Source driving voltage	
23	VGL	C	Power Supply pin for Negative Gate driving voltage VCOM and VSL	
24	VCOM	C	VCOM driving voltage	



I = Input Pin, O =Output Pin, I/O = Bi-directional Pin (Input/output), P = Power Pin, C =Capacitor Pin

**Note 5-1:** This pin (CS#) is the chip select input connecting to the MCU. The chip is enabled for MCU communication only when CS# is pulled LOW.

**Note 5-2:** This pin is (D/C#) Data/Command control pin connecting to the MCU in 4-wire SPI mode. When the pin is pulled HIGH, the data at SDA will be interpreted as data. When the pin is pulled LOW, the data at SDA will be interpreted as command.

**Note 5-3:** This pin (RES#) is reset signal input. The Reset is active low.

**Note 5-4:** This pin is Busy state output pin. When Busy is High, the operation of chip should not be interrupted, command should not be sent. The chip would put Busy pin High when -Outputting display waveform -Communicating with digital temperature sensor

**Note 5-5:** Bus interface selection pin

BS1 State	MCU Interface
L	4-lines serial peripheral interface(SPI) - 8 bits SPI
H	3- lines serial peripheral interface(SPI) - 9 bits SPI

## 6. Electrical Characteristics

### 6.1 Absolute Maximum Rating

Parameter	Symbol	Rating	Unit
Logic supply voltage	VCI	-0.5 to +6.0	V
Logic Input voltage	VIN	-0.5 to VCI+0.5	V
Logic Output voltage	VOU	-0.5 to VCI+0.5	V
Operating Temp range	TOPR	0 to +50	°C
Storage Temp range	TSTG	-25 to+70	
Optimal Storage Temp	TSTGo	23±2	°C
Optimal Storage Humidity	HSTGo	55±10	%RH

**Note:** 1. Maximum ratings are those values beyond which damages to the device may occur. Functional operation should be restricted to the limits in the Panel DC Characteristics tables.

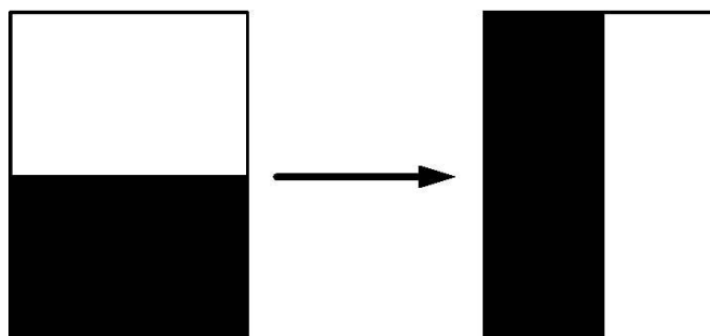
## 6.2 DC Characteristics

The following specifications apply for:  $V_{SS}=0V$ ,  $V_{CI}=3.0V$ ,  $TOPR = 23^{\circ}C$

Parameter	Symbol	Conditions	Applicable pin	Min.	Typ.	Max	Units
Single ground	$V_{SS}$	-		-	0	-	V
Logic supply voltage	$V_{CI}$	-	VCI	2.2	3.3	3.7	V
Core logic voltage	$V_{DD}$		VDD	1.7	1.8	1.9	V
High level input voltage	$V_{IH}$	-	-	$0.8 V_{CI}$	-	-	V
Low level input voltage	$V_{IL}$	-	-	-	-	$0.2 V_{CI}$	V
High level output voltage	$V_{OH}$	$IOH = -100\mu A$	-	$0.9 V_{CI}$	-	-	V
Low level output voltage	$V_{OL}$	$IOL = 100\mu A$	-	-	-	$0.1 V_{CI}$	V
Typical power	$P_{TYP}$	$V_{CI}=3.0V$	-	-	18.48	-	mW
Deep sleep mode	$P_{STPY}$	$V_{CI}=3.0V$	-	-	TBD	0.0165	mW
Typical operating current	$Iopr\_V_{CI}$	$V_{CI}=3.0V$	-	-	5.6	-	mA
Image update time	-	$25^{\circ}C$	-	-	3	-	sec
Sleep mode current	$Islp\_V_{CI}$	DC/DC off No clock No input load Ram data retain	-	-	TBD	-	$\mu A$
Deep sleep mode current	$Idslp\_V_{CI}$	DC/DC off No clock No input load Ram data not retain	-	-	2	5	$\mu A$

### Notes:

1. This screen could support full refresh(3s), fast refresh(1.5s or 1s) and partial refresh (0.42s).
2. The typical power is measured with following transition from horizontal 2 scale pattern to vertical 2 scale pattern.
3. The deep sleep power is the consumed power when the panel controller is in deep sleep mode.
4. The listed electrical/optical characteristics are only guaranteed under the controller & waveform provided by GOOD DISPLAY



## 6.3AC Characteristics

### 6.3.1 MCU Interface Selection

The IC can support 3-wire/4-wire serial peripheral. MCU interface is pin selectable by BS1 shown in Table 6-1.

Table 6-1 : Interface pins assignment under different MCU interface

MCU Interface	Pin Name					
	BS1	RES#	CS#	D/C#	SCL	SDA
4-wire serial peripheral interface (SPI)	L	RES#	CS#	DC#	SCL	SDA
3-wire serial peripheral interface (SPI) – 9 bits SPI	H	RES#	CS#	L	SCL	SDA

**Note :** (1) L is connected to VSS and H is connected to VDDIO

### 6.3.2 MCU Serial Interface (4-wire SPI)

The 4-wire SPI consists of serial clock SCL, serial data SDA, D/C# and CS#. The control pins status in 4-wire SPI in writing command/data is shown in Table 6-2 and the write procedure 4-wire SPI is shown in Table 6-2

Table 6-2 : Control pins status of 4-wire SPI

Function	SCL pin	SDA pin	D/C# pin	CS# pin
Write command	↑	Command bit	L	L
Write data	↑	Data bit	H	L

**Note:**

- (1) L is connected to VSS and H is connected to VDDIO
- (2) stands for rising edge of signal
- (3) SDA (Write Mode) is shifted into an 8-bit shift register on every rising edge of SCL in the order of D7, D6, ... D0. The level of D/C# should be kept over the whole byte. The data byte in the shift register is written to the Graphic Display Data RAM (RAM)/Data Byte register or command Byte register according to D/C# pin.

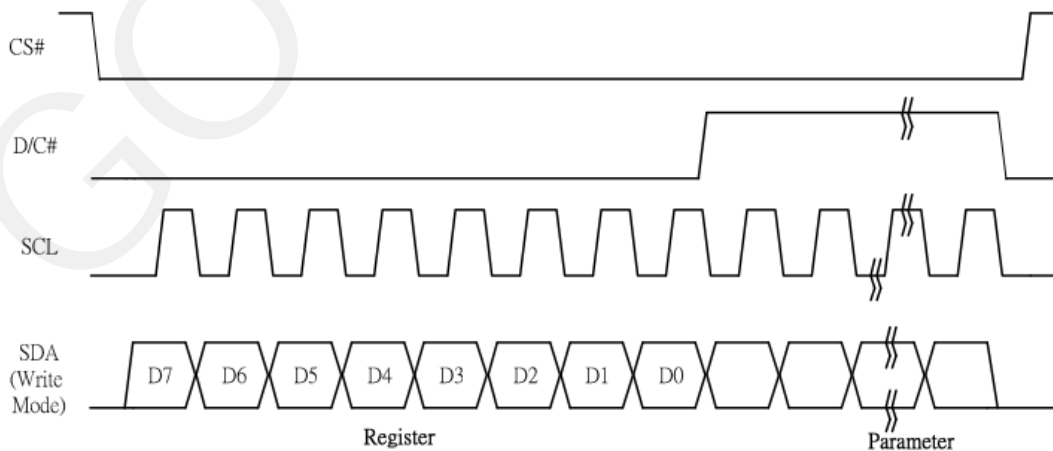


Figure 6-1 : Write procedure in 4-wire SPI mode

### 6.3.3 MCU Serial Peripheral Interface (3-wire SPI)

MCU Serial Peripheral Interface (3-wire SPI) The 3-wire SPI consists of serial clock SCL, serial data SDA and CS#. The operation is similar to 4-wire SPI while D/C# pin is not used and it must be tied to LOW. The control pins status in 3-wire SPI is shown in Table 6-3.

In the write operation, a 9-bit data will be shifted into the shift register on every clock rising edge. The bit shifting sequence is D/C# bit, D7 bit, D6 bit to D0 bit. The first bit is D/C# bit which determines the following byte is command or data. When D/C# bit is 0, the following byte is command. When D/C# bit is 1, the following byte is data. Table 6-3 shows the write procedure in 3-wire SPI

Table 6-3 : Control pins status of 3-wire SPI

Function	SCL pin	SDA pin	D/C# pin	CS# pin
Write command	↑	Command bit	Tie LOW	L
Write data	↑	Data bit	Tie LOW	L

**Note:**

- (1) L is connected to VSS and H is connected to VDDIO
- (2) ↑ stands for rising edge of signal

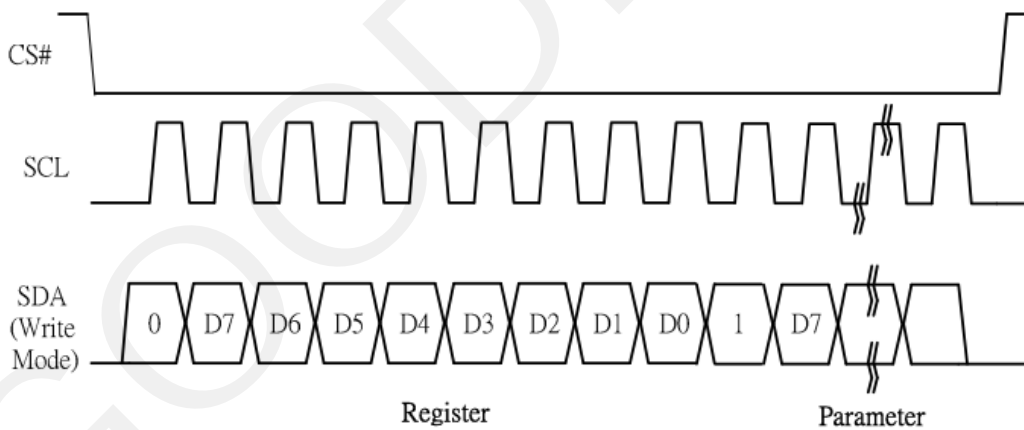
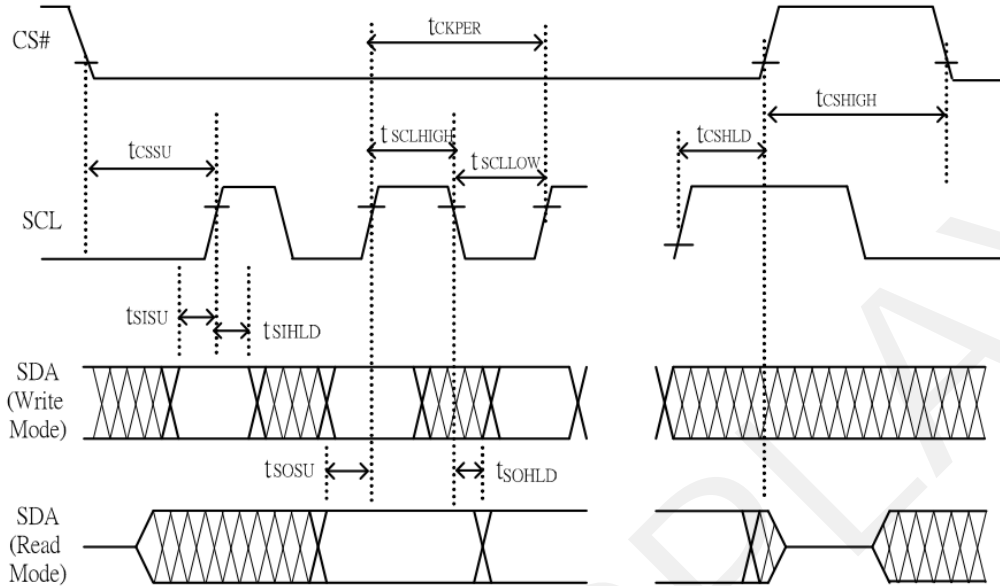


Figure 6-3 : Write procedure in 3-wire SPI

### 6.4.4 Interface Timing

The following specifications apply for: VSS=0V, VCI=3.0V, TOPR =25°C.



**Write mode**

Symbol	Parameter	Min	Typ	Max	Unit
fSCL	SCL frequency (Write Mode)	-	-	20	MHz
tCSSU	Time CS# has to be low before the first rising edge of SCLK	TBD	-	-	ns
tCSHLD	Time CS# has to remain low after the last falling edge of SCLK	TBD	-	-	ns
tCSHIGH	Time CS# has to remain high between two transfers	TBD	-	-	ns
tSCLHIGH	Part of the clock period where SCL has to remain high	TBD	-	-	ns
tSCLLOW	Part of the clock period where SCL has to remain low	TBD	-	-	ns
tSISU	Time SI (SDA Write Mode) has to be stable before the next rising edge of SCL	TBD	-	-	ns
tSIHLD	Time SI (SDA Write Mode) has to remain stable after the rising edge of SCL	TBD	-	-	ns

**Read mode**

Symbol	Parameter	Min	Typ	Max	Unit
fSCL	SCL frequency (Read Mode)	-	-	2.5	MHz
tCSSU	Time CS# has to be low before the first rising edge of SCLK	TBD	-	-	ns
tCSHLD	Time CS# has to remain low after the last falling edge of SCLK	TBD	-	-	ns
tCSHIGH	Time CS# has to remain high between two transfers	TBD	-	-	ns
tSCLHIGH	Part of the clock period where SCL has to remain high	TBD	-	-	ns
tSCLLOW	Part of the clock period where SCL has to remain low	TBD	-	-	ns
tSOSU	Time SO(SDA Read Mode) will be stable before the next rising edge of SCL	TBD	TBD	-	ns
tSOHLD	Time SO (SDA Read Mode) will remain stable after the falling edge of SCL	TBD	TBD	-	ns

Note: All timings are based on 20% to 80% of VDDIO-VSS

## 7. Command Table

Command Table											Command	Description																																																								
R/W#	D/C#	Hex	D7	D6	D5	D4	D3	D2	D1	D0																																																										
0	0	01	0	0	0	0	0	0	0	1	Driver Output control	Gate setting A[8:0]= 12Bh [POR], 300 MUX MUX Gate lines setting as (A[8:0] + 1).  B [2:0] = 000 [POR]. Gate scanning sequence and direction  B[2]: GD Selects the 1st output Gate GD=0 [POR], G0 is the 1st gate output channel, gate output sequence is G0,G1, G2, G3, ... GD=1, G1 is the 1st gate output channel, gate output sequence is G1, G0, G3, G2, ...  B[1]: SM Change scanning order of gate driver. SM=0 [POR], G0, G1, G2, G3...299 (left and right gate interlaced) SM=1, G0, G2, G4 ...G294, G1, G3, ...G299  B[0]: TB TB = 0 [POR], scan from G0 to G299 TB = 1, scan from G299 to G0.																																																								
0	1		A7	A6	A5	A4	A3	A2	A1	A0																																																										
0	1		0	0	0	0	0	0	0	A8																																																										
0	1		0	0	0	0	0	B2	B1	B0																																																										
0	0	03	0	0	0	0	0	0	1	1	Gate Driving voltage Control	Set Gate driving voltage A[4:0] = 00h [POR] VGH setting from 10V to 20V																																																								
0	1		0	0	0	A4	A3	A2	A1	A0																																																										
											<table border="1"> <thead> <tr> <th>A[4:0]</th> <th>VGH</th> <th>A[4:0]</th> <th>VGH</th> </tr> </thead> <tbody> <tr> <td>00h</td> <td>20</td> <td>0Dh</td> <td>15</td> </tr> <tr> <td>03h</td> <td>10</td> <td>0Eh</td> <td>15.5</td> </tr> <tr> <td>04h</td> <td>10.5</td> <td>0Fh</td> <td>16</td> </tr> <tr> <td>05h</td> <td>11</td> <td>10h</td> <td>16.5</td> </tr> <tr> <td>06h</td> <td>11.5</td> <td>11h</td> <td>17</td> </tr> <tr> <td>07h</td> <td>12</td> <td>12h</td> <td>17.5</td> </tr> <tr> <td>08h</td> <td>12.5</td> <td>13h</td> <td>18</td> </tr> <tr> <td>07h</td> <td>12</td> <td>14h</td> <td>18.5</td> </tr> <tr> <td>08h</td> <td>12.5</td> <td>15h</td> <td>19</td> </tr> <tr> <td>09h</td> <td>13</td> <td>16h</td> <td>19.5</td> </tr> <tr> <td>0Ah</td> <td>13.5</td> <td>17h</td> <td>20</td> </tr> <tr> <td>0Bh</td> <td>14</td> <td>Other</td> <td>NA</td> </tr> <tr> <td>0Ch</td> <td>14.5</td> <td></td> <td></td> </tr> </tbody> </table>		A[4:0]	VGH	A[4:0]	VGH	00h	20	0Dh	15	03h	10	0Eh	15.5	04h	10.5	0Fh	16	05h	11	10h	16.5	06h	11.5	11h	17	07h	12	12h	17.5	08h	12.5	13h	18	07h	12	14h	18.5	08h	12.5	15h	19	09h	13	16h	19.5	0Ah	13.5	17h	20	0Bh	14	Other	NA	0Ch	14.5		
A[4:0]	VGH	A[4:0]	VGH																																																																	
00h	20	0Dh	15																																																																	
03h	10	0Eh	15.5																																																																	
04h	10.5	0Fh	16																																																																	
05h	11	10h	16.5																																																																	
06h	11.5	11h	17																																																																	
07h	12	12h	17.5																																																																	
08h	12.5	13h	18																																																																	
07h	12	14h	18.5																																																																	
08h	12.5	15h	19																																																																	
09h	13	16h	19.5																																																																	
0Ah	13.5	17h	20																																																																	
0Bh	14	Other	NA																																																																	
0Ch	14.5																																																																			

Command Table																																																																																																																																																																																																																																																																																																	
R/W#	D/C#	Hex	D7	D6	D5	D4	D3	D2	D1	D0	Command	Description																																																																																																																																																																																																																																																																																					
0	0	04	0	0	0	0	0	1	0	0	Source Driving voltage Control	Set Source driving voltage A[7:0] = 41h [POR], VSH1 at 15V B [7:0] = A8h [POR], VSH2 at 5V. C[7:0] = 32h [POR], VSL at -15V Remark: VSH1>=VSH2																																																																																																																																																																																																																																																																																					
0	1		A7	A6	A5	A4	A3	A2	A1	A0																																																																																																																																																																																																																																																																																							
0	1		B7	B6	B5	B4	B3	B2	B1	B0																																																																																																																																																																																																																																																																																							
0	1		C7	C6	C5	C4	C3	C2	C1	C0																																																																																																																																																																																																																																																																																							
B[7] = 1, VSH2 voltage setting from 2.4V to 8.6V			A[7]/B[7] = 0, VSH1/VSH2 voltage setting from 8.8V to 17V				C[7] = 0, VSL setting from -5V to -17V																																																																																																																																																																																																																																																																																										
<table border="1"> <thead> <tr> <th>A/B[7:0]</th> <th>VSH1/VSH2</th> <th>A/B[7:0]</th> <th>VSH1/VSH2</th> </tr> </thead> <tbody> <tr><td>8Eh</td><td>2.4</td><td>AEh</td><td>5.6</td></tr> <tr><td>8Fh</td><td>2.5</td><td>AFh</td><td>5.7</td></tr> <tr><td>90h</td><td>2.6</td><td>B0h</td><td>5.8</td></tr> <tr><td>91h</td><td>2.7</td><td>B1h</td><td>5.9</td></tr> <tr><td>92h</td><td>2.8</td><td>B2h</td><td>6</td></tr> <tr><td>93h</td><td>2.9</td><td>B3h</td><td>6.1</td></tr> <tr><td>94h</td><td>3</td><td>B4h</td><td>6.2</td></tr> <tr><td>95h</td><td>3.1</td><td>B5h</td><td>6.3</td></tr> <tr><td>96h</td><td>3.2</td><td>B6h</td><td>6.4</td></tr> <tr><td>97h</td><td>3.3</td><td>B7h</td><td>6.5</td></tr> <tr><td>98h</td><td>3.4</td><td>B8h</td><td>6.6</td></tr> <tr><td>99h</td><td>3.5</td><td>B9h</td><td>6.7</td></tr> <tr><td>9Ah</td><td>3.6</td><td>BAh</td><td>6.8</td></tr> <tr><td>9Bh</td><td>3.7</td><td>BBh</td><td>6.9</td></tr> <tr><td>9Ch</td><td>3.8</td><td>BCh</td><td>7</td></tr> <tr><td>9Dh</td><td>3.9</td><td>BDh</td><td>7.1</td></tr> <tr><td>9Eh</td><td>4</td><td>BEh</td><td>7.2</td></tr> <tr><td>9Fh</td><td>4.1</td><td>BFh</td><td>7.3</td></tr> <tr><td>A0h</td><td>4.2</td><td>C0h</td><td>7.4</td></tr> <tr><td>A1h</td><td>4.3</td><td>C1h</td><td>7.5</td></tr> <tr><td>A2h</td><td>4.4</td><td>C2h</td><td>7.6</td></tr> <tr><td>A3h</td><td>4.5</td><td>C3h</td><td>7.7</td></tr> <tr><td>A4h</td><td>4.6</td><td>C4h</td><td>7.8</td></tr> <tr><td>A5h</td><td>4.7</td><td>C5h</td><td>7.9</td></tr> <tr><td>A6h</td><td>4.8</td><td>C6h</td><td>8</td></tr> <tr><td>A7h</td><td>4.9</td><td>C7h</td><td>8.1</td></tr> <tr><td>A8h</td><td>5</td><td>C8h</td><td>8.2</td></tr> <tr><td>A9h</td><td>5.1</td><td>C9h</td><td>8.3</td></tr> <tr><td>AAh</td><td>5.2</td><td>CAh</td><td>8.4</td></tr> <tr><td>ABh</td><td>5.3</td><td>CBh</td><td>8.5</td></tr> <tr><td>ACH</td><td>5.4</td><td>CCh</td><td>8.6</td></tr> <tr><td>ADh</td><td>5.5</td><td>Other</td><td>NA</td></tr> </tbody> </table>			A/B[7:0]	VSH1/VSH2	A/B[7:0]	VSH1/VSH2	8Eh	2.4	AEh	5.6	8Fh	2.5	AFh	5.7	90h	2.6	B0h	5.8	91h	2.7	B1h	5.9	92h	2.8	B2h	6	93h	2.9	B3h	6.1	94h	3	B4h	6.2	95h	3.1	B5h	6.3	96h	3.2	B6h	6.4	97h	3.3	B7h	6.5	98h	3.4	B8h	6.6	99h	3.5	B9h	6.7	9Ah	3.6	BAh	6.8	9Bh	3.7	BBh	6.9	9Ch	3.8	BCh	7	9Dh	3.9	BDh	7.1	9Eh	4	BEh	7.2	9Fh	4.1	BFh	7.3	A0h	4.2	C0h	7.4	A1h	4.3	C1h	7.5	A2h	4.4	C2h	7.6	A3h	4.5	C3h	7.7	A4h	4.6	C4h	7.8	A5h	4.7	C5h	7.9	A6h	4.8	C6h	8	A7h	4.9	C7h	8.1	A8h	5	C8h	8.2	A9h	5.1	C9h	8.3	AAh	5.2	CAh	8.4	ABh	5.3	CBh	8.5	ACH	5.4	CCh	8.6	ADh	5.5	Other	NA	<table border="1"> <thead> <tr> <th>A/B[7:0]</th> <th>VSH1/VSH2</th> <th>A/B[7:0]</th> <th>VSH1/VSH2</th> </tr> </thead> <tbody> <tr><td>21h</td><td>8.8</td><td>37h</td><td>13</td></tr> <tr><td>23h</td><td>9</td><td>38h</td><td>13.2</td></tr> <tr><td>24h</td><td>9.2</td><td>39h</td><td>13.4</td></tr> <tr><td>25h</td><td>9.4</td><td>3Ah</td><td>13.6</td></tr> <tr><td>26h</td><td>9.6</td><td>3Bh</td><td>13.8</td></tr> <tr><td>27h</td><td>9.8</td><td>3Ch</td><td>14</td></tr> <tr><td>28h</td><td>10</td><td>3Dh</td><td>14.2</td></tr> <tr><td>29h</td><td>10.2</td><td>3Eh</td><td>14.4</td></tr> <tr><td>2Ah</td><td>10.4</td><td>3Fh</td><td>14.6</td></tr> <tr><td>2Bh</td><td>10.6</td><td>40h</td><td>14.8</td></tr> <tr><td>2Ch</td><td>10.8</td><td>41h</td><td>15</td></tr> <tr><td>2Dh</td><td>11</td><td>42h</td><td>15.2</td></tr> <tr><td>2Eh</td><td>11.2</td><td>43h</td><td>15.4</td></tr> <tr><td>2Fh</td><td>11.4</td><td>44h</td><td>15.6</td></tr> <tr><td>30h</td><td>11.6</td><td>45h</td><td>15.8</td></tr> <tr><td>31h</td><td>11.8</td><td>46h</td><td>16</td></tr> <tr><td>32h</td><td>12</td><td>47h</td><td>16.2</td></tr> <tr><td>33h</td><td>12.2</td><td>48h</td><td>16.4</td></tr> <tr><td>34h</td><td>12.4</td><td>49h</td><td>16.6</td></tr> <tr><td>35h</td><td>12.6</td><td>4Ah</td><td>16.8</td></tr> <tr><td>36h</td><td>12.8</td><td>4Bh</td><td>17</td></tr> <tr><td></td><td></td><td>Other</td><td>NA</td></tr> </tbody> </table>				A/B[7:0]	VSH1/VSH2	A/B[7:0]	VSH1/VSH2	21h	8.8	37h	13	23h	9	38h	13.2	24h	9.2	39h	13.4	25h	9.4	3Ah	13.6	26h	9.6	3Bh	13.8	27h	9.8	3Ch	14	28h	10	3Dh	14.2	29h	10.2	3Eh	14.4	2Ah	10.4	3Fh	14.6	2Bh	10.6	40h	14.8	2Ch	10.8	41h	15	2Dh	11	42h	15.2	2Eh	11.2	43h	15.4	2Fh	11.4	44h	15.6	30h	11.6	45h	15.8	31h	11.8	46h	16	32h	12	47h	16.2	33h	12.2	48h	16.4	34h	12.4	49h	16.6	35h	12.6	4Ah	16.8	36h	12.8	4Bh	17			Other	NA	<table border="1"> <thead> <tr> <th>C[7:0]</th> <th>VSL</th> </tr> </thead> <tbody> <tr><td>0Ah</td><td>-5</td></tr> <tr><td>0Ch</td><td>-5.5</td></tr> <tr><td>0Eh</td><td>-6</td></tr> <tr><td>10h</td><td>-6.5</td></tr> <tr><td>12h</td><td>-7</td></tr> <tr><td>14h</td><td>-7.5</td></tr> <tr><td>16h</td><td>-8</td></tr> <tr><td>18h</td><td>-8.5</td></tr> <tr><td>1Ah</td><td>-9</td></tr> <tr><td>1Ch</td><td>-9.5</td></tr> <tr><td>1Eh</td><td>-10</td></tr> <tr><td>20h</td><td>-10.5</td></tr> <tr><td>22h</td><td>-11</td></tr> <tr><td>24h</td><td>-11.5</td></tr> <tr><td>26h</td><td>-12</td></tr> <tr><td>28h</td><td>-12.5</td></tr> <tr><td>2Ah</td><td>-13</td></tr> <tr><td>2Ch</td><td>-13.5</td></tr> <tr><td>2Eh</td><td>-14</td></tr> <tr><td>30h</td><td>-14.5</td></tr> <tr><td>32h</td><td>-15</td></tr> <tr><td>34h</td><td>-15.5</td></tr> <tr><td>36h</td><td>-16</td></tr> <tr><td>38h</td><td>-16.5</td></tr> <tr><td>3Ah</td><td>-17</td></tr> <tr><td>Other</td><td>NA</td></tr> </tbody> </table>					C[7:0]	VSL	0Ah	-5	0Ch	-5.5	0Eh	-6	10h	-6.5	12h	-7	14h	-7.5	16h	-8	18h	-8.5	1Ah	-9	1Ch	-9.5	1Eh	-10	20h	-10.5	22h	-11	24h	-11.5	26h	-12	28h	-12.5	2Ah	-13	2Ch	-13.5	2Eh	-14	30h	-14.5	32h	-15	34h	-15.5	36h	-16	38h	-16.5	3Ah	-17	Other	NA
A/B[7:0]	VSH1/VSH2	A/B[7:0]	VSH1/VSH2																																																																																																																																																																																																																																																																																														
8Eh	2.4	AEh	5.6																																																																																																																																																																																																																																																																																														
8Fh	2.5	AFh	5.7																																																																																																																																																																																																																																																																																														
90h	2.6	B0h	5.8																																																																																																																																																																																																																																																																																														
91h	2.7	B1h	5.9																																																																																																																																																																																																																																																																																														
92h	2.8	B2h	6																																																																																																																																																																																																																																																																																														
93h	2.9	B3h	6.1																																																																																																																																																																																																																																																																																														
94h	3	B4h	6.2																																																																																																																																																																																																																																																																																														
95h	3.1	B5h	6.3																																																																																																																																																																																																																																																																																														
96h	3.2	B6h	6.4																																																																																																																																																																																																																																																																																														
97h	3.3	B7h	6.5																																																																																																																																																																																																																																																																																														
98h	3.4	B8h	6.6																																																																																																																																																																																																																																																																																														
99h	3.5	B9h	6.7																																																																																																																																																																																																																																																																																														
9Ah	3.6	BAh	6.8																																																																																																																																																																																																																																																																																														
9Bh	3.7	BBh	6.9																																																																																																																																																																																																																																																																																														
9Ch	3.8	BCh	7																																																																																																																																																																																																																																																																																														
9Dh	3.9	BDh	7.1																																																																																																																																																																																																																																																																																														
9Eh	4	BEh	7.2																																																																																																																																																																																																																																																																																														
9Fh	4.1	BFh	7.3																																																																																																																																																																																																																																																																																														
A0h	4.2	C0h	7.4																																																																																																																																																																																																																																																																																														
A1h	4.3	C1h	7.5																																																																																																																																																																																																																																																																																														
A2h	4.4	C2h	7.6																																																																																																																																																																																																																																																																																														
A3h	4.5	C3h	7.7																																																																																																																																																																																																																																																																																														
A4h	4.6	C4h	7.8																																																																																																																																																																																																																																																																																														
A5h	4.7	C5h	7.9																																																																																																																																																																																																																																																																																														
A6h	4.8	C6h	8																																																																																																																																																																																																																																																																																														
A7h	4.9	C7h	8.1																																																																																																																																																																																																																																																																																														
A8h	5	C8h	8.2																																																																																																																																																																																																																																																																																														
A9h	5.1	C9h	8.3																																																																																																																																																																																																																																																																																														
AAh	5.2	CAh	8.4																																																																																																																																																																																																																																																																																														
ABh	5.3	CBh	8.5																																																																																																																																																																																																																																																																																														
ACH	5.4	CCh	8.6																																																																																																																																																																																																																																																																																														
ADh	5.5	Other	NA																																																																																																																																																																																																																																																																																														
A/B[7:0]	VSH1/VSH2	A/B[7:0]	VSH1/VSH2																																																																																																																																																																																																																																																																																														
21h	8.8	37h	13																																																																																																																																																																																																																																																																																														
23h	9	38h	13.2																																																																																																																																																																																																																																																																																														
24h	9.2	39h	13.4																																																																																																																																																																																																																																																																																														
25h	9.4	3Ah	13.6																																																																																																																																																																																																																																																																																														
26h	9.6	3Bh	13.8																																																																																																																																																																																																																																																																																														
27h	9.8	3Ch	14																																																																																																																																																																																																																																																																																														
28h	10	3Dh	14.2																																																																																																																																																																																																																																																																																														
29h	10.2	3Eh	14.4																																																																																																																																																																																																																																																																																														
2Ah	10.4	3Fh	14.6																																																																																																																																																																																																																																																																																														
2Bh	10.6	40h	14.8																																																																																																																																																																																																																																																																																														
2Ch	10.8	41h	15																																																																																																																																																																																																																																																																																														
2Dh	11	42h	15.2																																																																																																																																																																																																																																																																																														
2Eh	11.2	43h	15.4																																																																																																																																																																																																																																																																																														
2Fh	11.4	44h	15.6																																																																																																																																																																																																																																																																																														
30h	11.6	45h	15.8																																																																																																																																																																																																																																																																																														
31h	11.8	46h	16																																																																																																																																																																																																																																																																																														
32h	12	47h	16.2																																																																																																																																																																																																																																																																																														
33h	12.2	48h	16.4																																																																																																																																																																																																																																																																																														
34h	12.4	49h	16.6																																																																																																																																																																																																																																																																																														
35h	12.6	4Ah	16.8																																																																																																																																																																																																																																																																																														
36h	12.8	4Bh	17																																																																																																																																																																																																																																																																																														
		Other	NA																																																																																																																																																																																																																																																																																														
C[7:0]	VSL																																																																																																																																																																																																																																																																																																
0Ah	-5																																																																																																																																																																																																																																																																																																
0Ch	-5.5																																																																																																																																																																																																																																																																																																
0Eh	-6																																																																																																																																																																																																																																																																																																
10h	-6.5																																																																																																																																																																																																																																																																																																
12h	-7																																																																																																																																																																																																																																																																																																
14h	-7.5																																																																																																																																																																																																																																																																																																
16h	-8																																																																																																																																																																																																																																																																																																
18h	-8.5																																																																																																																																																																																																																																																																																																
1Ah	-9																																																																																																																																																																																																																																																																																																
1Ch	-9.5																																																																																																																																																																																																																																																																																																
1Eh	-10																																																																																																																																																																																																																																																																																																
20h	-10.5																																																																																																																																																																																																																																																																																																
22h	-11																																																																																																																																																																																																																																																																																																
24h	-11.5																																																																																																																																																																																																																																																																																																
26h	-12																																																																																																																																																																																																																																																																																																
28h	-12.5																																																																																																																																																																																																																																																																																																
2Ah	-13																																																																																																																																																																																																																																																																																																
2Ch	-13.5																																																																																																																																																																																																																																																																																																
2Eh	-14																																																																																																																																																																																																																																																																																																
30h	-14.5																																																																																																																																																																																																																																																																																																
32h	-15																																																																																																																																																																																																																																																																																																
34h	-15.5																																																																																																																																																																																																																																																																																																
36h	-16																																																																																																																																																																																																																																																																																																
38h	-16.5																																																																																																																																																																																																																																																																																																
3Ah	-17																																																																																																																																																																																																																																																																																																
Other	NA																																																																																																																																																																																																																																																																																																
0	0	08	0	0	0	0	1	0	0	0	Initial Code Setting OTP Program	Program Initial Code Setting  The command required CLKEN=1. Refer to Register 0x22 for detail. BUSY pad will output high during operation.																																																																																																																																																																																																																																																																																					
0	0	09	0	0	0	0	1	0	0	1	Write Register for Initial Code Setting	Write Register for Initial Code Setting Selection A[7:0] ~ D[7:0]: Reserved Details refer to Application Notes of Initial Code Setting																																																																																																																																																																																																																																																																																					
0	1		A7	A6	A5	A4	A3	A2	A1	A0																																																																																																																																																																																																																																																																																							
0	1		B7	B6	B5	B4	B3	B2	B1	B0																																																																																																																																																																																																																																																																																							
0	1		C7	C6	C5	C4	C3	C2	C1	C0																																																																																																																																																																																																																																																																																							
0	1		D7	D6	D5	D4	D3	D2	D1	D0																																																																																																																																																																																																																																																																																							
0	0	0A	0	0	0	0	1	0	1	0	Read Register for Initial Code Setting	Read Register for Initial Code Setting																																																																																																																																																																																																																																																																																					

Command Table																																																										
R/W#	D/C#	Hex	D7	D6	D5	D4	D3	D2	D1	D0	Command	Description																																														
0	0	0C	0	0	0	0	1	1	0	0	Booster Soft start Control	Booster Enable with Phase 1, Phase 2 and Phase 3 for soft start current and duration setting.  A[7:0] -> Soft start setting for Phase1 = 8Bh [POR] B[7:0] -> Soft start setting for Phase2 = 9Ch [POR] C[7:0] -> Soft start setting for Phase3 = 96h [POR] D[7:0] -> Duration setting = 0Fh [POR]  Bit Description of each byte: A[6:0] / B[6:0] / C[6:0]:																																														
0	1		1	A <sub>6</sub>	A <sub>5</sub>	A <sub>4</sub>	A <sub>3</sub>	A <sub>2</sub>	A <sub>1</sub>	A <sub>0</sub>																																																
0	1		1	B <sub>6</sub>	B <sub>5</sub>	B <sub>4</sub>	B <sub>3</sub>	B <sub>2</sub>	B <sub>1</sub>	B <sub>0</sub>																																																
0	1		1	C <sub>6</sub>	C <sub>5</sub>	C <sub>4</sub>	C <sub>3</sub>	C <sub>2</sub>	C <sub>1</sub>	C <sub>0</sub>																																																
0	1		0	0	D <sub>5</sub>	D <sub>4</sub>	D <sub>3</sub>	D <sub>2</sub>	D <sub>1</sub>	D <sub>0</sub>																																																
<table border="1"> <thead> <tr> <th>Bit[6:4]</th> <th>Driving Strength Selection</th> </tr> </thead> <tbody> <tr><td>000</td><td>1(Weakest)</td></tr> <tr><td>001</td><td>2</td></tr> <tr><td>010</td><td>3</td></tr> <tr><td>011</td><td>4</td></tr> <tr><td>100</td><td>5</td></tr> <tr><td>101</td><td>6</td></tr> <tr><td>110</td><td>7</td></tr> <tr><td>111</td><td>8(Strongest)</td></tr> </tbody> </table> <table border="1"> <thead> <tr> <th>Bit[3:0]</th> <th>Min Off Time Setting of GDR [ Time unit ]</th> </tr> </thead> <tbody> <tr><td>0000</td><td rowspan="2">NA</td></tr> <tr><td>~ 0011</td></tr> <tr><td>0100</td><td>2.6</td></tr> <tr><td>0101</td><td>3.2</td></tr> <tr><td>0110</td><td>3.9</td></tr> <tr><td>0111</td><td>4.6</td></tr> <tr><td>1000</td><td>5.4</td></tr> <tr><td>1001</td><td>6.3</td></tr> <tr><td>1010</td><td>7.3</td></tr> <tr><td>1011</td><td>8.4</td></tr> <tr><td>1100</td><td>9.8</td></tr> <tr><td>1101</td><td>11.5</td></tr> <tr><td>1110</td><td>13.8</td></tr> <tr><td>1111</td><td>16.5</td></tr> </tbody> </table> D[5:0]: duration setting of phase D[5:4]: duration setting of phase 3 D[3:2]: duration setting of phase 2 D[1:0]: duration setting of phase 1												Bit[6:4]	Driving Strength Selection	000	1(Weakest)	001	2	010	3	011	4	100	5	101	6	110	7	111	8(Strongest)	Bit[3:0]	Min Off Time Setting of GDR [ Time unit ]	0000	NA	~ 0011	0100	2.6	0101	3.2	0110	3.9	0111	4.6	1000	5.4	1001	6.3	1010	7.3	1011	8.4	1100	9.8	1101	11.5	1110	13.8	1111	16.5
Bit[6:4]	Driving Strength Selection																																																									
000	1(Weakest)																																																									
001	2																																																									
010	3																																																									
011	4																																																									
100	5																																																									
101	6																																																									
110	7																																																									
111	8(Strongest)																																																									
Bit[3:0]	Min Off Time Setting of GDR [ Time unit ]																																																									
0000	NA																																																									
~ 0011																																																										
0100	2.6																																																									
0101	3.2																																																									
0110	3.9																																																									
0111	4.6																																																									
1000	5.4																																																									
1001	6.3																																																									
1010	7.3																																																									
1011	8.4																																																									
1100	9.8																																																									
1101	11.5																																																									
1110	13.8																																																									
1111	16.5																																																									
<table border="1"> <thead> <tr> <th>Bit[1:0]</th> <th>Duration of Phase [Approximation]</th> </tr> </thead> <tbody> <tr><td>00</td><td>10ms</td></tr> <tr><td>01</td><td>20ms</td></tr> <tr><td>10</td><td>30ms</td></tr> <tr><td>11</td><td>40ms</td></tr> </tbody> </table>												Bit[1:0]	Duration of Phase [Approximation]	00	10ms	01	20ms	10	30ms	11	40ms																																					
Bit[1:0]	Duration of Phase [Approximation]																																																									
00	10ms																																																									
01	20ms																																																									
10	30ms																																																									
11	40ms																																																									



Command Table																				
R/W#	D/C#	Hex	D7	D6	D5	D4	D3	D2	D1	D0	Command	Description								
0	0	10	0	0	0	1	0	0	0	0	Deep Sleep mode	Deep Sleep mode Control: <table border="1"> <tr> <th>A[1:0]</th> <th>Description</th> </tr> <tr> <td>00</td> <td>Normal Mode [POR]</td> </tr> <tr> <td>01</td> <td>Enter Deep Sleep Mode 1</td> </tr> <tr> <td>11</td> <td>Enter Deep Sleep Mode 2</td> </tr> </table> After this command initiated, the chip will enter Deep Sleep Mode, BUSY pad will keep output high. Remark: To Exit Deep Sleep mode, User required to send HWRESET to the driver	A[1:0]	Description	00	Normal Mode [POR]	01	Enter Deep Sleep Mode 1	11	Enter Deep Sleep Mode 2
A[1:0]	Description																			
00	Normal Mode [POR]																			
01	Enter Deep Sleep Mode 1																			
11	Enter Deep Sleep Mode 2																			
0	1		0	0	0	0	0	0	A <sub>1</sub>	A <sub>0</sub>										
0	0	11	0	0	0	1	0	0	0	1	Data Entry mode setting	Define data entry sequence A[2:0] = 011 [POR]  A [1:0] = ID[1:0] Address automatic increment / decrement setting The setting of incrementing or decrementing of the address counter can be made independently in each upper and lower bit of the address. 00 –Y decrement, X decrement, 01 –Y decrement, X increment, 10 –Y increment, X decrement, 11 –Y increment, X increment [POR]  A[2] = AM Set the direction in which the address counter is updated automatically after data are written to the RAM. AM= 0, the address counter is updated in the X direction. [POR] AM = 1, the address counter is updated in the Y direction.								
0	1		0	0	0	0	0	A <sub>2</sub>	A <sub>1</sub>	A <sub>0</sub>										
0	0	12	0	0	0	1	0	0	1	0	SW RESET	It resets the commands and parameters to their S/W Reset default values except R10h-Deep Sleep Mode  During operation, BUSY pad will output high.  Note: RAM are unaffected by this command.								

Command Table																										
R/W#	D/C#	Hex	D7	D6	D5	D4	D3	D2	D1	D0	Command	Description														
0	0	14	0	0	0	1	0	1	0	0	HV Ready Detection	HV ready detection A[7:0] = 00h [POR] The command required CLKEN=1 and ANALOGEN=1. Refer to Register 0x22 for detail. After this command initiated, HV Ready detection starts. BUSY pad will output high during detection. The detection result can be read from the Status Bit Read (Command 0x2F).														
0	1		0	A <sub>6</sub>	A <sub>5</sub>	A <sub>4</sub>	0	A <sub>2</sub>	A <sub>1</sub>	A <sub>0</sub>			A[6:4]=n for cool down duration: 10ms x (n+1) A[2:0]=m for number of Cool Down Loop to detect. The max HV ready duration is 10ms x (n+1) x (m) HV ready detection will be trigger after each cool down time. The detection will be completed when HV is ready. For 1 shot HV ready detection, A[7:0] can be set as 00h.													
0	0	15	0	0	0	1	0	1	0	1	VCI Detection	VCI Detection A[2:0] = 100 [POR] , Detect level at 2.3V A[2:0] : VCI level Detect <table border="1" style="margin-left: 20px;"> <thead> <tr> <th>A[2:0]</th> <th>VCI level</th> </tr> </thead> <tbody> <tr> <td>011</td> <td>2.2V</td> </tr> <tr> <td>100</td> <td>2.3V</td> </tr> <tr> <td>101</td> <td>2.4V</td> </tr> <tr> <td>110</td> <td>2.5V</td> </tr> <tr> <td>111</td> <td>2.6V</td> </tr> <tr> <td>Other</td> <td>NA</td> </tr> </tbody> </table>	A[2:0]	VCI level	011	2.2V	100	2.3V	101	2.4V	110	2.5V	111	2.6V	Other	NA
A[2:0]	VCI level																									
011	2.2V																									
100	2.3V																									
101	2.4V																									
110	2.5V																									
111	2.6V																									
Other	NA																									
0	1		0	0	0	0	0	A <sub>2</sub>	A <sub>1</sub>	A <sub>0</sub>	The command required CLKEN=1 and ANALOGEN=1 Refer to Register 0x22 for detail.  After this command initiated, VCI detection starts. BUSY pad will output high during detection. The detection result can be read from the Status Bit Read (Command 0x2F).															
0	0	18	0	0	0	1	1	0	0	0	Temperature Sensor Control	Temperature Sensor Selection A[7:0] = 48h [POR], external temperature sensor A[7:0] = 80h Internal temperature sensor														
0	1		A <sub>7</sub>	A <sub>6</sub>	A <sub>5</sub>	A <sub>4</sub>	A <sub>3</sub>	A <sub>2</sub>	A <sub>1</sub>	A <sub>0</sub>																
0	0	1A	0	0	0	1	1	0	1	0	Temperature Sensor Control (Write to temperature register)	Write to temperature register. A[7:0] = 7Fh [POR]														
0	1		A <sub>7</sub>	A <sub>6</sub>	A <sub>5</sub>	A <sub>4</sub>	A <sub>3</sub>	A <sub>2</sub>	A <sub>1</sub>	A <sub>0</sub>																
0	0	1B	0	0	0	1	1	0	1	1	Temperature Sensor Control (Read from temperature register)	Read from temperature register.														
1	1		A <sub>7</sub>	A <sub>6</sub>	A <sub>5</sub>	A <sub>4</sub>	A <sub>3</sub>	A <sub>2</sub>	A <sub>1</sub>	A <sub>0</sub>																

Command Table																								
R/W#	D/C#	Hex	D7	D6	D5	D4	D3	D2	D1	D0	Command	Description												
0	0	1C	0	0	0	1	1	1	0	0	Temperature Sensor Control (Write Command to External temperature sensor)	Write Command to External temperature sensor. A[7:0] = 00h [POR], B[7:0] = 00h [POR], C[7:0] = 00h [POR],  A[7:6] <table border="1"> <tr> <td>A[7:6]</td> <td>Select no of byte to be sent</td> </tr> <tr> <td>00</td> <td>Address + pointer</td> </tr> <tr> <td>01</td> <td>Address + pointer + 1st parameter</td> </tr> <tr> <td>10</td> <td>Address + pointer + 1st parameter + 2nd pointer</td> </tr> <tr> <td>11</td> <td>Address</td> </tr> </table> A[5:0] – Pointer Setting B[7:0] – 1 <sup>st</sup> parameter C[7:0] – 2 <sup>nd</sup> parameter The command required CLKEN=1. Refer to Register 0x22 for detail.  After this command initiated, Write Command to external temperature sensor starts. BUSY pad will output high during operation.	A[7:6]	Select no of byte to be sent	00	Address + pointer	01	Address + pointer + 1st parameter	10	Address + pointer + 1st parameter + 2nd pointer	11	Address		
A[7:6]	Select no of byte to be sent																							
00	Address + pointer																							
01	Address + pointer + 1st parameter																							
10	Address + pointer + 1st parameter + 2nd pointer																							
11	Address																							
0	1		A <sub>7</sub>	A <sub>6</sub>	A <sub>5</sub>	A <sub>4</sub>	A <sub>3</sub>	A <sub>2</sub>	A <sub>1</sub>	A <sub>0</sub>														
0	1		B <sub>7</sub>	B <sub>6</sub>	B <sub>5</sub>	B <sub>4</sub>	B <sub>3</sub>	B <sub>2</sub>	B <sub>1</sub>	B <sub>0</sub>														
0	1		C <sub>7</sub>	C <sub>6</sub>	C <sub>5</sub>	C <sub>4</sub>	C <sub>3</sub>	C <sub>2</sub>	C <sub>1</sub>	C <sub>0</sub>														
0	0	20	0	0	1	0	0	0	0	0	Master Activation	Activate Display Update Sequence  The Display Update Sequence Option is located at R22h.  BUSY pad will output high during operation. User should not interrupt this operation to avoid corruption of panel images.												
0	0	21	0	0	1	0	0	0	0	1	Display Update Control	RAM content option for Display Update A[7:0] = 00h [POR] B[7:0] = 00h [POR]  A[7:4] Red RAM option <table border="1"> <tr> <td>0000</td> <td>Normal</td> </tr> <tr> <td>0100</td> <td>Bypass RAM content as 0</td> </tr> <tr> <td>1000</td> <td>Inverse RAM content</td> </tr> </table> A[3:0] BW RAM option <table border="1"> <tr> <td>0000</td> <td>Normal</td> </tr> <tr> <td>0100</td> <td>Bypass RAM content as 0</td> </tr> <tr> <td>1000</td> <td>Inverse RAM content</td> </tr> </table>	0000	Normal	0100	Bypass RAM content as 0	1000	Inverse RAM content	0000	Normal	0100	Bypass RAM content as 0	1000	Inverse RAM content
0000	Normal																							
0100	Bypass RAM content as 0																							
1000	Inverse RAM content																							
0000	Normal																							
0100	Bypass RAM content as 0																							
1000	Inverse RAM content																							
0	1		A <sub>7</sub>	A <sub>6</sub>	A <sub>5</sub>	A <sub>4</sub>	A <sub>3</sub>	A <sub>2</sub>	A <sub>1</sub>	A <sub>0</sub>														
0	1		B <sub>7</sub>	0	0	0	0	0	0	0														

Command Table																																					
R/W#	D/C#	Hex	D7	D6	D5	D4	D3	D2	D1	D0	Command	Description																									
0	0	22	0	0	1	0	0	0	1	0	Display Update Control 2	Display Update Sequence Option: Enable the stage for Master Activation A[7:0]= FFh (POR)																									
0	1		A7	A6	A5	A4	A3	A2	A1	A0			<table border="1"> <thead> <tr> <th>Operating sequence</th> <th>Parameter (In Hex)</th> </tr> </thead> <tbody> <tr> <td>Enable clock signal</td> <td>80</td> </tr> <tr> <td>Disable clock signal</td> <td>01</td> </tr> <tr> <td>Enable clock signal → Enable Analog</td> <td>C0</td> </tr> <tr> <td>Disable Analog → Disable clock signal</td> <td>03</td> </tr> <tr> <td>Enable clock signal → Load LUT with DISPLAY Mode 1 → Disable clock signal</td> <td>91</td> </tr> <tr> <td>Enable clock signal → Load LUT with DISPLAY Mode 2 → Disable clock signal</td> <td>99</td> </tr> <tr> <td>Enable clock signal → Load temperature value → Load LUT with DISPLAY Mode 1 → Disable clock signal</td> <td>B1</td> </tr> <tr> <td>Enable clock signal → Load temperature value → Load LUT with DISPLAY Mode 2 → Disable clock signal</td> <td>B9</td> </tr> <tr> <td>Enable clock signal → Enable Analog → Display with DISPLAY Mode 1 → Disable Analog → Disable OSC</td> <td>C7</td> </tr> <tr> <td>Enable clock signal → Enable Analog → Display with DISPLAY Mode 2 → Disable Analog → Disable OSC</td> <td>CF</td> </tr> <tr> <td>Enable clock signal → Enable Analog → Load temperature value → DISPLAY with DISPLAY Mode 1 → Disable Analog → Disable OSC</td> <td>F7</td> </tr> <tr> <td>Enable clock signal → Enable Analog → Load temperature value → DISPLAY with DISPLAY Mode 2 → Disable Analog → Disable OSC</td> <td>FF</td> </tr> </tbody> </table>	Operating sequence	Parameter (In Hex)	Enable clock signal	80	Disable clock signal	01	Enable clock signal → Enable Analog	C0	Disable Analog → Disable clock signal	03	Enable clock signal → Load LUT with DISPLAY Mode 1 → Disable clock signal	91	Enable clock signal → Load LUT with DISPLAY Mode 2 → Disable clock signal	99	Enable clock signal → Load temperature value → Load LUT with DISPLAY Mode 1 → Disable clock signal	B1	Enable clock signal → Load temperature value → Load LUT with DISPLAY Mode 2 → Disable clock signal	B9	Enable clock signal → Enable Analog → Display with DISPLAY Mode 1 → Disable Analog → Disable OSC	C7	Enable clock signal → Enable Analog → Display with DISPLAY Mode 2 → Disable Analog → Disable OSC	CF	Enable clock signal → Enable Analog → Load temperature value → DISPLAY with DISPLAY Mode 1 → Disable Analog → Disable OSC	F7
Operating sequence	Parameter (In Hex)																																				
Enable clock signal	80																																				
Disable clock signal	01																																				
Enable clock signal → Enable Analog	C0																																				
Disable Analog → Disable clock signal	03																																				
Enable clock signal → Load LUT with DISPLAY Mode 1 → Disable clock signal	91																																				
Enable clock signal → Load LUT with DISPLAY Mode 2 → Disable clock signal	99																																				
Enable clock signal → Load temperature value → Load LUT with DISPLAY Mode 1 → Disable clock signal	B1																																				
Enable clock signal → Load temperature value → Load LUT with DISPLAY Mode 2 → Disable clock signal	B9																																				
Enable clock signal → Enable Analog → Display with DISPLAY Mode 1 → Disable Analog → Disable OSC	C7																																				
Enable clock signal → Enable Analog → Display with DISPLAY Mode 2 → Disable Analog → Disable OSC	CF																																				
Enable clock signal → Enable Analog → Load temperature value → DISPLAY with DISPLAY Mode 1 → Disable Analog → Disable OSC	F7																																				
Enable clock signal → Enable Analog → Load temperature value → DISPLAY with DISPLAY Mode 2 → Disable Analog → Disable OSC	FF																																				
0	0	24	0	0	1	0	0	1	0	0	Write RAM (Black White) / RAM 0x24	After this command, data entries will be written into the BW RAM until another command is written. Address pointers will advance accordingly  For Write pixel: Content of Write RAM(BW) = 1 For Black pixel: Content of Write RAM(BW) = 0																									

Command Table												
R/W#	D/C#	Hex	D7	D6	D5	D4	D3	D2	D1	D0	Command	Description
0	0	26	0	0	1	0	0	1	1	0	Write RAM (RED) / RAM 0x26	After this command, data entries will be written into the RED RAM until another command is written. Address pointers will advance accordingly.  For Red pixel: Content of Write RAM(RED) = 1 For non-Red pixel [Black or White]: Content of Write RAM(RED) = 0
0	0	27	0	0	1	0	0	1	1	1	Read RAM	After this command, data read on the MCU bus will fetch data from RAM. According to parameter of Register 41h to select reading RAM0x24/ RAM0x26, until another command is written. Address pointers will advance accordingly.  The 1 <sup>st</sup> byte of data read is dummy data.
0	0	28	0	0	1	0	1	0	0	0	VCOM Sense	Enter VCOM sensing conditions and hold for duration defined in 29h before reading VCOM value. The sensed VCOM voltage is stored in register The command required CLKEN=1 and ANALOGEN=1 Refer to Register 0x22 for detail.  BUSY pad will output high during operation.
0	0	29	0	0	1	0	1	0	0	1	VCOM Sense Duration	Stabling time between entering VCOM sensing mode and reading acquired.  A[3:0] = 9h, duration = 10s. VCOM sense duration = (A[3:0]+1) sec
0	1		0	1	0		A <sub>3</sub>	A <sub>2</sub>	A <sub>1</sub>	A <sub>0</sub>		
0	0	2A	0	0	1	0	1	0	1	0	Program VCOM OTP	Program VCOM register into OTP  The command required CLKEN=1. Refer to Register 0x22 for detail.  BUSY pad will output high during operation.



Command Table												
R/W#	D/C#	Hex	D7	D6	D5	D4	D3	D2	D1	D0	Command	Description
0	0	2F	0	0	1	0	1	1	1	1	Status Bit Read	Read IC status Bit [POR 0x01] A[5]: HV Ready Detection flag [POR=0] 0: Ready 1: Not Ready A[4]: VCI Detection flag [POR=0] 0: Normal 1: VCI lower than the Detect level A[3]: [POR=0] A[2]: Busy flag [POR=0] 0: Normal 1: BUSY A[1:0]: Chip ID [POR=01]  Remark: A[5] and A[4] status are not valid after RESET, they need to be initiated by command 0x14 and command 0x15 respectively.
1	1		0	0	A <sub>5</sub>	A <sub>4</sub>	0	0	A <sub>1</sub>	A <sub>0</sub>		
0	0	30	0	0	1	1	0	0	0	0	Program WS OTP	Program OTP of Waveform Setting The contents should be written into RAM before sending this command.  The command required CLKEN=1. Refer to Register 0x22 for detail. BUSY pad will output high during operation.
0	0	31	0	0	1	1	0	0	0	1	Load WS OTP	Load OTP of Waveform Setting  The command required CLKEN=1. Refer to Register 0x22 for detail.  BUSY pad will output high during operation.
0	0	32	0	0	1	1	0	0	1	0	Write LUT register	Write LUT register from MCU interface [227 bytes], which contains the content of VS[nX-LUTm], TP[nX], RP[n], SR[nXY], FR and XON[nXY] Refer to Session 6.7 WAVEFORM SETTING
0	1		A <sub>7</sub>	A <sub>6</sub>	A <sub>5</sub>	A <sub>4</sub>	A <sub>3</sub>	A <sub>2</sub>	A <sub>1</sub>	A <sub>0</sub>		
0	1		B <sub>7</sub>	B <sub>6</sub>	B <sub>5</sub>	B <sub>4</sub>	B <sub>3</sub>	B <sub>2</sub>	B <sub>1</sub>	B <sub>0</sub>		
0	1		:	:	:	:	:	:	:	:		
0	1		.	..	.	.	.	.	.	.		
0	0	34	0	0	1	1	0	1	0	0	CRC calculation	CRC calculation command For details, please refer to SSD1683 application note.  BUSY pad will output high during operation.
0	0	35	0	0	1	1	0	1	0	1	CRC Status Read	CRC Status Read A[15:0] is the CRC read out value
1	1		A <sub>15</sub>	A <sub>14</sub>	A <sub>13</sub>	A <sub>12</sub>	A <sub>11</sub>	A <sub>10</sub>	A <sub>9</sub>	A <sub>8</sub>		
1	1		A <sub>7</sub>	A <sub>6</sub>	A <sub>5</sub>	A <sub>4</sub>	A <sub>3</sub>	A <sub>2</sub>	A <sub>1</sub>	A <sub>0</sub>		

Command Table												
R/W#	D/C#	Hex	D7	D6	D5	D4	D3	D2	D1	D0	Command	Description
0	0	36	0	0	1	1	0	1	1	0	Program OTP selection	Program OTP Selection according to the OTP Selection Control [R37h and R38h]  The command required CLKEN=1. Refer to Register 0x22 for detail. BUSY pad will output high during operation.
0	0	37	0	0	1	1	0	1	1	1	Write Register for Display Option	Write Register for Display Option A[7] Spare VCOM OTP selection 0: Default [POR] 1: Spare  B[7:0] Display Mode for WS[7:0] C[7:0] Display Mode for WS[15:8] D[7:0] Display Mode for WS[23:16] 0: Display Mode 1 1: Display Mode 2  F[6]: Ping-Pong for Display Mode 2 0: RAM Ping-Pong disable [POR] 1: RAM Ping-Pong enable  G[7:0]~J[7:0] module ID /waveform version.  Remarks: 1) A[7:0]~J[7:0] can be stored in OTP 2) RAM Ping-Pong function is not support for Display Mode 1
0	1		A <sub>7</sub>	0	0	0	0	0	0	0		
0	1		B <sub>7</sub>	B <sub>6</sub>	B <sub>5</sub>	B <sub>4</sub>	B <sub>3</sub>	B <sub>2</sub>	B <sub>1</sub>	B <sub>0</sub>		
0	1		C <sub>7</sub>	C <sub>6</sub>	C <sub>5</sub>	C <sub>4</sub>	C <sub>3</sub>	C <sub>2</sub>	C <sub>1</sub>	C <sub>0</sub>		
0	1		D <sub>7</sub>	D <sub>6</sub>	D <sub>5</sub>	D <sub>4</sub>	D <sub>3</sub>	D <sub>2</sub>	D <sub>1</sub>	D <sub>0</sub>		
0	1		E <sub>7</sub>	E <sub>6</sub>	E <sub>5</sub>	E <sub>4</sub>	E <sub>3</sub>	E <sub>2</sub>	E <sub>1</sub>	E <sub>0</sub>		
0	1		0	F <sub>6</sub>	0	0	F <sub>3</sub>	F <sub>2</sub>	F <sub>1</sub>	F <sub>0</sub>		
0	1		G <sub>7</sub>	G <sub>6</sub>	G <sub>5</sub>	G <sub>4</sub>	G <sub>3</sub>	G <sub>2</sub>	G <sub>1</sub>	G <sub>0</sub>		
0	1		H <sub>7</sub>	H <sub>6</sub>	H <sub>5</sub>	H <sub>4</sub>	H <sub>3</sub>	H <sub>2</sub>	H <sub>1</sub>	H <sub>0</sub>		
0	1		I <sub>7</sub>	I <sub>6</sub>	I <sub>5</sub>	I <sub>4</sub>	I <sub>3</sub>	I <sub>2</sub>	I <sub>1</sub>	I <sub>0</sub>		
0	1		J <sub>7</sub>	J <sub>6</sub>	J <sub>5</sub>	J <sub>4</sub>	J <sub>3</sub>	J <sub>2</sub>	J <sub>1</sub>	J <sub>0</sub>		
0	0	38	0	0	1	1	1	0	0	0	Write Register for User ID	Write Register for User ID A[7:0]~J[7:0]: UserID [10 bytes]  Remarks: A[7:0]~J[7:0] can be stored in OTP
0	1		A <sub>7</sub>	A <sub>6</sub>	A <sub>5</sub>	A <sub>4</sub>	A <sub>3</sub>	A <sub>2</sub>	A <sub>1</sub>	A <sub>0</sub>		
0	1		B <sub>7</sub>	B <sub>6</sub>	B <sub>5</sub>	B <sub>4</sub>	B <sub>3</sub>	B <sub>2</sub>	B <sub>1</sub>	B <sub>0</sub>		
0	1		C <sub>7</sub>	C <sub>6</sub>	C <sub>5</sub>	C <sub>4</sub>	C <sub>3</sub>	C <sub>2</sub>	C <sub>1</sub>	C <sub>0</sub>		
0	1		D <sub>7</sub>	D <sub>6</sub>	D <sub>5</sub>	D <sub>4</sub>	D <sub>3</sub>	D <sub>2</sub>	D <sub>1</sub>	D <sub>0</sub>		
0	1		E <sub>7</sub>	E <sub>6</sub>	E <sub>5</sub>	E <sub>4</sub>	E <sub>3</sub>	E <sub>2</sub>	E <sub>1</sub>	E <sub>0</sub>		
0	1		F <sub>7</sub>	F <sub>6</sub>	F <sub>5</sub>	F <sub>4</sub>	F <sub>3</sub>	F <sub>2</sub>	F <sub>1</sub>	F <sub>0</sub>		
0	1		G <sub>7</sub>	G <sub>6</sub>	G <sub>5</sub>	G <sub>4</sub>	G <sub>3</sub>	G <sub>2</sub>	G <sub>1</sub>	G <sub>0</sub>		
0	1		H <sub>7</sub>	H <sub>6</sub>	H <sub>5</sub>	H <sub>4</sub>	H <sub>3</sub>	H <sub>2</sub>	H <sub>1</sub>	H <sub>0</sub>		
0	1		I <sub>7</sub>	I <sub>6</sub>	I <sub>5</sub>	I <sub>4</sub>	I <sub>3</sub>	I <sub>2</sub>	I <sub>1</sub>	I <sub>0</sub>		
0	1		J <sub>7</sub>	J <sub>6</sub>	J <sub>5</sub>	J <sub>4</sub>	J <sub>3</sub>	J <sub>2</sub>	J <sub>1</sub>	J <sub>0</sub>		
0	0	39	0	0	1	1	1	0	0	1	OTP program mode	OTP program mode A[1:0] = 00: Normal Mode [POR] A[1:0] = 11: Internal generated OTP programming voltage  Remark: User is required to EXACTLY follow the reference code sequences
0	1		0	0	0	0	0	0	A <sub>1</sub>	A <sub>0</sub>		



Command Table																																										
R/W#	D/C#	Hex	D7	D6	D5	D4	D3	D2	D1	D0	Command	Description																														
0	0	3C	0	0	1	1	1	1	1	0	0	<b>Border Waveform Control</b> Select border waveform for VBD A[7:0] = C0h [POR], set VBD as HiZ. A [7:6] :Select VBD option <table border="1" style="margin-left: 20px;"> <tr> <td>A[7:6]</td> <td>Select VBD as</td> </tr> <tr> <td>00</td> <td>GS Transition, Defined in A[2] and A[1:0]</td> </tr> <tr> <td>01</td> <td>Fix Level, Defined in A[5:4]</td> </tr> <tr> <td>10</td> <td>VCOM</td> </tr> <tr> <td>11[POR]</td> <td>HiZ</td> </tr> </table> A [5:4] Fix Level Setting for VBD <table border="1" style="margin-left: 20px;"> <tr> <td>A[5:4]</td> <td>VBD level</td> </tr> <tr> <td>00</td> <td>VSS</td> </tr> <tr> <td>01</td> <td>VSH1</td> </tr> <tr> <td>10</td> <td>VSL</td> </tr> <tr> <td>11</td> <td>VSH2</td> </tr> </table> A [1:0] GS Transition setting for VBD VBD Level Selection: 00b: VCOM ; 01b: VSH1; 10b: VSL; 11b: VSH2 <table border="1" style="margin-left: 20px;"> <tr> <td>A[1:0]</td> <td>VBD Transition</td> </tr> <tr> <td>00</td> <td>LUT0</td> </tr> <tr> <td>01</td> <td>LUT1</td> </tr> <tr> <td>10</td> <td>LUT2</td> </tr> <tr> <td>11</td> <td>LUT3</td> </tr> </table>	A[7:6]	Select VBD as	00	GS Transition, Defined in A[2] and A[1:0]	01	Fix Level, Defined in A[5:4]	10	VCOM	11[POR]	HiZ	A[5:4]	VBD level	00	VSS	01	VSH1	10	VSL	11	VSH2	A[1:0]	VBD Transition	00	LUT0	01	LUT1	10	LUT2	11	LUT3
A[7:6]	Select VBD as																																									
00	GS Transition, Defined in A[2] and A[1:0]																																									
01	Fix Level, Defined in A[5:4]																																									
10	VCOM																																									
11[POR]	HiZ																																									
A[5:4]	VBD level																																									
00	VSS																																									
01	VSH1																																									
10	VSL																																									
11	VSH2																																									
A[1:0]	VBD Transition																																									
00	LUT0																																									
01	LUT1																																									
10	LUT2																																									
11	LUT3																																									
0	1		A <sub>7</sub>	A <sub>6</sub>	A <sub>5</sub>	A <sub>4</sub>	0	0	A <sub>1</sub>	A <sub>0</sub>																																
0	0	3F	0	0	1	1	1	1	1	1	1	<b>End Option (EOPT)</b> Option for LUT end Set this byte to 22h																														
0	1		A <sub>7</sub>	A <sub>6</sub>	A <sub>5</sub>	A <sub>4</sub>	A <sub>3</sub>	A <sub>2</sub>	A <sub>1</sub>	A <sub>0</sub>																																
0	0	41	0	1	0	0	0	0	0	0	1	<b>Read RAM Option</b> Read RAM Option A[0]= 0 [POR] 0 : Read RAM corresponding to RAM0x24 1 : Read RAM corresponding to RAM0x26																														
0	1		0	0	0	0	0	0	0	0	A <sub>0</sub>																															
0	0	44	0	1	0	0	0	1	0	0	0	<b>Set RAM X - address Start / End position</b> Specify the start/end positions of the window address in the X direction by an address unit for RAM  A[5:0]: XSA[5:0], XStart, POR = 00h B[5:0]: XEA[5:0], XEnd, POR = 31h																														
0	1		0	0	A <sub>5</sub>	A <sub>4</sub>	A <sub>3</sub>	A <sub>2</sub>	A <sub>1</sub>	A <sub>0</sub>																																
0	1		0	0	B <sub>5</sub>	B <sub>4</sub>	B <sub>3</sub>	B <sub>2</sub>	B <sub>1</sub>	B <sub>0</sub>																																
0	0	45	0	1	0	0	0	1	0	1	1	<b>Set Ram Y- address Start / End position</b> Specify the start/end positions of the window address in the Y direction by an address unit for RAM  A[8:0]: YSA[8:0], YStart, POR = 000h B[8:0]: YEA[8:0], YEnd, POR = 12Bh																														
0	1		A <sub>7</sub>	A <sub>6</sub>	A <sub>5</sub>	A <sub>4</sub>	A <sub>3</sub>	A <sub>2</sub>	A <sub>1</sub>	A <sub>0</sub>																																
0	1		0	0	0	0	0	0	0	0	A <sub>8</sub>																															
0	1		B <sub>7</sub>	B <sub>6</sub>	B <sub>5</sub>	B <sub>4</sub>	B <sub>3</sub>	B <sub>2</sub>	B <sub>1</sub>	B <sub>0</sub>																																
0	1		0	0	0	0	0	0	0	0	B <sub>8</sub>																															
0	0	46	0	1	0	0	0	1	1	0	0	<b>Auto Write RED RAM for Regular Pattern</b> Auto Write RED RAM for Regular Pattern A[7:0] = 00h [POR]																														
0	1		A <sub>7</sub>	A <sub>6</sub>	A <sub>5</sub>	A <sub>4</sub>	0	A <sub>2</sub>	A <sub>1</sub>	A <sub>0</sub>																																



Command Table												Command	Description
R/W#	D/C#	Hex	D7	D6	D5	D4	D3	D2	D1	D0		Command	Description
													A[5:0]: 00h [POR].
0	0	4F	0	1	0	0	1	1	1	1		Set RAM Y address counter	Make initial settings for the RAM Y address in the address counter (AC) A[8:0]: 000h [POR].
0	1		A <sub>7</sub>	A <sub>6</sub>	A <sub>5</sub>	A <sub>4</sub>	A <sub>3</sub>	A <sub>2</sub>	A <sub>1</sub>	A <sub>0</sub>			
0	1		0	0	0	0	0	0	0	A <sub>8</sub>			
0	0	7F	0	1	1	1	1	1	1	1		NOP	This command is an empty command; it does not have any effect on the display module. However it can be used to terminate Frame Memory Write or Read Commands.

GOODDISPLAY

## 8. Optical Specifications

Measurements are made with that the illumination is under an angle of 45 degree, the detection is perpendicular unless otherwise specified

Symbol	Parameter	Conditions	Min	Typ.	Max	Units	Notes
R	White Reflectivity	White	30	35	-	%	8-1
CR	Contrast Ratio	Indoor	8:1		-		8-2
GN	2Grey Level	-		$DS+(WS-DS)*n(m-1)$			8-3
T update	Image update time	at 25 °C		3	-	sec	
Life		Topr		1000000times or 5years			

### Notes:

- 8-1. Luminance meter: Eye-One Pro Spectrophotometer.
- 8-2. CR=Surface Reflectance with all white pixel/Surface Reflectance with all black pixels.
- 8-3. WS: White state, DS: Dark state

## 9. Handling, Safety and Environment Requirements

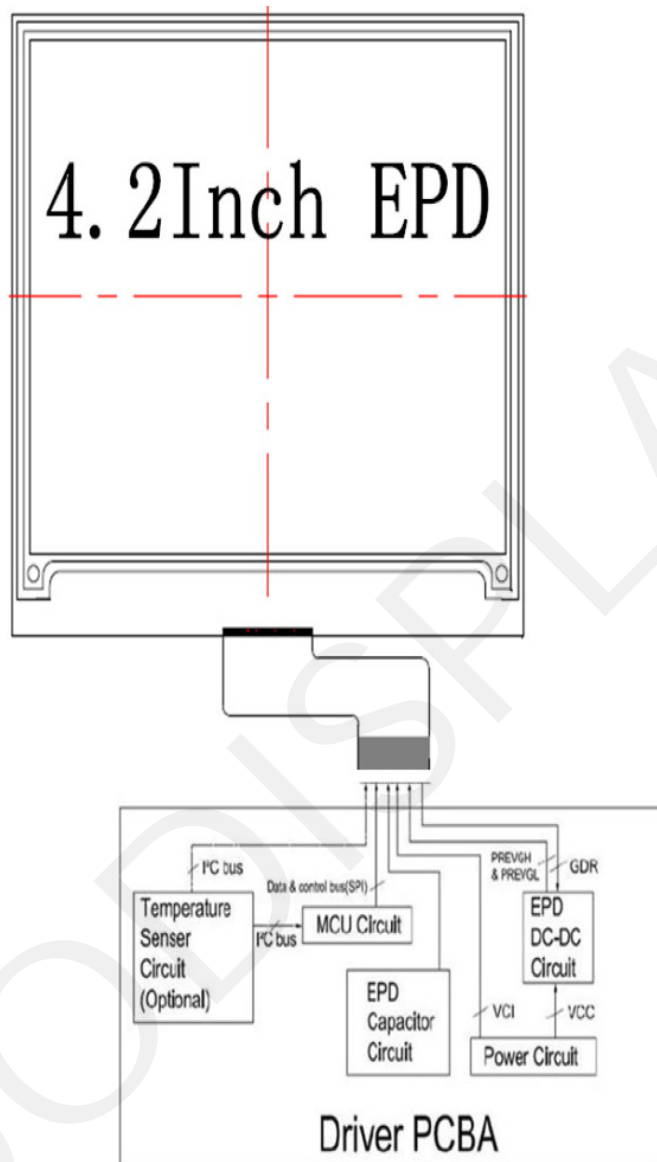
<b>Warning</b>	
The display glass may break when it is dropped or bumped on a hard surface. Handle with care. Should the display break, do not touch the electrophoretic material. In case of contact with electrophoretic material, wash with water and soap.	
<b>Caution</b>	
The display module should not be exposed to harmful gases, such as acid and alkali gases, which corrode electronic components. Disassembling the display module.	
Disassembling the display module can cause permanent damage and invalidates the warranty agreements.	
Observe general precautions that are common to handling delicate electronic components. The glass can break and front surfaces can easily be damaged. Moreover the display is sensitive to static electricity and other rough environmental conditions.	
<b>Data sheet status</b>	
Product specification	This data sheet contains final product specifications.
<b>Limiting values</b>	
Limiting values given are in accordance with the Absolute Maximum Rating System (IEC 134). Stress above one or more of the limiting values may cause permanent damage to the device. These are stress ratings only and operation of the device at these or at any other conditions above those given in the Characteristics sections of the specification is not implied. Exposure to limiting values for extended periods may affect device reliability.	
<b>Application information</b>	
Where application information is given, it is advisory and does not form part of the specification.	

## 10. Reliability test

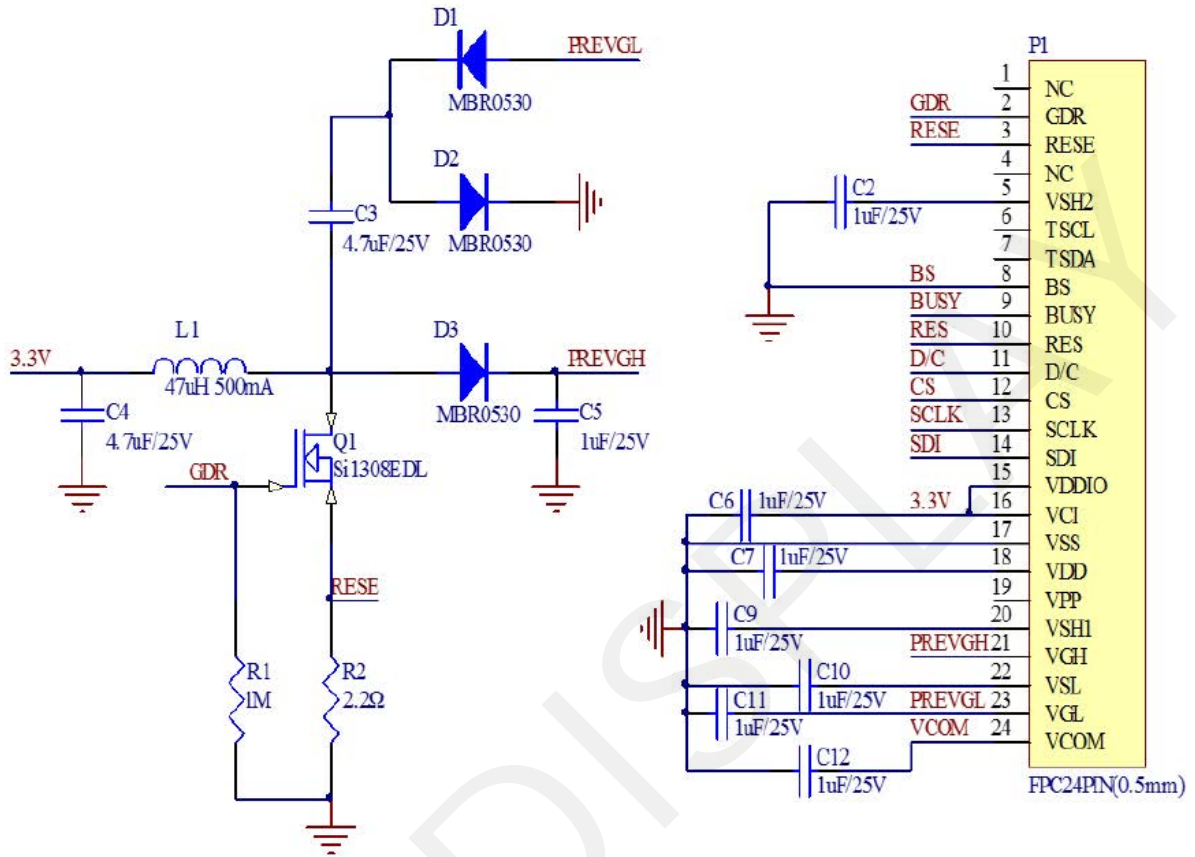
NO	Test items	Test condition
1	Low-Temperature Storage	T = -25°C, 240 h Test in white pattern
2	High-Temperature Storage	T = +70°C, RH=40% ,240h Test in white pattern
3	High-Temperature Operation	T = +50°C, RH = 30% ,240h
4	Low-Temperature Operation	0°C, 240h
5	High-Temperature, High-Humidity Operation	T=+40°C, RH=90%,168h
6	High Temperature, High Humidity Storage	T=+60°C, RH=80%,240h Test in white pattern
7	Temperature Cycle	1 cycle:[-25°C 30min]→[+70 °C 30 min] : 100 cycles Test in white pattern
8	UV exposure Resistance	765W/m <sup>2</sup> for 168hrs,40 °C Test in white pattern
9	ESD Gun	Air+/-15KV;Contact+/-8KV (Test finished product shell,not display only) Air+/-8KV;Contact+/-6KV (Naked EPD display,no including IC and FPC area) Air+/-4KV;Contact+/-2KV (Naked EPD display,including IC and FPC area)

**Note:** Put in normal temperature for 1hour after test finished, display performance is ok.

## 11. Block Diagram



## 12. Reference Circuit



### **13. Matched Development Kit**

Our Development Kit designed for SPI E-paper Display aims to help users to learn how to use E-paper Display more easily. It can refresh black-white E-paper Display and three-color (black, white and red/Yellow) Good Display `s E-paper Display. And it is also added the functions of USB serial port, Raspberry Pi and LED indicator light ect.

DESPI Development Kit consists of the development board and the pinboard.

More details about the Development Kit, please click to the following link:

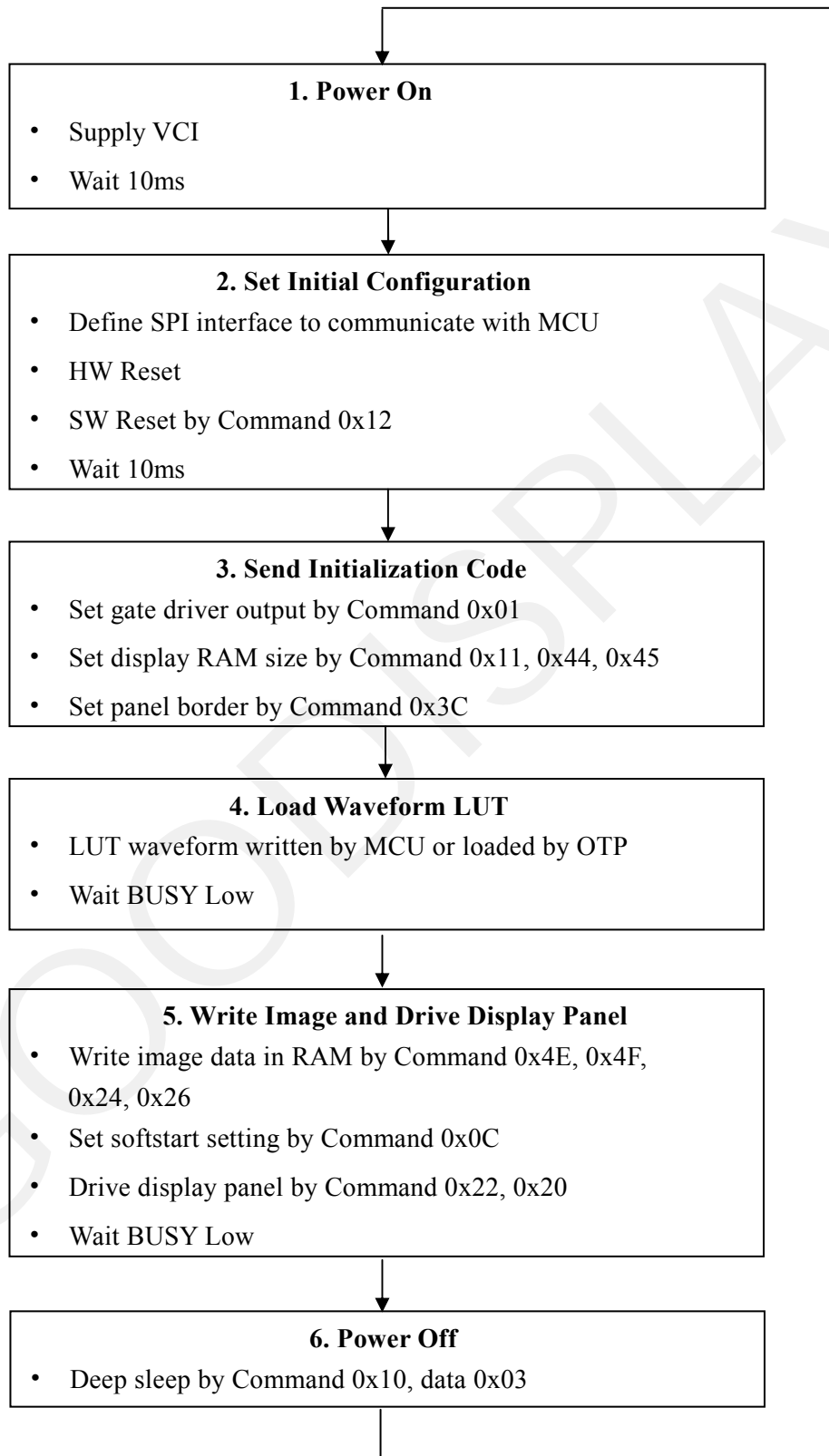
<https://www.good-display.com/product/53/>

GOODDISPLAY



## 14. Typical Operating Sequence

### 14.1 Normal Operation Flow



## 14.2 Normal Operation Reference Program Code

ACTION	VALUE/DATA	COMMENT
POWER ON		
delay	10ms	
PIN CONFIG		
RESE#	low	Hardware reset
delay	200us	
RESE#	high	
delay	200us	
Read busy pin		Wait for busy low
Command 0x12		Software reset
Read busy pin		Wait for busy low
Command 0x01	Data 0x2b 0x01 0x00	Set display size and driver output control
Command 0x11	Data 0x01	Ram data entry mode
Command 0x44	Data 0x00 0x31	Set Ram X address
Command 0x45	Data 0x2b 0x01 0x00 0x00	Set Ram Y address
Command 0x3C	Data 0x01	Set border
LOAD IMAGE AND UPDATE		
Command 0x4E	Data 0x00	Set Ram X address counter
Command 0x4F	Data 0x2b 0x00	Set Ram Y address counter
Command 0x24	Data 0xXX... , 0xXX	Write B/W image data into to Register 0x24 RAM
Command 0x4E	Data 0x00	Set Ram X address counter
Command 0x4F	Data 0x2b 0x00	Set Ram Y address counter
Command 0x26	Data 0xXX... , 0xXX	Write Red image data into Register 0x26 RAM
Command 0x20		
Read busy pin		
Command 0x10	Data 0X01	Enter deep sleep mode
POWER OFF		

**15. Inspection condition**  
**15. 1 Environment**

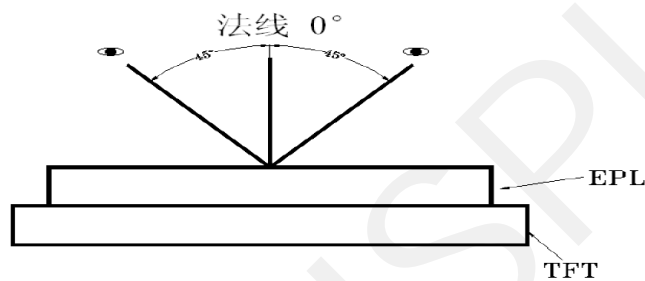
Temperature: 25±3℃

Humidity: 55±10%RH

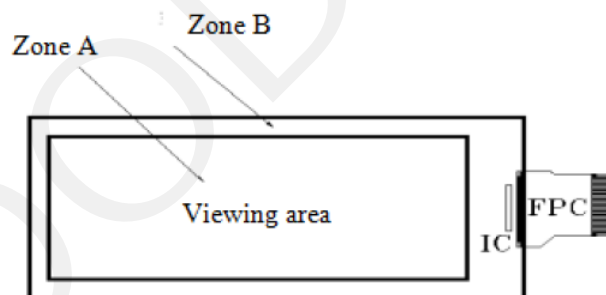
**15. 2 Illuminance**

Brightness:1200~1500LUX;distance:20-30CM;Angle:Relate 45°surround.

**15.3 Inspection method**

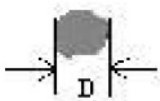
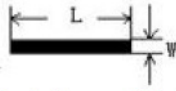


**15. 4 Display area**

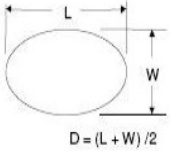
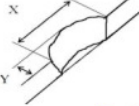
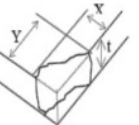
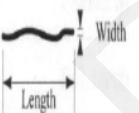

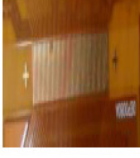


## 15. 5 Inspection standard

### 15. 5.1 Electric inspection standard

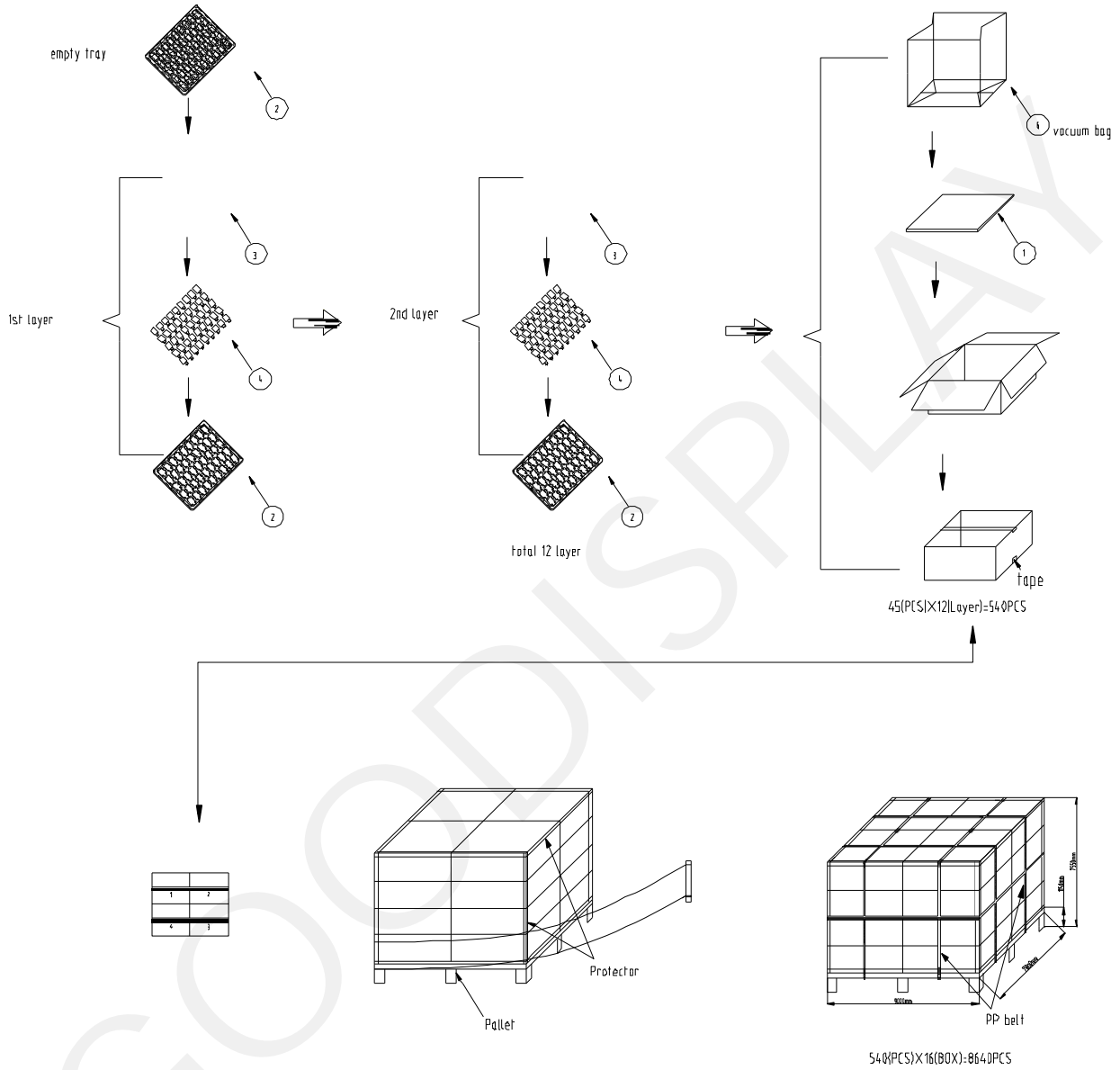
NO.	Item	Standard	Defect level	Method	Scope
1	Display	Display complete Display uniform	MA		
2	Black/White spots	 $D \leq 0.25\text{mm}$ , Allowed $0.25\text{mm} < D \leq 0.4\text{mm}$ , $N \leq 3$ , and Distance $\geq 5\text{mm}$ $0.4\text{mm} < D$ Not Allow	MI	Visual inspection	Zone A
3	Black/White spots (No switch)	 $L \leq 0.6\text{mm}$ , $W \leq 0.2\text{mm}$ , $N \leq 1$ $L \leq 2.0\text{mm}$ , $W > 0.2\text{mm}$ , Not Allow $L > 0.6\text{mm}$ , Not Allow		Visual/ Inspection card	
4	Ghost image	Allowed in switching process	MI	Visual inspection	
5	Flash spots/ Larger FPL size	Flash spots in switching, Allowed FPL size larger than viewing area, Allowed	MI	Visual/ Inspection card	Zone A Zone B
6	Display wrong/Missing	All appointed displays are showed correct	MA	Visual inspection	Zone A
6	Shortcircuit/ Circuit break/ Display abnormal	Not Allow			

### 15.5.2 Appearance inspection standard

NO.	Item	Standard	Defect level	Method	Scope
1	B/W spots /Bubble/ Foreign bodies/ Dents	 <p><math>D = (L + W) / 2</math>  <math>D \leq 0.25\text{mm}</math>, Allowed  <math>0.25\text{mm} &lt; D \leq 0.4\text{mm}</math>, <math>N \leq 3</math>  <math>D &gt; 0.4\text{mm}</math>, Not Allow</p>	MI	Visual inspection	Zone A
2	Glass crack	Not Allow	MA	Visual / Microscope	Zone A Zone B
3	Dirty	Allowed if can be removed	MI		Zone A Zone B
4	Chips/Scratch/ Edge crown	 <p><math>X \leq 3\text{mm}, Y \leq 0.5\text{mm}</math></p>  <p><math>2\text{mm} \leq X</math> or <math>2\text{mm} \leq Y</math> Allow</p>  <p><math>W \leq 0.1\text{mm}, L \leq 5\text{mm}, n \leq 2</math>  Edge crown: <math>X \leq 0.3\text{mm}, Y \leq 3\text{mm}</math></p>	MI	Visual / Microscope	Zone A Zone B
5	Substrate color difference	Allowed			
6	FPC broken/ Goldfingers oxidation/ scratch	  <p>Not Allow</p>	MA	Visual / Microscope	Zone B

7	PCB damaged/ Poor welding/ Curl	PCB (Circuit area) damaged Not Allow PCB Poor welding Not Allow PCB Curl $\leq$ 1%			
8	Edge Adhesives height/FPL/ Edge adhesives bubble	Edge Adhesives height $\leq$ Display surface Edge adhesives seep in $\leq$ 1/2 Margin width FPL tolerance $\pm$ 0.3mm Edge adhesives bubble: bubble Width $\leq$ 1/2 Margin width; Length $\leq$ 0.5mm。n $\leq$ 3	MI	Visual / Ruler	Zone B
9	Protect film	Surface scratch but not effect protect function, Allow		Visual Inspection	

## 16. Packing



## 17. Precautions

- (1) Do not apply pressure to the EPD panel in order to prevent damaging it.
- (2) Do not connect or disconnect the interface connector while the EPD panel is in operation.
- (3) Do not touch IC bonding area. It may scratch TFT lead or damage IC function.
- (4) Please be mindful of moisture to avoid its penetration into the EPD panel, which may cause damage during operation.
- (5) If the EPD Panel / Module is not refreshed every 24 hours, a phenomena known as "Ghosting" or "Image Sticking" may occur. It is recommended to refreshed the ESL /EPD Tag every 24 hours in use case. It is recommended that customer ships or stores the ESL / EPD Tag with a completely white image to avoid this issue
- (6) High temperature, high humidity, sunlight or fluorescent light may degrade the EPD panel's performance. Please do not expose the unprotected EPD panel to high temperature, high humidity, sunlight, or fluorescent for long periods of time.
- (7) For more precautions, please click on the link:  
<https://www.good-display.com/news/80.html>