

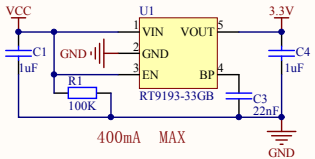
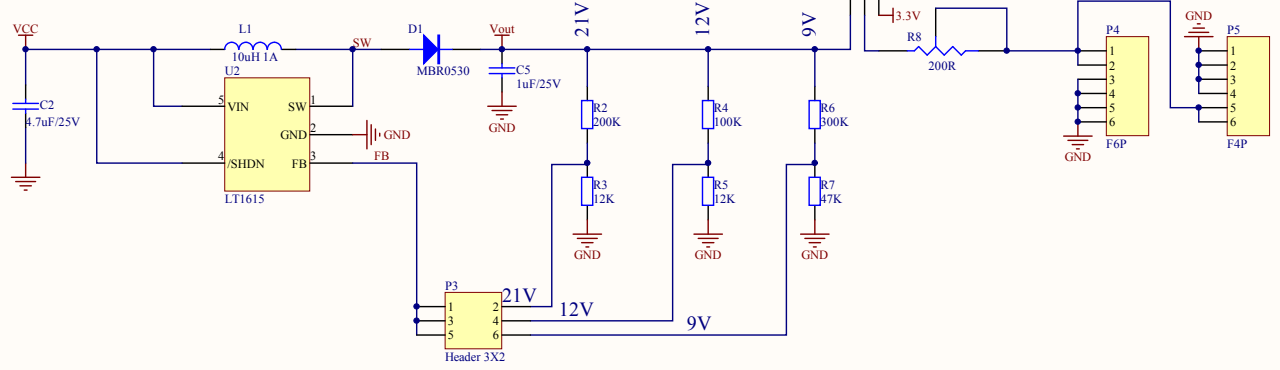
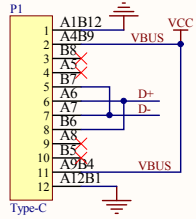
Light

$R1:R2=(V_{out}-1.23):1.23$

16.00-21V

8.75-12V

6.31-9V



Title		
Size	Number	Revision
B		
Date:	2023/4/20	Sheet of
File:	H:\...\\ADESPL-F01-SCH20230401	Sub: 0001

Comment	Designator	Footprint	Quantity
1uF	C1, C4	C0603	2
4.7uF/25V	C2	C0603	1
22nF	C3	C0603	1
1uF/25V	C5	C0603	1
MBR0530	D1	SOD-123	1
10uH 1A	L1	1210	1
Type-C	P1	USB-TYPE-C_16PIN--MINI	1
Header 2	P2	HDR1X2	1
Header 3X2	P3	HDR2X3	1
F6P	P4	FPC6 MINI	1
Header 3	P4	HDR1X3	1
F4P	P5	FPC6 MINI	1
100K	R1, R4	R0603	2
200K	R2	R0603	1
12K	R3, R5	R0603	2
300K	R6	R0603	1
47K	R7	R0603	1
200R	R8	R5x5	1
RT9193-33GB	U1	SOT23-5	1
LT1615	U2	SOT-23-5	1