

## 1. Product Description



**Electrical Type:** Isolated LED driver for Class I LED fixtures

**Driver Type:** Flicker-free LED driver

**Function:** 0-10V / PWM / Rx dimming. Specially designed for tri-proof light.

**Product Feature:** active PFC, high PF, high efficiency, low THD, 0-10V / PWM / Rx dimming

**Application:** indoor office lighting, decorative lighting, commercial lighting & residential lighting.

**Warranty:** 5 years (Please refer to the warranty condition.)

**Certificate:** CE, CB, RCM, SAA

## 2. Technical Data

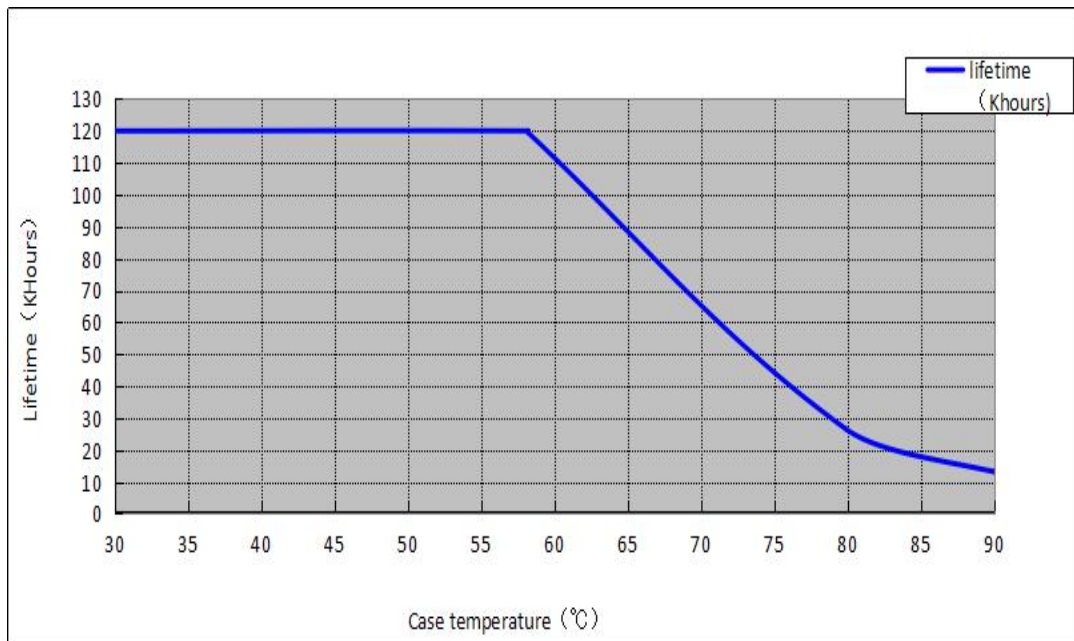
Full Model Number		LF-GLD035YE0600H	LF-GLD035YE0650H	LF-GLD035YE0700H	LF-GLD035YE0750H	LF-GLD035YE0800H
Output	Output Voltage	25-42Vdc				
	Output Current	600mA	650mA	700mA	750mA	800mA
	Ripple Voltage	< 2V@50Hz				
	Current Tolerance	±5%				
	Start-up Time	<0.5S @230Vac				
	Temperature Drift	±10%				
	Line Regulation	±5%				
Input	Line Regulation	±5%				
	Input Voltage	220-240Vac (Voltage Limit: 200-264Vac)				
	Input Frequency	47Hz-63Hz				
	Input Current	0.20A Max				
	Power Factor	≥0.95/200Vac	≥0.95/200Vac	≥0.95/200Vac	≥0.95/200Vac	≥0.95/200Vac
		≥0.90/230Vac	≥0.90/230Vac	≥0.90/230Vac	≥0.90/230Vac	≥0.90/230Vac
		≥0.90/264Vac	≥0.90/264Vac	≥0.90/264Vac	≥0.90/264Vac	≥0.90/264Vac
	THD	≤20%				
	Efficiency	≥85%/200Vac	≥85%/200Vac	≥85%/200Vac	≥85%/200Vac	≥86%/200Vac
		≥85%/230Vac	≥85%/230Vac	≥85%/230Vac	≥85%/230Vac	≥86%/230Vac
≥85%/264Vac		≥85%/264Vac	≥85%/264Vac	≥85%/264Vac	≥85%/264Vac	
In-Rush Current	<80A/350uS@230Vac					
Stand-by Power	≤0.5W @200Vac or @ 230Vac					
Protective Feature	Open Circuit Protection	Open circuit voltage ≤ 55Vdc				
	Short Circuit Protection	Hiccup mode (auto-recovery)				
Environment Condition	Working Temperature	-30℃ ~ +50℃				
	Working Humidity	20-90%RH (no condensation)				
	Storage Temperature/Humidity	-40℃ ~ +80℃ (6 months under the class I environment); 10-90%RH (no condensation)				
	Atmospheric Pressure	86-106KPa				
Safety & Norm	Certificate	CE, CB, SAA, RCM				
	Withstanding Voltage	I/P-O/P: 3.75kVac, <5mA, 60S; I/P-FG:1.6kVac, <5mA 60S; O/P-FG: 0.5kVac, <5mA 60S				
	Insulation Resistance	I/P-O/P, I/P-FG, O/P-FG: 500VDC, >100MΩ				
	Surge Rating	Conform to IEC61000-4-5 (L-N:1KV, L/N-PG:2KV)				
	EMI	EN 55015				
	EMS	Comply with EN61000-4-2,3,4,5,6,8,11; EN61547				
Others	Package (Weight)	Carton size: 385*285*210 Mm (L*W*H); Weight: 160g±5%/pc; 8.68KG±5%/ctn; Quantity: 48pcs/ctn				

<b>Model</b>	LF-GLD035YE	<b>Series</b>	Flicker-Free & Dimmable LED Driver for Tri-Proof Light
--------------	-------------	---------------	--------------------------------------------------------

<b>Others</b>	IP Rating	\
	Warranty	5 years ( $T_c \leq 72^\circ\text{C}$ )
<b>Testing Equipment</b>	AC power source: CHROMA6530, digital power meter: CHROMA66202, Oscilloscope: Tektronix DPO3014, DC electronic load: M9712B, LED board, constant temperature and humidity chamber, lightning surge generator: Everfine EMS61000-5B, rapid group pulse generator: Everfine EMS61000-4A, spectroanalyzer: KH3935, hi-pot tester: TH9201B, stroboscope (flicker parameter tester) 60N-01, etc.	
<b>Testing Condition</b>	If there's no special statement, the parameters above, including the power factor, THD and efficiency, are the test results under the ambient temperature of $25^\circ\text{C}$ and humidity of 50%, input voltage of 230Vac and 90% load.	
<b>Additional Remark</b>	<ol style="list-style-type: none"> <li>1. It is recommended that customer should install protective devices in the power-supply loop of the light fixtures for over voltage, for under voltage and for surge to ensure safety use of electricity.</li> <li>2. The PC cover, casing, end caps and other parts of the LED driver inside the LED light fixture must conform to UL94 V-0 FLAMMABILITY STANDARD or above.</li> <li>3. As an accessory, the LED driver is not the only factor determining the EMC performance of the LED light fixture. The structure and the wiring of the light fixture are also relevant. Thus it's strongly recommended the LED light fixture manufacturer should re-confirm the EMC of the whole LED luminaire.</li> </ol>	

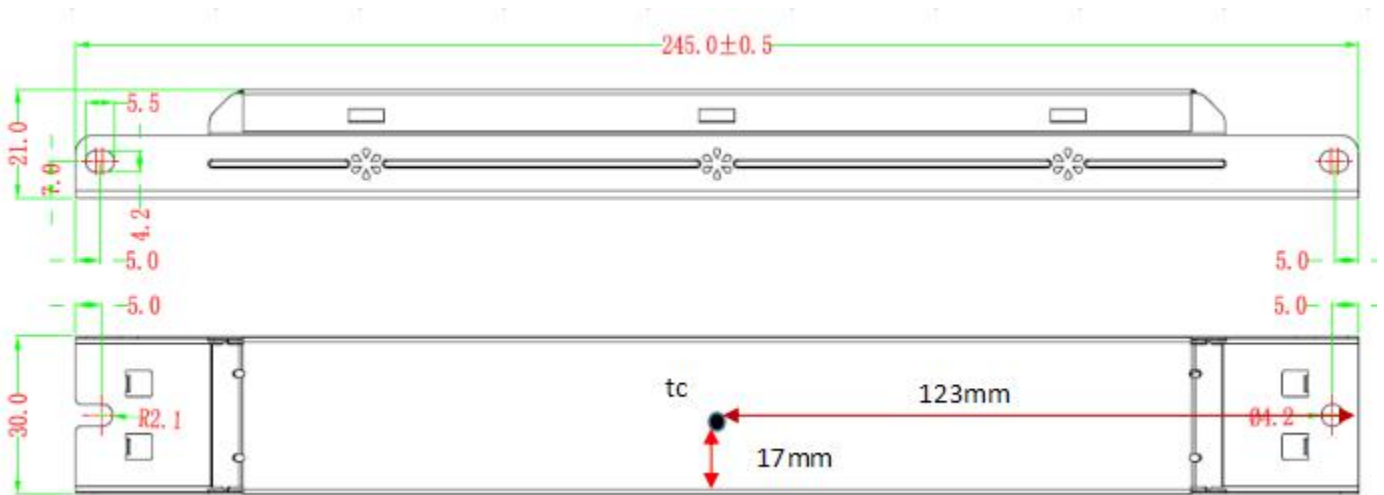
### 3. Product Lifetime Curve

The curve below illustrates the driver's lifetime data when the LED driver's Max. case temperature reaches  $40^\circ\text{C}$ ,  $50^\circ\text{C}$ ,  $60^\circ\text{C}$ ,  $70^\circ\text{C}$  and  $80^\circ\text{C}$ .

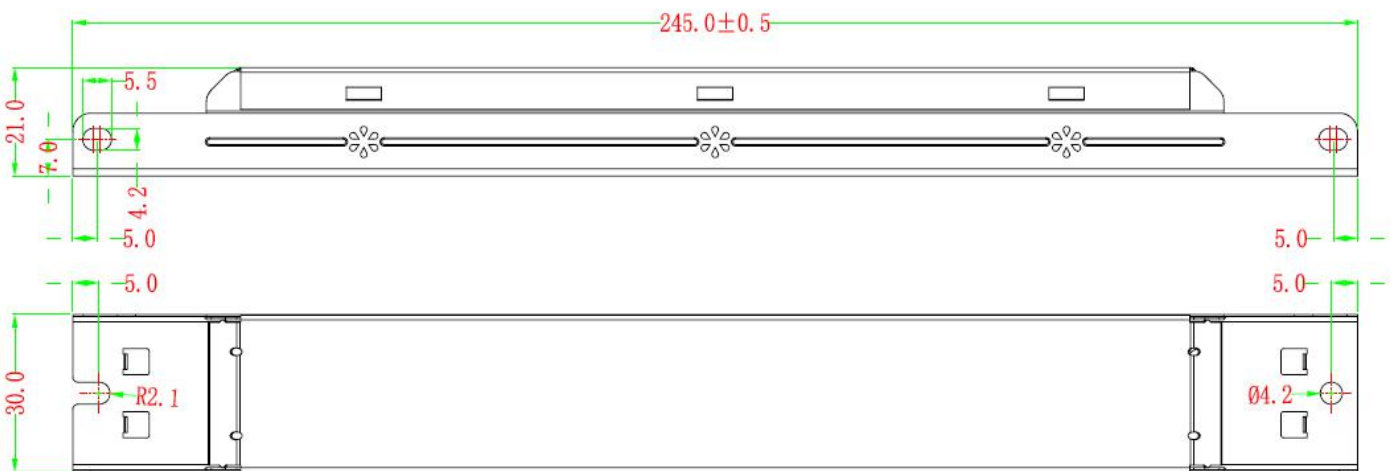


<b>Model</b>	LF-GLD035YE	<b>Series</b>	Flicker-Free & Dimmable LED Driver for Tri-Proof Light
--------------	-------------	---------------	--------------------------------------------------------

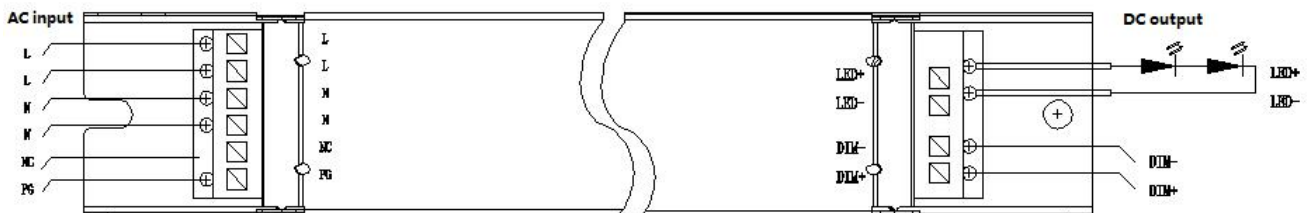
**4. Diagram of the TC Spot**



**5. Dimension (Unit: mm; Tolerance: +0.5mm): 245\*30\*21mm**



**6. Wiring Diagram:**



<b>Model</b>	LF-GLD035YE	<b>Series</b>	Flicker-Free & Dimmable LED Driver for Tri-Proof Light
--------------	-------------	---------------	--------------------------------------------------------

## 7. Dimming

Three dimming modes in one driver. The test data below are for your reference only.

1) 0-10V dimming ranges from 10% to 100%. (Tested with a LIFUD 0-10V dimmer.)

Dimming Voltage	0-0.3V	0.5V	1V	2V	3V	4V	5V	6V	7V	8V	9V	10V	OPEN
Percentage of Rated Current	OFF	ON	13%	24%	35%	46%	57%	69%	80%	92%	99%	99%	95%-105%

2) PWM dimming ranges from 10% to 100%. Voltage amplitude: 10V. The frequency of PWM signal is 300Hz~3KHz. (Tested with a PWM signal generator: RIGOL.)

PWM Signal	0-6%	7%	10%	20%	30%	40%	50%	60%	70%	80%	90%	100%	OPEN
Percentage of Rated Current	OFF	ON	12%	25%	36%	47%	58%	69%	80%	91%	99%	99%	95%-105%

3) Resistance dimming ranges from 10% to 100%. Resistance range: 10kΩ~100kΩ. (Tested with a LEVITON dimmer.)

Rx Range	0-5K	6K	10K	20K	30K	40K	50K	60K	70K	80K	90K	100K	OPEN
Percentage of Rated Current	OFF	ON	13%	24%	35%	45%	56%	67%	78%	89%	99%	99%	95%-105%

Remark: The "lout percentage" above are typical values.

Model	LF-GLD035YE	Series	Flicker-Free & Dimmable LED Driver for Tri-Proof Light
-------	-------------	--------	--------------------------------------------------------