

Features

- High efficiency up to 93%
- Adjustable output current via a potentiometer
- THD <15%
- 3 versions: 3-in-1 dimming, non-dimmable and 3-in-1 dimming + 12V AUX power supply
- Can be dimmed to off
- All-round protections: over voltage protection and short circuit protection
- Surge protections: L-N: 4kV & L/N-GND: 6kV
- IP54



Applications

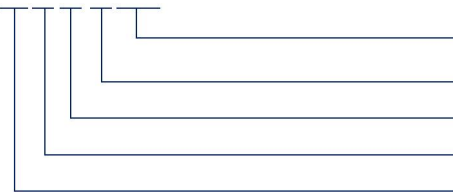
· Shoebox light · high bay light · flood light · wall light

Descriptions

LF-FBx100 is a constant current LED driver. It has high efficiency, high PF and low THD. There is a potentiometer at the top of LED driver that is used to adjust the output current (power). Besides, it conforms to the latest European ErP standard and North America DLC standard.

Product Model

LF - FB A / B / C 100



- 100: rated output power: 100W
- C: 3-in-1 dimming (light sensor optional)
- B: non-dimmable
- A: 3-in-1 dimming + 12V
- F: non-isolated design; B: serial number

Lifud Technology Co., Ltd.

Production Base I (HQ): Building B, Kutto Industrial Park, No.26, Xinhe Road, Bao'an District, Shenzhen City, China.
 Production Base II: No.4, Block 2, Tengfei Road, Shigao Economic Development Area, Meishan City, Sichuan, China.
 Website: www.lifud.com Telephone: +86(0)755 8373 9299 Email: sales@lifud.com

■ Electrical Characteristics

Model		LF-FBA100	LF-FBB100	LF-FBC100
Output	Adjustable Output Current (via a potentiometer)	650-900mA		
	Output Voltage	90-130Vdc (LED)		
	Output Power	100W max.		
	Current Tolerance	±8%		
	Startup Time	120Vac <1S @full load; 230Vac <0.5S @full load		
	Temperature Drift	+2%~-8% @Tc 25-75°C		
Input	Input Voltage	100-277Vac (voltage limit: 90-305Vac)		
	DC Input Voltage	141-276Vdc		
	Input Current	1.3A max.		
	PF	≥0.98/120Vac @full load; ≥0.95/230Vac @full load		
	THD	≤15% @full load		
	Efficiency	≥90%/120Vac @125Vdc/0.8A; ≥93%/230Vac @125Vdc/0.8A		
	Inrush Current	<80A/350uS @230Vac		
	Standby Power Consumption	≤0.5W @220Vac		
12V AUX Power Supply (For FBA Series)	Output Voltage	+12Vdc (11-14V)		
	Output Current	200mA max.		
	Dynamic Load	Please make sure that the dynamic load matches for the LED driver.		
	Ripple Voltage	≤1V		
Protections	Surge	L-N: 4kV (2Ω), L/N-PE: 6kV (12Ω)		
	Open Circuit	Open circuit voltage ≤160Vdc		
	Short Circuit	Hiccup mode (auto-recovery)		
	Grounding Resistance	≤0.1Ω @25A/60S		
	Insulation Resistance	≥10MΩ @I/P-PE O/P-PE: 500Vdc/60S/25°C/70%RH		
Environment Descriptions	Casing Temperature	-40°C - +90°C @120-277Vac		
	Operating Humidity	0-95%RH (without condensation)		
	Storage Temperature/ Humidity	-40°C~+80°C (6 months in Class I environment); 0-95%RH (without condensation)		
	Atmospheric Pressure	86-106kPa		

■ Electrical Characteristics

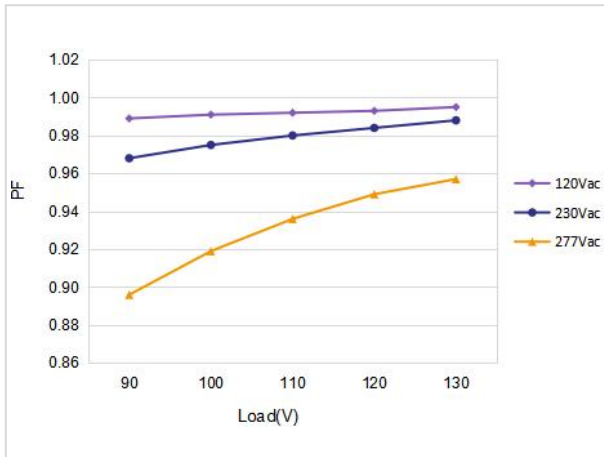
Safety and EMC	Certifications	TUV-ENEC, CE, CB, RCM, SAA, FCC, UL
	Withstanding Voltage	L-N/PG: 1.5kVac, <5mA, 60S
	Safety Standards	ENEC: EN61347-1:2015, EN61347-2-13: 2014/A1: 2017, EN62384 2016/A1: 2009 CE-LVD: EN61347-2-13: 2014/A1: 2017, EN61347-1: 2015, EN62493: 2015 CB: IEC61347-1: 2015, IEC61347-2-3: 2014, IEC61347-2-13: 2014/AMD1: 2016 SAA: AS 61347.2-13: 2018 RCM: AS 61347.2-13: 2018 UL: UL8750, CSA 250.13
	EMI	CE-EMC/RCM: EN55015, EN61000-3-2, EN61000-3-3 FCC: PART 15B
	EMS	CE-EMC/RCM: EN61000-4-2, 3, 4, 5, 6, 11 Conforms to IEC61000-4-2, 3, 4, 5, 6, 8, 11, 12; IEC61547
	Ringing Wave	4kV
	ESD	Air 8kV, touch 4kV (Class B)
	Other Parameters	IP Rating
RoHS		RoHS 2.0 (EU) 2015/863
Warranty		5 years (Tc≤85°C)
MTBF		> 1000Khours@Telcordia SR-332 Issue4
Testing Equipment	Digital power meter: CHROMA66202, oscilloscope: Tektronix DPO3014, DC electronic load: M9712B, LED board, constant temperature and humidity chamber; Everfine EMS61000-5B: Everfine EMS61000-4A, spectroanalyzer: KH3935, withstanding voltage tester: TH9201B, flicker tester (flicker-free coefficient test) 60N-01, etc.	
Testing Remarks	The above parameters are tested at the ambient temperature of 25°C, humidity of 50%, full load and input voltage of 230Vac without any special remarks.	

■ **Electrical Characteristics**

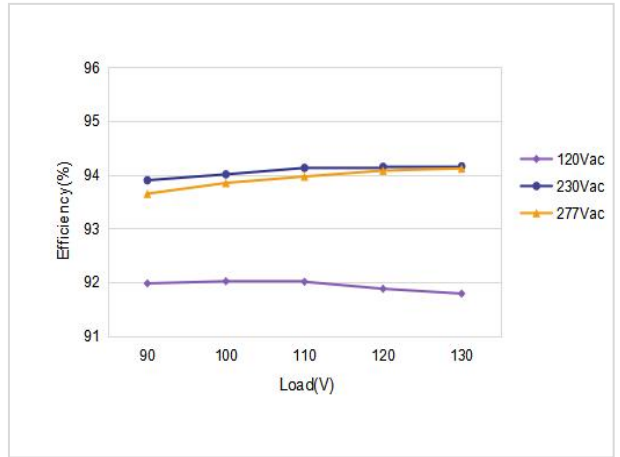
Additional Remarks	<ol style="list-style-type: none"> 1. It is recommended that user install over voltage protection, under voltage protection and surge protection devices in the power supply circuits of light fixtures to ensure electricity safety. 2. The PC shade, casing and plug for assembling the LED driver in the light fixture must meet the fire rating of UL94-V0 or above. 3. The LED driver used in combination with the end device is one of the accessories in the whole light fixture, and its EMC is not only susceptible to the driver itself, but to the LED light fixture and the whole light fixture's wiring. Thus, the manufacturer of LED light fixture should re-confirm the EMC performance of LED driver before the whole light fixture is finished. 4. It is suggested that user use a slotted screwdriver or a Philips to adjust the output current of LED driver, otherwise the potentiometer may be damaged. (The screwdriver should have good insulation at the head, body and handle, and the screwdriver with a 2mm head is recommended as well. What's more, please pay attention that the intensity of torque not exceed 0.5KN.m) 5. When using the LED driver, please pay attention that the total output power not exceed the maximum rated output power, otherwise the warranty service of LED driver would be failed. 6. The withstanding voltage of LED beads and aluminum substrates must > 2.5kVac. 7. Lifud reserves the right to interpret any of the above parameters.
---------------------------	--

■ **Product Characteristic Curves**

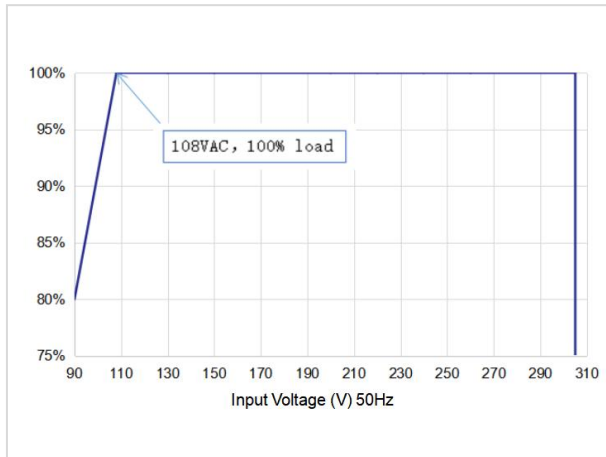
PF Curve



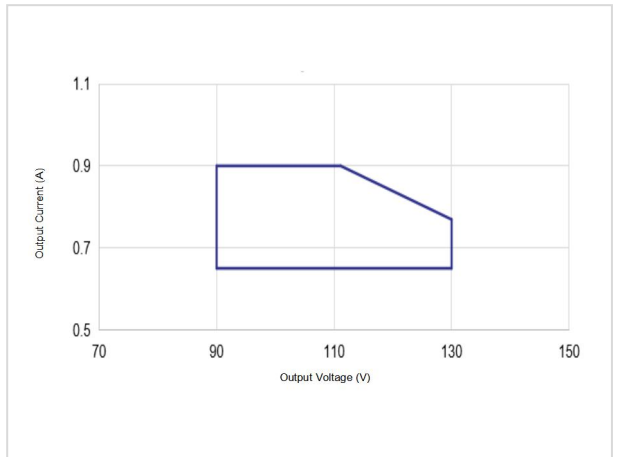
Efficiency Curve



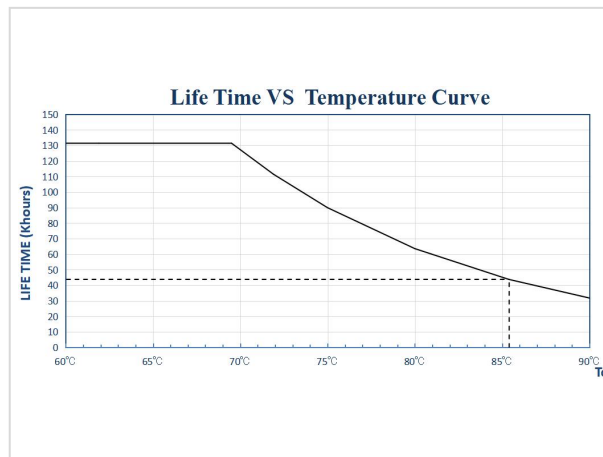
Load Derating Curve



Power Curve



Lifetime Curve



■ Dimming Operation Instructions

Adjustable output current via a built-in potentiometer

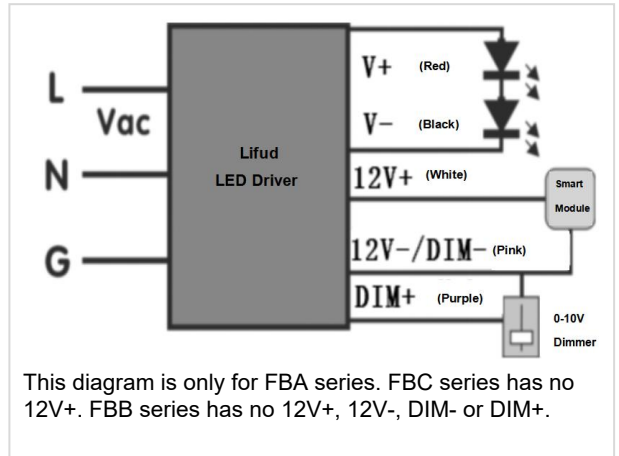
Parameter	Minimum Value	Typical Value	Maximum Value	Note
Output Current	650mA	-	900mA	The total output power should NOT exceed 100W

Remark: this series of LED driver supports 0-10V and Rx dimming

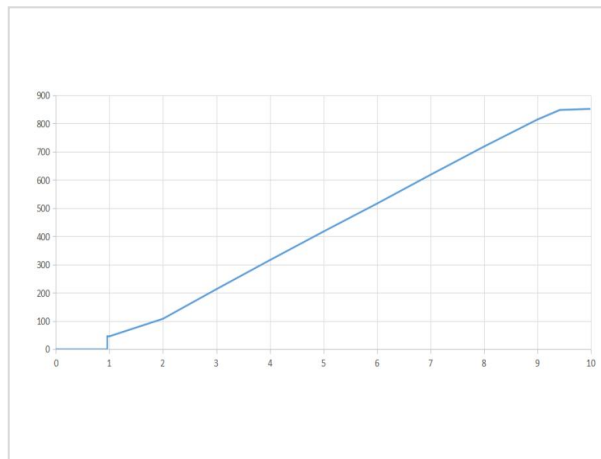
0-10V Dimming Operation

- Connect 0-10V signal to DIM terminal.
- In 0-10V dimming mode, when the input voltage is $0.8V \pm 0.15$, the light turns off. When it's $1V \pm 0.15$, the light turns on.
- Dimming depth: 10%
- DIM+/- (without signal connected): 100% rated current output

Wiring Diagram of 0-10V Dimming



Dimming Curve of FBA and FBC Series

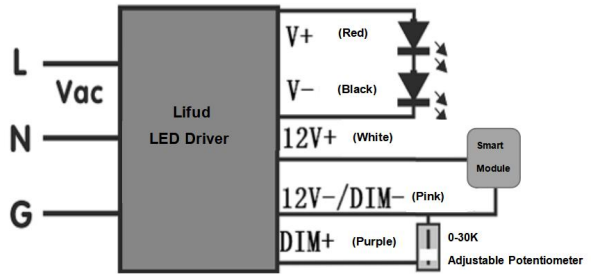


Input: 230Vac, output: 120Vdc/850mA (The data is measured by Lifud 0-10V dimmer and the chart is for reference only)

Rx Dimming Operation

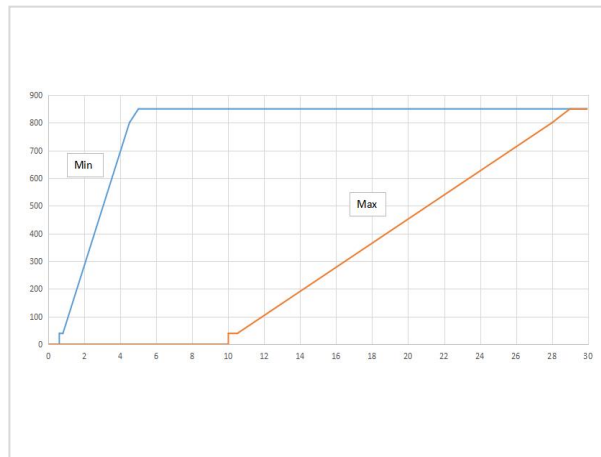
- Connect Rx signal to DIM terminal.
- Range: 0-30KΩ
- DIM+/- (without signal connected): 100% rated current output
- Rx dimming varies greatly in its consistency, and the following dimming curve is for reference only.

Wiring Diagram of Rx Dimming



This diagram is only for FBA series. FBC series has no 12V+. FBB series has no 12V+, 12V-, DIM- or DIM+.

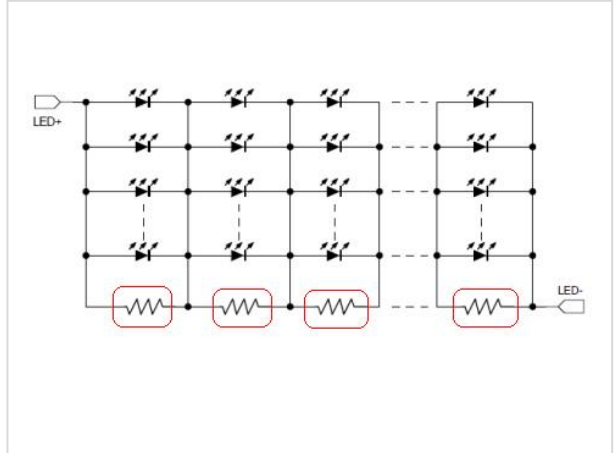
Dimming Curve of FBA and FBC Series



Input: 230Vac, output: 120Vdc/850mA (The data is measured by resistance dimmer and the chart is for reference only)

Dim-to-Off Operation

When the dimming signal of FBA and FBC series is 0V, the LED driver has no output, but there exists junction capacitance between the aluminum substrate's copper foil and the grounding wire, which will make the LED beads glow slightly. Thus, it is necessary to attach a 3-5KΩ resistor (resistor size: 1206) to LED beads in series connection, and the connection method is as shown in the right figure.



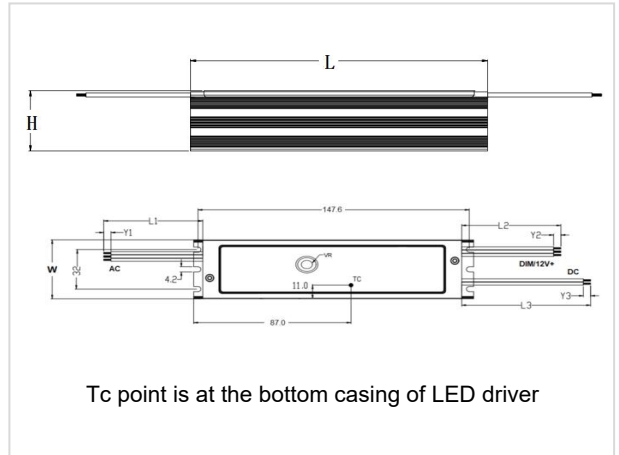
■ Structure & Dimensions (unit: mm; tolerance: ±2mm)

Wire Specifications

Type	Input Wire	Output Wire	Dimming & AUX Power Supply Wires
FBA	PVC Electronic Wire UL1015 18AWG	PVC Electronic Wire UL1015 18AWG	PVC Electronic Wire UL1015 22AWG
FBB	PVC Electronic Wire UL1015 18AWG	PVC Electronic Wire UL1015 18AWG	/
FBC	PVC Electronic Wire UL1015 18AWG	PVC Electronic Wire UL1015 18AWG	PVC Electronic Wire UL1015 22AWG
Color	AC-L Black; AC-N White; PG Green	LED+ Red; LED- Black	DIM+ Purple; DIM- Pink; 12V+ White
Length	250±20mm (L1)	300±20mm (L3)	220±20mm (L2)
Tinned	10±1.5mm (Y1)	10±1.5mm (Y3)	10±1.5mm (Y2)

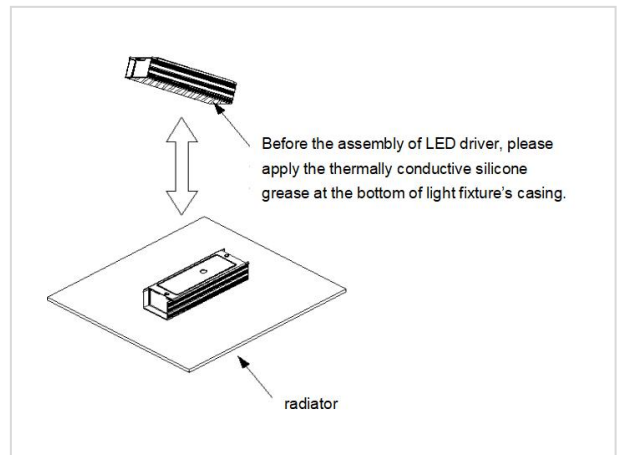
Casing Dimensions

Description	Symbol	Unit (mm)
Length	L	154
Width	W	48
Height	H	34



■ Heat Dissipation Instruction

It is recommended that the thermally conductive silicone grease be applied among the light fixture's casing, radiator and LED driver. Moreover, the TC temperature shall not exceed +90°C.



■ Packaging Specifications

Model	LF-FBA/FBB/FBC100
Carton Size	420*305*225mm (L×W×H)
Quantity	9 pcs/layer; 3 layers/ctn; 27 pcs/ctn
Weight	0.350±0.1 kg/pc; 10.5±1.2 kg/ctn

■ Transportation and Storage

1. Transportation

- Suitable transportation means: vehicles, boats and aeroplanes.
- In transit, it is necessary to prepare awnings for rain or sun protection. Moreover, please keep civilized loading and unloading to prevent the vibration or impact of LED driver as much as possible.

2. Storage

- The storage of LED driver shall conform to the standard of Class I environment. When using LED drivers which have been stored for more than 6 months, please re-test them firstly. Do not use them unless they are tested to be qualified.

Cautions

- Please use Lifud LED driver according to its parameters in the specification, otherwise the LED driver may malfunction.
- Using any incompatible light fixtures or those that have not been certified may cause fire, explosion or other risks.
- Man-made damage is beyond the scope of Lifud warranty service.

Remark: Lifud Technology Co., Ltd. reserves the right to interpret any contents of this specification.