

依本立卷轴产品目录

环卫清洗 | 化学品输送 | 移动供电 | 食品输送 | 真空吸排 |
气焊电焊 | 液压工具 | 油料输送 | 消防救援 | 工程机械 | 静电防护 | 铁路交通

COMPANY PROFILE

企业简介

宁波依本立流体装备制造有限公司

依本立流体是一家专注于流体装备研发、制造、生产、销售创新型公司。致力于为商业合作伙伴提供从概念设计到终端产品的整体技术解决方案与过程技术支持服务。

Ebenalp相信品质与工业艺术的完美结合，方能创造与众不同的价值感和用户体验。我们为用户提供最安全可靠、品质优良的工程装备类产品与技术服务，践行正确的社会价值导向。

Ebenalp卷管器设计理念先进、制造工艺精湛，外形美观，持久耐用。独具创新的专利技术，使产品在使用中真正给用户带来便捷，提高工作效率。Ebenalp卷管产品品类齐全，包括由弹簧驱动、液压驱动、电机驱动和手摇回卷的各种类型卷盘。产品应用涵盖高压清洗、消防灭火、抢险救援、市政环卫、工厂车间、机场铁路、油料输送、工程机械等各种场合。

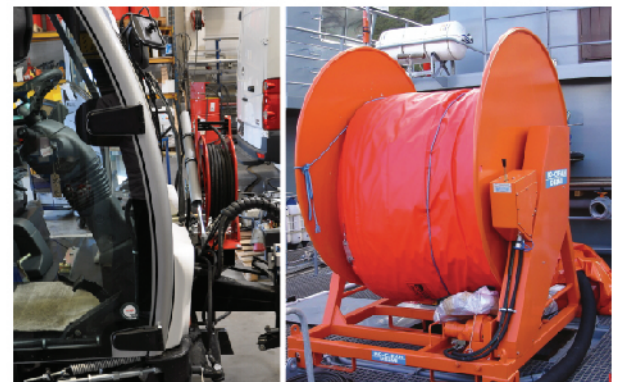
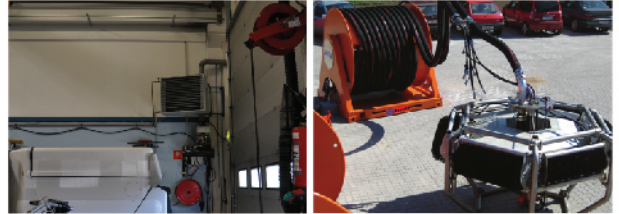
Ebenalp愿意为广大用户提供量身定制的个性化产品。我们愿与您一起成长，成为您事业成功最亲密合作的伙伴！

Ebenalp Mobile Hydraulic is innovative company specialized in research and development, manufacturing, production and sales of mobile hydraulic equipment, dedicated to providing integrated technology resolution from concept to design and process technology support to commercial partners.

Ebenalp believes that only the perfect combination of quality and industrial art can create unique values and customer experience. We only offer the society with safe, reliable, high quality engineering equipments products and technology service, implement correct social value direction.

Ebenalp hose reel has advanced design concept, delicate manufacturing process, elegant outside appearance and is durable. Unique and innovative patent technology enables the product to bring true convenient to customers in use and improves work efficiency. Winder from Ebenalp is in variety, including all kinds of winders powered by spring, hydraulic, motor and hand-cranking type. Products is applied in a variety of occasions like high-pressure cleaning, fire-fighting, emergency rescue, municipal environmental sanitation, workshop, railsa and airports station, oil transportation, engineering and machinery.

Ebenalp would like to provide customers with tailored products. We wish to grow with you and be the closest partner of you.



CONTENTS

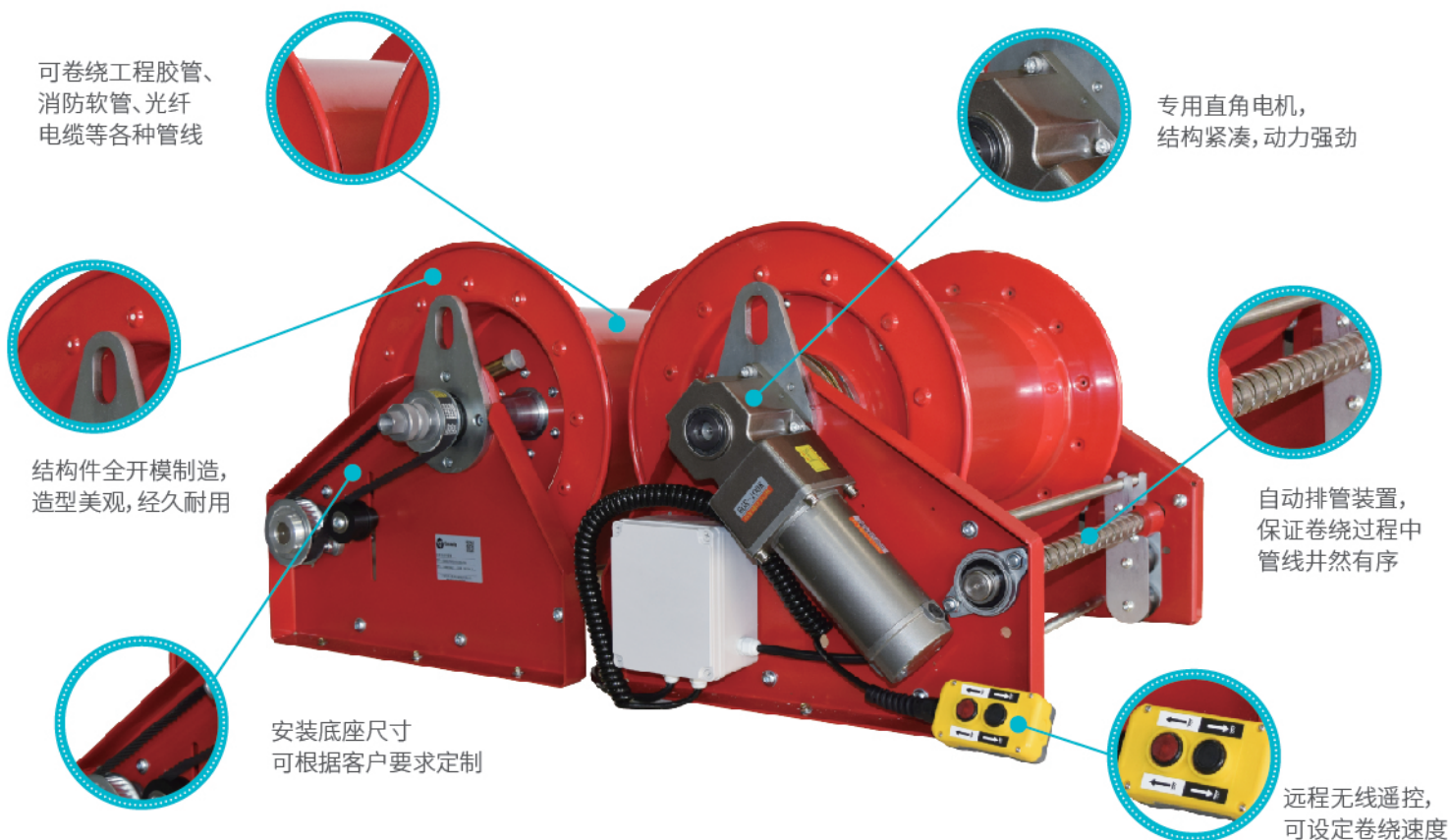
目录

◆ EBENALP REEL PRODUCT INTRODUCTION 产品介绍	01
◆ EXAMPLES FOR PRODUCT CODE OF REEL 卷盘型号代码解释	02
◆ CABLE REEL (ELECTRIC) Ebenalp 电动遥控线缆卷线器	03/04
◆ FUEL DELIVER REEL (ELECTRIC) Ebenalp 不锈钢电动遥控加油卷管器	05/06
◆ FOOD HOSE REEL (AUTOMATIC) Ebenalp 食品级不锈钢卷管器	07/08
◆ CLEANING HOSE REEL (MANUAL) Ebenalp 手摇高压清洗卷管小车	09/10
◆ ELECTROSTATIC DISCHARGE REEL (AUTOMATIC) Ebenalp 不锈钢防静电卷线器	11/12
◆ FIRE HOSE REEL (ELECTRIC) Ebenalp 消防软管卷盘	13/14
◆ JUMBO RIG REEL (AUTOMATIC) Ebenalp 台车钻机管线卷盘	15/16
◆ WIRE REEL (AUTOMATIC) Ebenalp 自动回收电缆卷线器	17/18
◆ WELDING HOSE REEL (AUTOMATIC) Ebenalp 自动回收焊接卷管器	19/20
◆ RAILWAY BLOW-OFF REEL (AUTOMATIC) Ebenalp 大通径铁路排污卷管器	21/22
◆ VEHICAL REEL (AUTOMATIC) Ebenalp 车载软管自动回收器	23/24
◆ SERVO CONTROL REEL (ELECTRIC) Ebenalp 光纤伺服控制随动卷绕装置	25/26

Ebenalp Reel

Product introduction

产品介绍



为何选择使用我们的产品



◆ 改善环境
结束现场软管杂乱无章的状态
Improve environment
Terminate on-site flexible hose to say good bye to disordered situation



◆ 减少磨损
软管卷绕在卷管理上可以延长软管使用寿命
Reduce wear
Rolling hoses onto hose reel will significantly increase service life



◆ 提高效率
可以收放自如地控制软管
Efficient
winding and unwinding frdly to control flexible hose



◆ 节省空间
使用卷盘可大大节省空间
Save space
Hose reel will help you save space

Examples for Product code of reel

卷盘型号代码解释

◆ EB460

卷盘系列

EF/EB(卷盘盘径如:180/300/460/630/800/1000)

例如:EF-300系列 EB-460系列

◆ SRSH

前置与功能描述

SR:弹簧驱动 EPR:电机驱动 HPR:液压驱动

PPR:气动驱动 MR:手摇 SH:单管 DH:双管 MH:多管

TH:焊管/并联管 SC:单根电缆 B:工程往复臂架式卷盘

F:大型框架手携装类卷盘 GR:防静电卷盘

CP:充电桩枪线卷盘 CUST:按需求定制型卷盘

ATT:加油车卷盘

例如:EF-460SRTH:依本立蜂系列460弹簧驱动式氧气乙炔并联软管卷盘

◆ 020

卷绕长度 如:020:20m 150:150m

◆ S

支撑方式 D:双支撑 S:单支撑

◆ 06

软管通径

06:1-4" 08:5/16" 10:3/8" 13:1/2" 19:3/4" 25:1"

32:1-1/4" 40:1-1/2" 51:2" 65:2-1/2"

电缆线芯数 01:单芯电缆

◆ CSS

材质分类

CC:碳钢结构件+碳钢流道

CS:碳钢结构件+304不锈钢材质流道

CSS:碳钢结构件+316不锈钢材质流道

CU:碳钢结构件+黄铜材质流道

SS:全304不锈钢材质

SSS:304不锈钢材质+316不锈钢材质流道

SSSS:全316不锈钢材质

AAS:铝合金结构材+304不锈钢材质流道

◆ 018

工作压力 单根线的平方线

016:1.6Mpa 420:42Mpa 015:1.5mm² 50:50mm²

◆ HPW

特殊介质另行说明

TW:自来水 HPW:高压水 AH:耐酸

HO:液压油OG:油脂D:柴油 FG:食品级

AR:耐碱性 O:其它 CA:压缩空气

◆ EB460

series attribute:EF/EB(the similar diameter of the reel .For

example:180/300/460/630/800/1000)

Fof example:EF-300/ EB-460

◆ SRSH

Lead and functional description

SR:spring rewind EPR:electrical power rewind

HPR:hydraulic power rewind PPR:pneumatic power rewind

MR>manual rewind SH:single hose DH:dual hose

MH:More than two hoses TH:twin hose SC:single cable

B:boom reel F:frame reel GR:grounding reel

CP:Charging pile CUST:custom engineering reel

ATT:Tanker reel

For example:

EF-460SRTH: spring rewind twin-hose reel

◆ 020

length attribute For example:020:20m 150:150m

◆ S

support form D:double support S:single support

◆ 06

DN attribute

06:1-4" 08:5/16" 10:3/8" 13:1/2" 19:3/4" 25:1"

32:1-1/4" 40:1-1/2" 51:2" 65:2-1/2"

Core number of cable 01:single core cable

◆ CSS

material attribute

CC:carbon steel with carbon steel flow lass

CS: carbon steel with SUS304 flow lass

CSS: carbon steel with SUS316 flow lass

CU: carbon steel with brass flow lass

SS:all SUS304

SSS:SS304 with SUS316 flow pass

SSSS:all SUS316

AAS: Aluminum alloy with SUS304 flow pass

◆ 018

stress attribute diameter of single wire

016:1.6Mpa 420:42Mpa 015:1.5mm² 50:50mm²

◆ HPW

Hose medium

TW: Tap water HPW: High pressure water AH: Acid hose

HO: The hydraulic oil OG: Oil and grease D: diesel

FG:Food grade AR: Alkali resistant O: other

CA: compressed air

CABLE REEL

(Electric)

▲ Ebenalp 电动遥控线缆卷线器

Ebenalp electric remote control cable reel is specially designed for the automatically retractable cables.

The use of the product can remotely control the retractable cables, thus to improve work efficiency and ensure the site to be in order. It's suitable for all kinds of occasions need to retract the cables.

Characteristic:

- ◆ It's driven by using a right-angle motor, and the product structure is simple with compact size.
- ◆ Use of flexible cable suitable for winding to extend service life.
- ◆ It's retractable through the remote control, thus to achieve real-time lock.
- ◆ Rotary bracket and the outlet with adjustable multi-position make the installation and use to be simple and quick.
- ◆ Built-in electrical slip ring can achieve the retractable cables with electricity.

Ebenalp 电动遥控线缆卷线器专为自动收放线缆设计。

使用该产品可以远程遥控收放线缆,提高工作效率,保证现场井然有序。

适合各种需要收放线缆的场合使用。

特性:

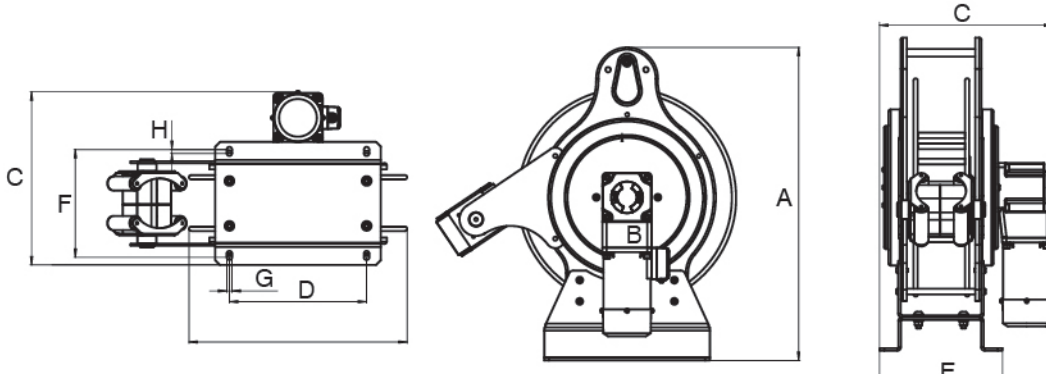
- ◆ 采用直角电机驱动,产品结构简单,尺寸紧凑。
- ◆ 选用适合卷绕的柔性线缆,延长使用寿命。
- ◆ 远程遥控收放,实时锁止。
- ◆ 旋转支架和多位置可调的出管口,令安装和使用简便快捷。
- ◆ 内装电滑环,可实现带电收放线缆。



卷管器带电缆

产品尺寸

型号	A	B	C	D	E	F	G	H
EB460EPRSC	662	550	366	290	260	228	∅11	8



安装底板尺寸
 可根据客户要求定制

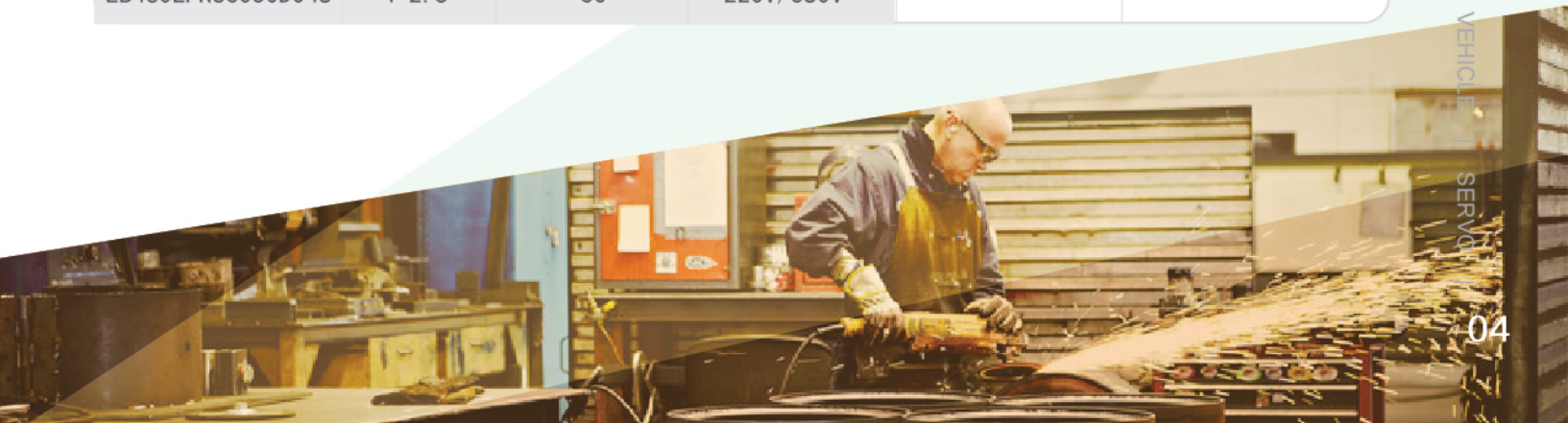
产品规格

型号	重量 (kg)	包装尺寸 (mm)	包装容量 (pcs)
不含线缆			
EB460EPRSC040D03	35	550*250*600	1
EB460EPRSC030D04	35	550*250*600	1
含线缆			
EB460EPRSC040D03	43	550*250*600	1
EB460EPRSC030D04	40	550*250*600	1



产品参数

产品型号 (CODE)	电缆规格	电缆长度 (米)	驱动电压 (V)	遥控距离	收放速度
EB460EPRSC040D03	3*2.5	40	12V/24V/	60米	1-3m/s
EB460EPRSC030D048	4*2.5	30	220V/380V		



FUEL

DELIVER REEL

(ELECTRIC) ▲ Ebenalp 不锈钢电动遥控加油卷管器

Ebenalp stainless steel electric remote control refueling reel is the refueling hose electric retractable equipment with large diameter.

The equipment is designed in accordance with the military standard, which is made by using full 304 stainless steel.

It's most suitable for being used in refueling trucks, gas stations, airport ground and military refueling and other occasions.

Characteristic:

- ◆ The direction of the outlet nozzle can be adjusted freely for easy use, thereby reducing the friction to avoid hose from wear deformation.
- ◆ The retractable fuel hose is controlled by the remote control, and the tubing length can be locked on demand.
- ◆ The stop function prevents the reel from being stuck when the tubing is completely unwound.
- ◆ Corrosion-resistant: it's made of stainless steel, thus to prevent rust and anti-static.
- ◆ The diameter of refueling hose is 1 1/4", thus to ensure refueling efficiency.
- ◆ Dedicated fuel gun is with reliable performance.

Ebenalp 不锈钢电动遥控加油卷管器是一款大口径加油软管电动收放设备。

该设备按照军工标准设计,采用全304不锈钢制造。最适合加油车、加油站、机场地勤和军工加油等场合使用。

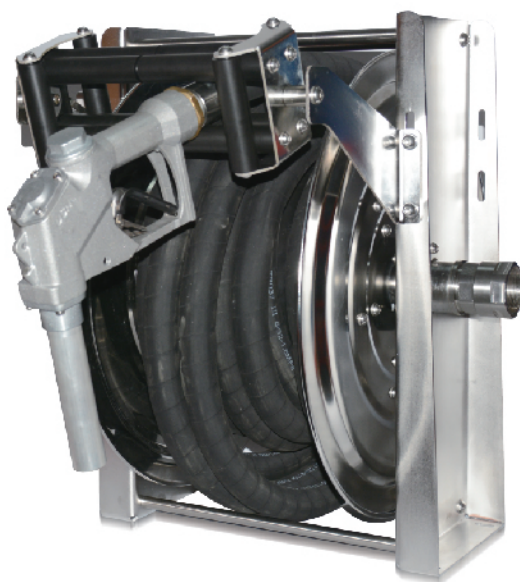
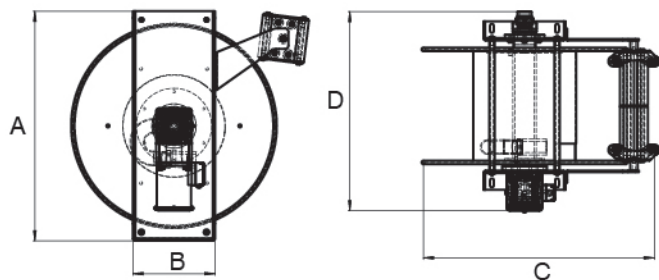
特性:

- ◆ 出管口方向可自由调节,方便使用,降低了摩擦力避免软管磨损变形。
- ◆ 加油软管收放遥控控制,油管长度可按需锁止。
- ◆ 止动功能可避免在油管完全松卷时的卷盘卡死。
- ◆ 耐腐蚀:不锈钢材质制造,杜绝生锈,防静电。
- ◆ 加油软管通径1 1/4",保证加油效率。
- ◆ 专用加油枪,性能可靠。



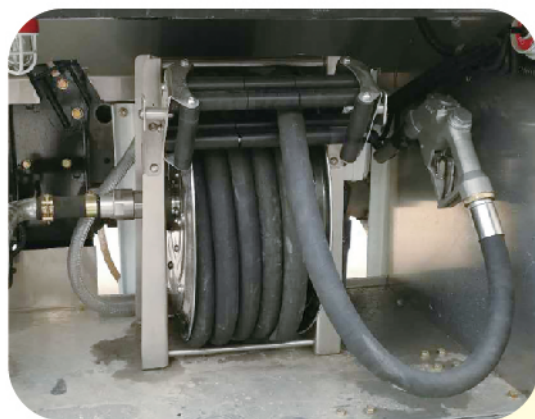
产品尺寸

型号	A	B	C	D
EB600EPRSH-SS	670	240	673.61	581.50



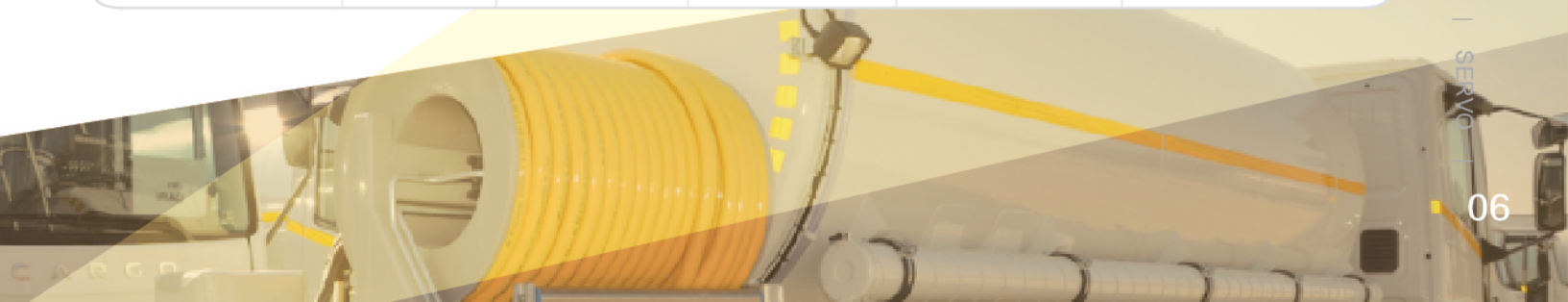
产品规格

型号	重量 (kg)	包装尺寸 (mm)	包装容量 (pcs)
不含软管			
EB600EPRSH015S25-SS	35	550*250*600	1
EB600EPRSH015S32-SS	35	550*250*600	1
含软管			
EB600EPRSH015S25-SS	50	550*250*600	1
EB600EPRSH015S32-SS	55	550*250*600	1



产品参数

产品型号 (CODE)	软管尺寸 (BSP)	软管长度 (米)	工作压力 (bar)	进液接口 (F M)	出水接口 (FM)
EB600EPRSH015D32	11/4	15	16	内螺纹G1	配加油枪



FOOD

HOSE REEL

(Automatic)  Ebenalp食品级不锈钢卷管器

Ebenalp food grade stainless steel automatic reel is designed and made in accordance with the operation at pressures up to 400 bars.

The equipment is manufactured according to the highest quality standard, and the raw materials selected are with high quality. It's most suitable for being used in food, medicine, chemical plants and marine ships and other occasions.

Characteristic:

- ◆ The roller mounted on the reel outlet is convenient for retractable operation, thus to avoid friction and reduce hose from wear deformation.
- ◆ Tubing length can be locked on demand.
- ◆ The stop function prevents the reel from being stuck when the tubing is completely unwound.
- ◆ Corrosion-resistant: It's made of food grade stainless steel, thus to put an end to rust.
- ◆ Rotary bracket and adjustable multi-position outlet make the installation and use to be simple and quick.
- ◆ Pipeline is with lock function.

Ebenalp食品级不锈钢自动卷管器是按照最高400bar的压力下运作而设计制造的。

设备是按照最高的质量标准制造, 选料上乘讲究。最适合食品、医药、化工厂和海洋船舶等场合使用。

特性:

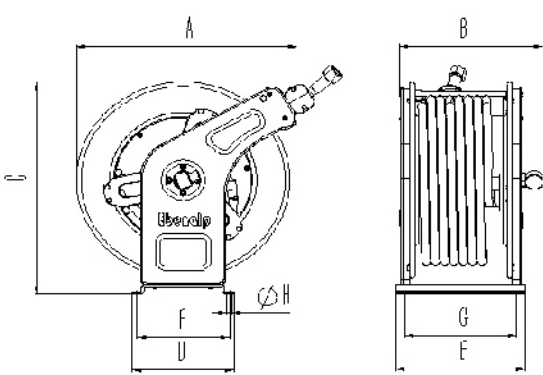
- ◆ 安装在卷盘出管口的滚柱便于软管收放操作, 避免了摩擦力并降低了软管变形磨损。
- ◆ 油管长度可按需锁止。
- ◆ 止动功能可避免在油管完全松卷时的卷盘卡死。
- ◆ 耐腐蚀: 食品级不锈钢材质制造, 杜绝生锈。
- ◆ 旋转支架和多位置可调的出管口, 令安装和使用简便快捷。
- ◆ 油管锁止功能。
- ◆ 油管收回弹簧。

卷管器带软管



产品尺寸

型号	A	B	C	D	E	F	G	H
EF460SRSH-SS	480	250	500	220	220	200	182	10.5



安装底板尺寸
可根据客户要求定制

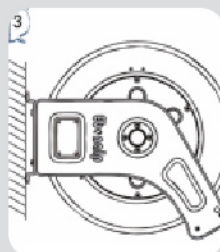


产品规格

型号	重量 (kg)	包装尺寸 (mm)	包装容量 (pcs)
不含软管			
EF460SRSH015S06-SS	25	550*250*600	1
EF460SRSH015S08-SS	25	550*250*600	1
含软管			
EF460SRSH015S06-SS	30	550*250*600	1
EF460SRSH015S08-SS	32	550*250*600	1

安装方式 Kinds of installations

- 1、顶面安装
Roof installation
- 2、地面安装
Ground installation
- 3、墙面安装
Wall installation



产品参数

产品型号 (CODE)	软管尺寸 (BSP)	软管长度 (米)	工作压力 (bar)	进水接口 (M)	出水接口 (FM)
EF460SRSH015S06	3/8	15	400	外螺纹 M22*1.5H	内螺纹 M22*1.5H
EF460SRSH015S08	1/2	15	350		
EF460SRSH020S06	3/8	20	400		
EF460SRSH020S08	1/2	20	350		

CLEANING HOSE REEL

(Manual)

▲ Ebealp手摇高压清洗卷管小车

Ebealp hand-made high-pressure cleaning reel is the reel equipment designed for cleaning with industrial movable high-pressure water.

The main body of the equipment is made with modeling, which is solid, and easy to use.

It's most suitable for factory cleaning, municipal sanitation and other occasions.

Characteristic:

- ◆ Excellent material spare parts are selected for use to ensure product life.
- ◆ Import rotary handle, the operator uses with a good experience.
- ◆ Reel is designed with a hose tension function, thus to ensure that the hose will not be scattered during the use.
- ◆ Imported high pressure hose, which is dedicated for high pressure water supply.

Ebealp手摇高压清洗卷管小车是一款为工业移动高压水清洗设计的卷管设备。该设备主体开模制造,做工扎实,使用便捷。最适合工厂清洗、市政环卫等场合使用。

特性:

- ◆ 材料零配件选用精良,保证产品寿命。
- ◆ 进口旋转手柄,操作人员使用体验良好。
- ◆ 卷盘设计有软管涨紧功能,保证使用过程中软管不会散乱。
- ◆ 进口高压软管,高压通水专用。



卷管器带软管

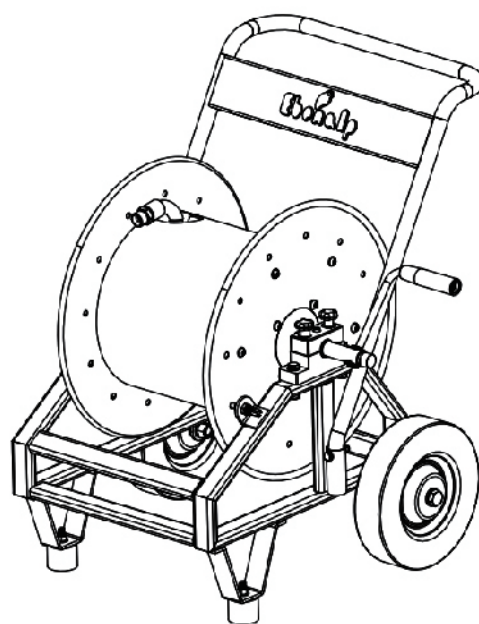
产品尺寸

型号	A	B	C	D	E	F	G	H
EB480MRSH050	723	616	765	∅480	426	310	G1/2	定位装置



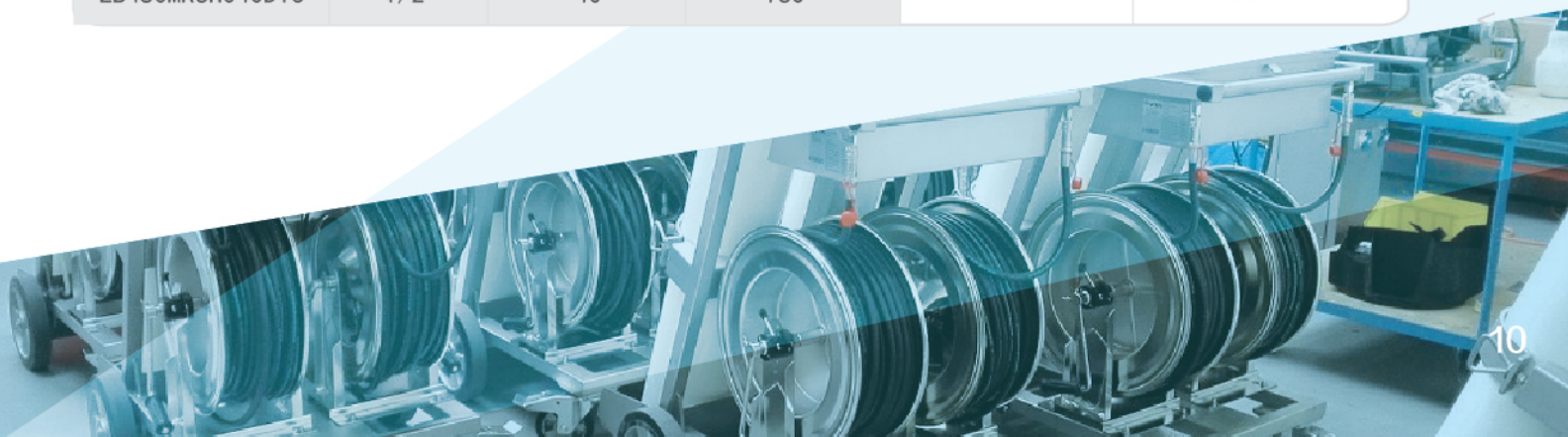
产品规格

型号	重量 (kg)	包装尺寸 (mm)	包装容量 (pcs)
不含软管			
EB480MRSH050D10	35	800*750*850	1
EB480MRSH040D13	35	800*750*850	1
含软管			
EB480MRSH050D10	50	800*750*850	1
EB480MRSH040D13	50	800*750*850	1



产品参数

产品型号 (CODE)	软管尺寸 (BSP)	软管长度 (米)	工作压力 (bar)	进水接口 (FM)	出水接口 (FM)
EB480MRSH050D10	3/8	50	200	内螺纹G1/2	内螺纹 M22*1.5H
EB480MRSH040D13	1/2	40	160		



ELECTROSTATIC DISCHARGE REEL (AUTOMATIC) Ebenalp不锈钢防静电卷线器

Ebenalp stainless steel electrostatic reel is anti-static standardized product specially designed for oil storage, loading and unloading occasions, which can conduct the static electricity generated from the liquid storage for transshipment into the earth.

Products are made in accordance with the highest quality standards, the best materials are chosen for manufacturing. It's most suitable for oil and gas storage tanks, gas stations, chemical plants and paint plants and other occasions need to prevent static electricity.

Characteristic:

- ◆ The static electricity discharge belt can be automatically retaken at uniform speed, and it can also be located at any position in the process of stretching, thus to greatly facilitate the operation.
- ◆ Product shell is with stainless steel, which is delicate and beautiful with strong moisture corrosion resistance.
- ◆ It can automatically detect the ground condition. When the ground is bad or disconnected, then the sound alarms to ensure the safety of production operations.
- ◆ It's designed with coil spring waterproof structure to extend product life.

Ebenalp不锈钢防静电卷线器是专门为油品存储和装卸场合设计的防静电标准化产品,能将液体存储转运过程中产生的静电导入大地。

产品按照最高质量标准制造,选料上乘讲究。最适合油气储罐、加油站、化工厂和油漆厂等需要防静电的场合使用。

特性:

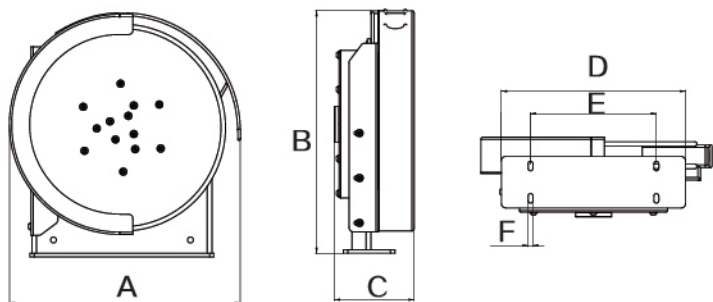
- ◆ 防静电带可以自动匀速收回,还可以在拉伸过程中任意位置定位,极大的方便了操作。
- ◆ 产品外壳采用不锈钢材质,精巧美观,防潮耐腐蚀性强。
- ◆ 能够全程自动检测接地状况。当接地不良或断开时,声音报警,以确保生产作业安全。
- ◆ 设计有卷簧腔防水结构,延长产品使用寿命。



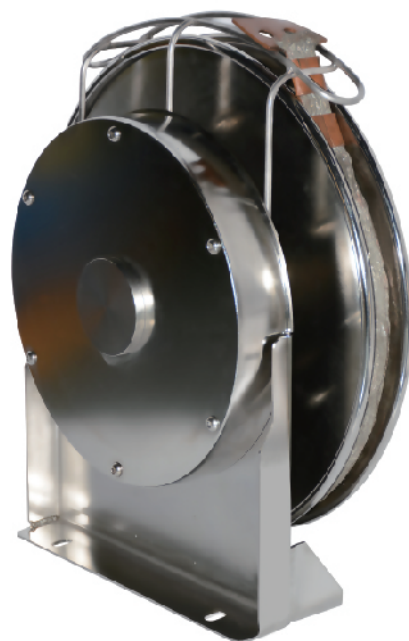
卷线器带铜编织带

产品尺寸

型号	A	B	C	D	E	F
EB460SRGR-SS	514	540	177	410	280	∅11



安装底板尺寸可根据客户要求定制



产品规格

型号	重量 (kg)	包装尺寸 (mm)	包装容量 (pcs)
不含铜编织带			
EB460SRGR-SS	20	550*220*600	1
含铜编织带			
EB460SRGR-SS	32	550*220*600	1



产品参数

产品型号 (CODE)	导通电流	线缆长度 (米)	描述
EB460SRGR023D01SS	300AMP	23	采用优质圆铜单股或多股变成成铜带或线缆

FIRE

HOSE REEL

(ELECTRIC)  Ebenalp消防软管卷盘

Ebenalp electric remote control fire hose reel is specially designed for fast retractable fire hose.

The use of the product can remotely control the retractable hose, thus to improve work efficiency, and ensure that the site is in order to quickly put out the fire.

It's suitable for all occasions need to rescue.

Characteristic:

- ◆ It's driven by using right-angle motor, and the product structure is simple with compact size.
- ◆ Use of flexible cable suitable for winding to extend service life.
- ◆ It's retractable through the remote control, thus to realize real-time lock.
- ◆ Reeling speed can be set to meet all needs.
- ◆ It's designed with hose sorting device to ensure efficient recovery of the hose.

Ebenalp电动遥控消防软管卷盘专为快速收放消防软管设计。

使用该产品可以远程遥控收放软管,提高工作效率,保证现场井然有序,快速扑灭火灾。

适合各种需要抢险救援的场合使用。

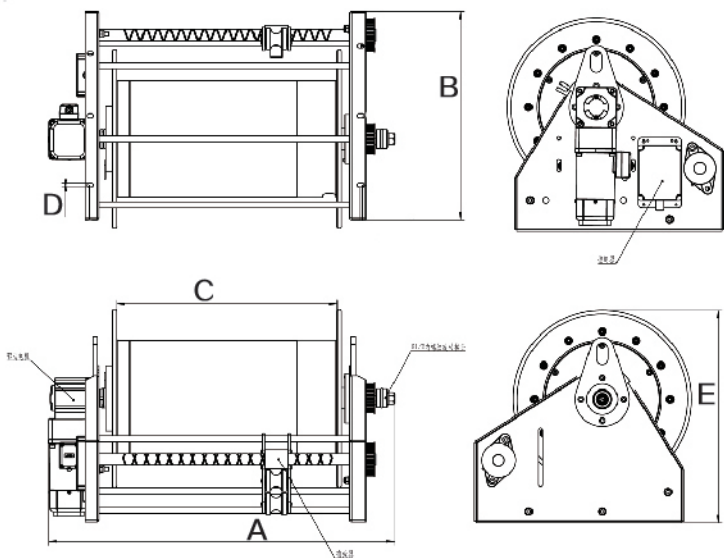
特性:

- ◆ 采用直角电机驱动,产品结构简单,尺寸紧凑。
- ◆ 选用适合卷绕的柔性消防软管,延长使用寿命。
- ◆ 远程遥控收放,实时锁止。
- ◆ 卷绕速度可设置,满足各种需求。
- ◆ 设计有软管排序装置,保证软管有序回收。



产品尺寸

型号	A	B	C	D	E
EB460EPRSH	893.4	540	570	∅11	550.5



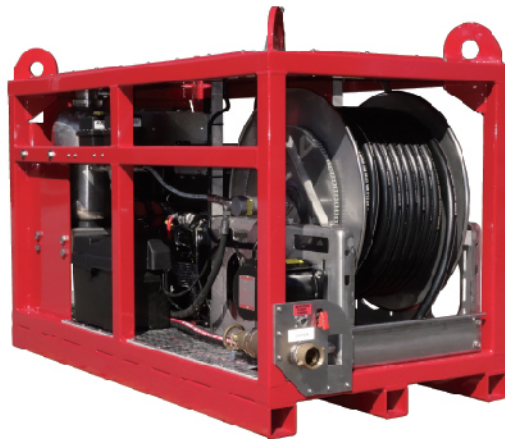
安装底板尺寸 可根据客户要求定制

产品规格

型号	重量 (kg)	包装尺寸 (mm)	包装容量 (pcs)
不含软管			
EB460EPRSH070D10	60	1000*650*600	1
EB460EPRSH050D13	60	1000*650*600	1
含软管			
EB460EPRSH070D10	85	1000*650*600	1
EB460EPRSH050D13	80	1000*650*600	1

产品参数

产品型号 (CODE)	软管规格 (BSP)	电缆长度 (米)	驱动电压 (V)	遥控距离	收放速度
EB460EPRSH070D10	3/8	70	12V/24V/	60米	2-3米/秒
EB460EPRSH050D13	1/2	50	220V/380V		



JUMBO RIG REEL

(AUTOMATIC) ▲ Ebenalp台车钻机管线卷盘

Ebenalp trolley drill pipe reel is specially designed for trolley drill cable, water vapor tube retraction.

The use of the product can make the pipeline retract according to required speed, thus to improve work efficiency, and ensure the site to be in order, thereby extending the service life of the pipeline.

All mine pipelines are produced in accordance with relevant standards.

Characteristic:

- ◆ It's driven by using hydraulic motor or permanent magnet coupler without any electrical components. It's safe and reliable.
- ◆ Pipeline tension size is adjustable, which is to protect the pipeline.
- ◆ Automatic control of pipeline retracting speed to meet the needs of equipment.

Ebenalp台车钻机管线卷盘专为台车钻机电缆、水气管收放设计。

使用该产品可以使管线按照需要的速度收放,提高工作效率,保证现场井然有序,延长管线的使用寿命。所有矿用管线均按相关标准资质生产。

特性:

- ◆ 采用液压马达或永磁耦合器驱动,无电气元件。安全可靠。
- ◆ 管线张力大小可调,保护管线。
- ◆ 管线收放速度自动控制,保证满足设备需求。



卷管器带软管

产品尺寸

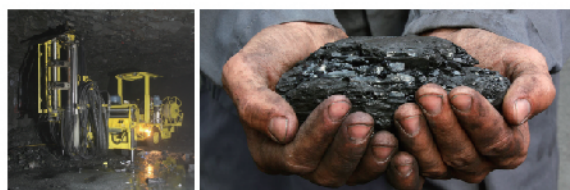
型号	A	B	C	D
EB460EPRSH	∅630	242.40	160	100

安装底板尺寸可根据客户要求定制



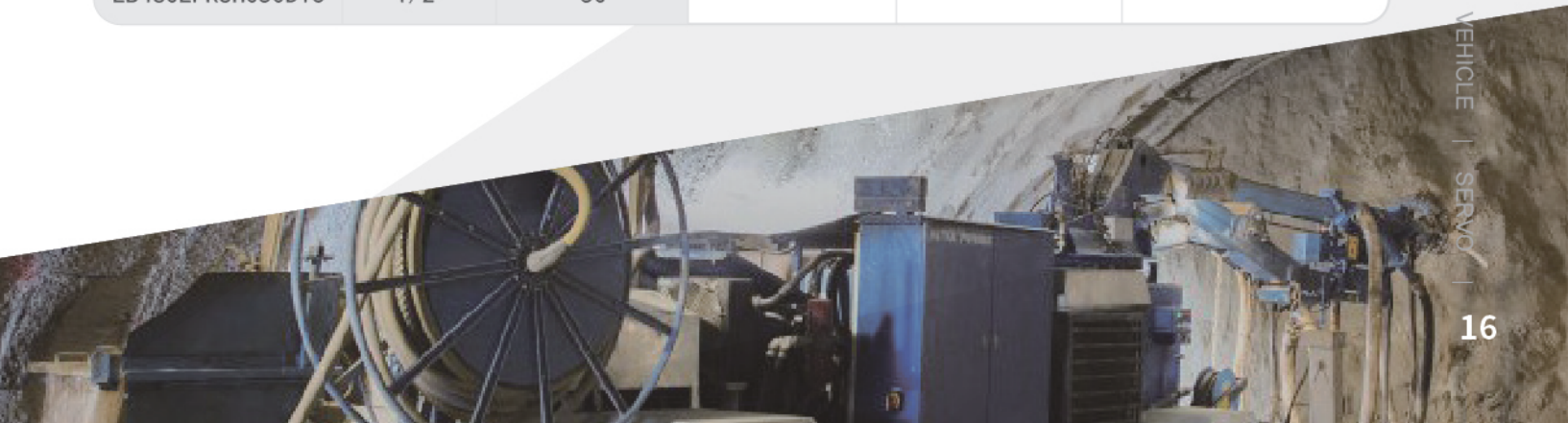
产品规格

型号	重量 (kg)	包装尺寸 (mm)	包装容量 (pcs)
不含软管			
EB460EPRSH070D10	60	1000*650*600	1
EB460EPRSH050D13	60	1000*650*600	1
含软管			
EB460EPRSH070D10	85	1000*650*600	1
EB460EPRSH050D13	80	1000*650*600	1



产品参数

产品型号 (CODE)	软管规格 (BSP)	电缆长度 (米)	驱动电压 (V)	遥控距离	收放速度
EB460EPRSH070D10	3/8	70	12V/24V/ 220V/380V	60米	2-3米/秒
EB460EPRSH050D13	1/2	50			



WIRE

REEL

(AUTOMATIC) Ebenalp自动回收电缆卷线器

Ebenalp automatically retractable cable reel is specially designed and manufactured for fast retracting wires and cables.

The equipment is manufactured according to the highest quality standard, the best raw materials are chosen for manufacturing.

It's most suitable for factory floor, test sites, construction machinery and marine vessels and other occasions.

Characteristic:

- ◆ The roller mounted on the reel outlet is convenient for the retractable operation of cables to avoid the friction and reduce the cable wear deformation.
- ◆ Cable length can be locked on demand.
- ◆ The stop function prevents the reel from being stuck when the cable is fully loose.
- ◆ Corrosion-resistant: the surface is with electrostatic spray treatment, thus to put an end to rust.
- ◆ Rotary bracket and adjustable multi-position outlet make the installation and use to be simple and quick.

Ebenalp自动回收电缆卷线器专门为快速收放电线电缆设计制造。

设备是按照最高的质量标准制造,选料上乘讲究。最适合工厂车间、实验场所、工程机械和海洋船舶等场合使用。

特性:

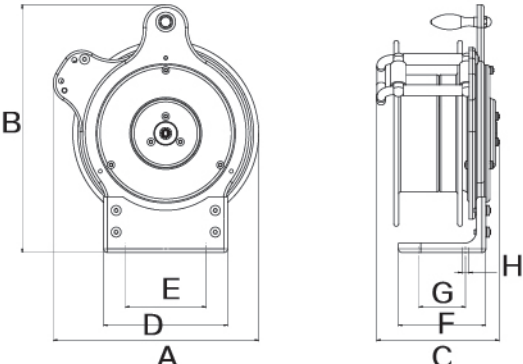
- ◆ 安装在卷盘出线口的滚柱便于线缆收放操作,避免了摩擦力并降低了线缆变形磨损。
- ◆ 线缆长度可按需锁止。
- ◆ 止动功能可避免在线缆完全松卷时的卷盘卡死。
- ◆ 耐腐蚀:表面静电喷塑处理,杜绝生锈。
- ◆ 旋转支架和多位置可调的出线口,令安装和使用简便快捷。



卷线器带充电桩线

产品尺寸

型号	A	B	C	D	E	F	G	H
EB300SRSC	331	401	197	200	130	141	75	∅11



安装底板尺寸
可根据客户要求定制



产品规格

型号	重量 (kg)	包装尺寸 (mm)	包装容量 (pcs)
不含电缆			
EB300SRSC020S02	15	400*250*450	1
含电缆			
EB300SRSC020S02	15	500*250*450	1



产品参数

产品型号 (CODE)	电缆规格	电缆长度 (米)	电缆接口
EB300SRSC020S01	2*3	20	防水插头
EB300SRSC010S04	4*4	10	

WELDING HOSE REEL

(Automatic)  Ebenalp自动回收焊接卷管器

Ebenalp automatic recovery welding reel is a product designed for industrial welding operations.

The use of the product can make the welding to be more professional, safer, and more efficient.

It's most suitable for factory welding, outdoor construction and other occasions.

Characteristic:

- ◆ The roller mounted on the reel outlet is easy to handle and retract the hose, thus to avoid the friction and reduces the hose deformation wear.
- ◆ The length of the welding pipeline can be locked on demand.
- ◆ The stop function prevents the reel from being stuck when the hose is fully loose.
- ◆ Rotary bracket and adjustable multi-position outlet make the installation and use to be simple and quick.
- ◆ Optional car is easy for movable construction operations.

Ebenalp自动回收焊接卷盘是一款为工业焊接作业设计的产品。

使用该产品可以使焊接时更专业,更安全,更有效率。最适合工厂焊接、户外施工等场合使用。

特性:

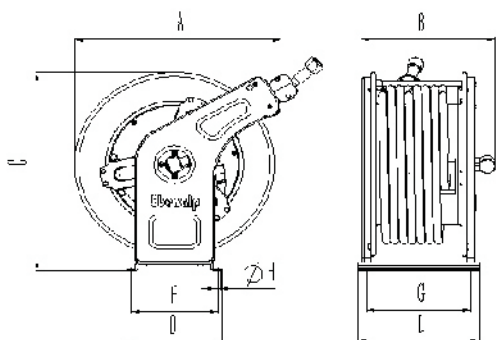
- ◆ 安装在卷盘出管口的滚柱便于软管收放操作,避免了摩擦力并降低了软管变形磨损。
- ◆ 焊接管线长度可按需锁止。
- ◆ 止动功能可避免在软管完全松卷时的卷盘卡死。
- ◆ 旋转支架和多位置可调的出管口,令安装和使用简便快捷。
- ◆ 可选配小车,方便移动施工作业。

卷管器带软管



产品尺寸

型号	A	B	C	D	E	F	G	H
EF460SRTH	480	250	500	220	220	200	182	10.5



安装底板尺寸
可根据客户要求定制



产品规格

型号	重量 (kg)	包装尺寸 (mm)	包装容量 (pcs)
不含软管			
EF460SRTH015D06	25	550*250*600	1
EF460SRTH015D08	25	550*250*600	1
含软管			
EF460SRTH015D06	30	550*250*600	1
EF460SRTH015D08	32	550*250*600	1



产品参数

产品型号 (CODE)	软管内径 (MM)	软管长度 (米)	工作压力 (bar)	进气口	出气口
EF460SRTH010D06	6	10	5	宝塔接头	配焊枪
EF460SRTH015D06	6	15	5		

RAILWAY

BLOW-OFF REEL

(AUTOMATIC)

▲ Ebenalp大通径铁路排污卷管器

Ebenalp railway discharge reel is large diameter automatically retractable discharge equipment.

The equipment is designed in accordance with the relevant industry standards, and is made with the use of high-quality steel. It's most suitable for high-speed railway station, urban sewage, airport ground and other occasions.

Characteristic:

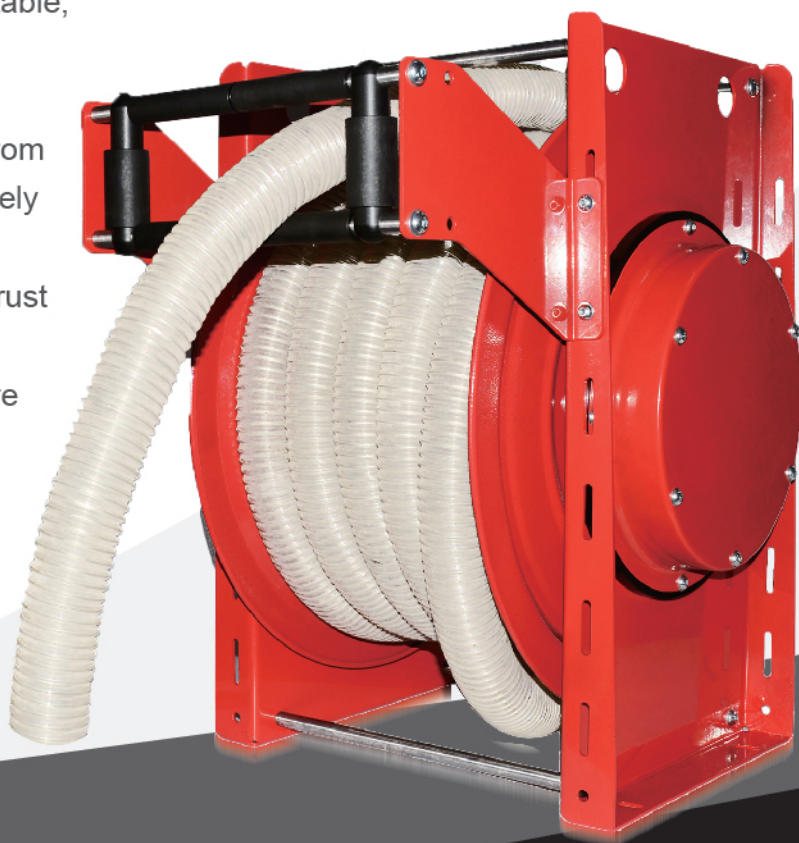
- ◆ The direction of the outlet can be adjusted freely, which is convenient for use, thereby reducing the friction to avoid hose wear deformation.
- ◆ Sewage hose is automatically retractable, and the hose length can be locked on demand.
- ◆ The stop function prevents the reel from being stuck when the tubing is completely unwound.
- ◆ Corrosion-resistant: it's with surface rust spray treatment.
- ◆ Sewage hose diameter is 2" to ensure efficiency.
- ◆ Dedicated sewage hose is with long service life.

Ebenalp铁路排污卷管器是一款大通径自动收放排污设备。

该设备按照行业标准设计,采用优质钢材制造。最适合高铁机站、城市排污、机场地勤等场合使用。

特性:

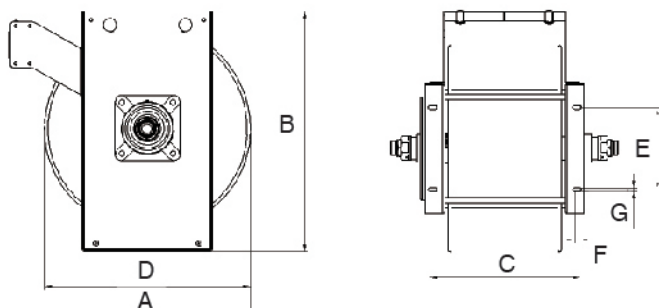
- ◆ 出管口方向可自由调节,方便使用,降低了摩擦力避免软管磨损变形。
- ◆ 排污软管自动收放,软管长度可按需锁止。
- ◆ 止动功能可避免在油管完全松卷时的卷盘卡死。
- ◆ 耐腐蚀:表面防锈喷塑处理。
- ◆ 排污软管通径2",保证效率。
- ◆ 专用排污软管,使用寿命长久。



卷管器带软管

产品尺寸

型号	A	B	C	D	E	F	G
EB700SRSH010D50	704	700	436	∅ 600	240	15	∅11



产品规格

型号	重量 (kg)	包装尺寸 (mm)	包装容量 (pcs)
不含软管			
EB700SRSH010D50	40	750*650*750	1
含软管			
EB700SRSH010D50	55	750*650*750	1



产品参数

产品型号 (CODE)	软管尺寸 (BSP)	软管长度 (米)	工作压力 (bar)	进液接口 (FM)	出液口
EB700SRSH010D50	2"	10	8	内螺纹G1 1/2	配2" 快换接头

VEHICAL REEL

(AUTOMATIC) Ebenalp车载软管自动回收器

Ebenalp vehicle pipeline automatic saver is specially designed and manufactured for the rapid retraction of vehicle hose and cables.

The equipment is manufactured according to the highest quality standards, the best raw materials are chosen for manufacturing. It's most suitable for the rescue vehicles, engineering vehicles, and supporting use of mobile equipment.

Characteristic:

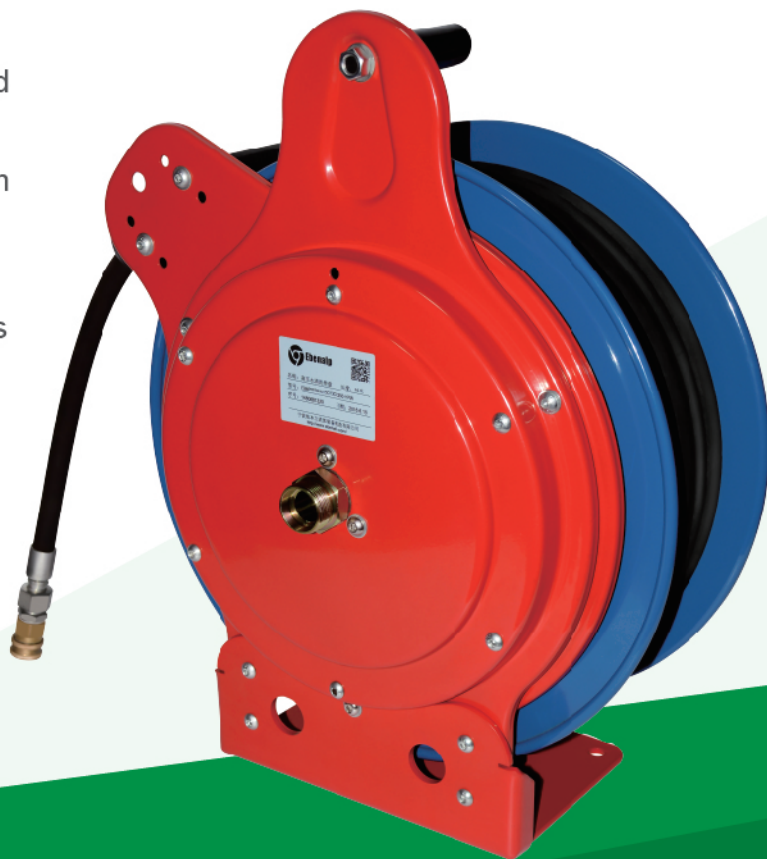
- ◆ The rollers mounted on the reel outlet are convenient for the retractable operation, which avoids friction and reduces the pipeline wear deformation.
- ◆ The length of the pipeline can be locked on demand.
- ◆ The stop function prevents the reel from being stuck when the pipe is fully loose.
- ◆ Corrosion-resistant: it's with stainless steel or electrostatic spray treatment, thus to put an end to rust.
- ◆ Rotary bracket and adjustable multi-position outlet make the installation and use to be simple and quick.

Ebenalp车载软管自动回收器专为车辆软管、线缆快速收放设计制造。

设备是按照最高的质量标准制造, 选料上乘讲究。最适合救援车辆、工程车辆、移动设备配套使用。

特性:

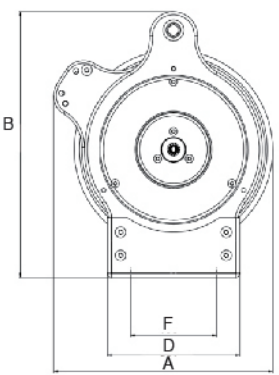

- ◆ 安装在卷盘出管口的滚柱便于软管收放操作, 避免了摩擦力并降低了软管变形磨损。
- ◆ 管线长度可按需锁止。
- ◆ 止动功能可避免在管线完全松卷时的卷盘卡死。
- ◆ 耐腐蚀: 不锈钢材质或静电喷塑处理, 杜绝生锈。
- ◆ 旋转支架和多位置可调的出管口, 令安装和使用简便快捷。



卷管器带软管

产品尺寸

型号	A	B	C	D	E	F	G	H
EB300SRSH	331	401	197	200	141	130	75	10.5

安装底板尺寸
可根据客户要求定制



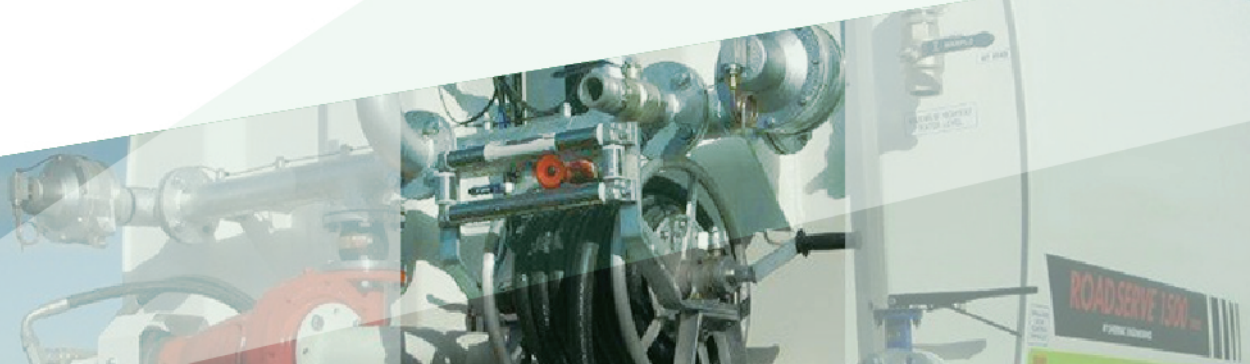
产品规格

型号	重量 (kg)	包装尺寸 (mm)	包装容量 (pcs)
不含软管			
EB300SRSH015D06	15	400*250*450	1
EB300SRSH010D10	15	400*250*450	1
含软管			
EB300SRSH015D06	18	500*250*450	1
EB300SRSH010D10	20	500*250*450	1



产品参数

产品型号 (CODE)	软管尺寸 (BSP)	软管长度 (米)	工作压力 (bar)	进液接口 (M)	出液接口 (FM)
EB300SRSH015D06	1/4	15	400	外螺纹 M18*1.5H	内螺纹 M18*1.5H
EB300SRSH010D10	3/8	10	330		



SERVO

CONTROL REEL

(Electric)

▲ Ebenalp 光纤伺服控制随动卷绕装置

Ebenalp fiber servo control follower winding device is the equipment that can receive the instructions in a long distance, with intelligent retractable ultra-long cables. The equipment can achieve the cable on-line retractable function, and it can receive and execute the instructions issued by the ground station, while giving feedbacks to the specified information to the ground station.

It's most suitable for military testing, laboratory testing, unmanned aerial vehicle control and other occasions.

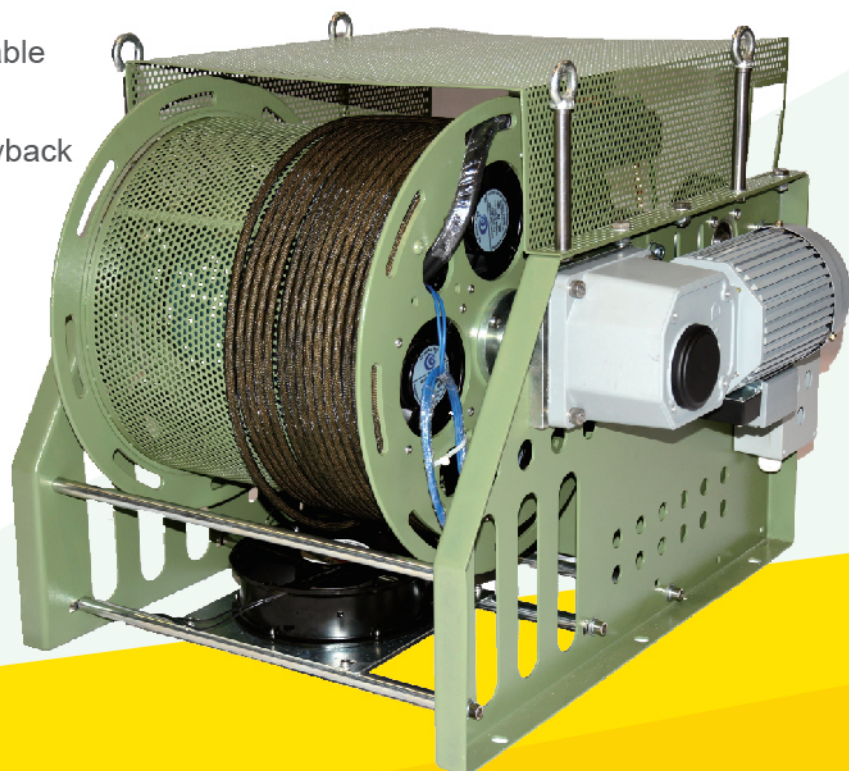
Characteristic:

- ◆ Cable retractable device adopts the closed-loop for control, and the retractable length can achieve real-time adjustment to ensure proper cable tightness.
- ◆ It's with electric and manual retractable switching function.
- ◆ It's with real-time recording and playback function.
- ◆ It's with automatic wiring function, thus to ensure the cable retraction to be in order.
- ◆ It's with cable cooling device and automatic locking function.

Ebenalp 光纤伺服控制随动卷绕装置是一款可远距离接收指令,智能收放超长光缆的设备。该设备可实现光缆在线收放功能,接收并执行地面站发出的指令,同时反馈指定信息到地面站。最适合军工测试、实验室测试、无人机控制等场合使用。

特性:

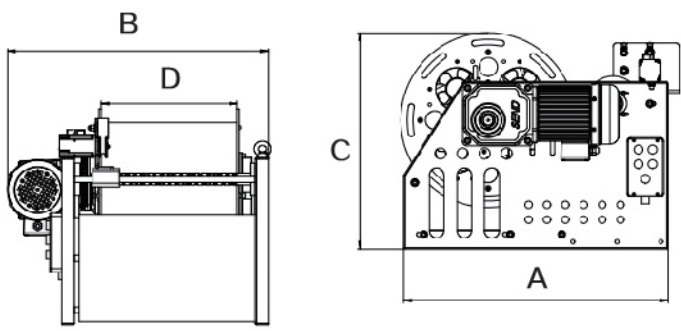
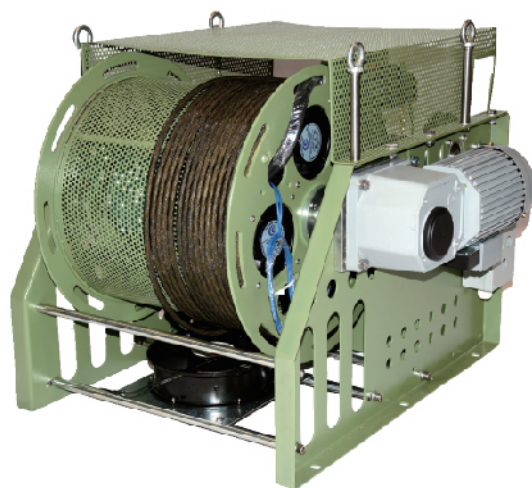
- ◆ 电缆收放装置采用闭环控制,收放长度可实现实时调整保证电缆松紧度合适。
- ◆ 具有电动手动收放切换功能。
- ◆ 具有收放长度实时记录功能。
- ◆ 具有自动布线功能,保证电缆有序收放。
- ◆ 具有电缆散热装置和自动锁止功能。



卷管器带光纤

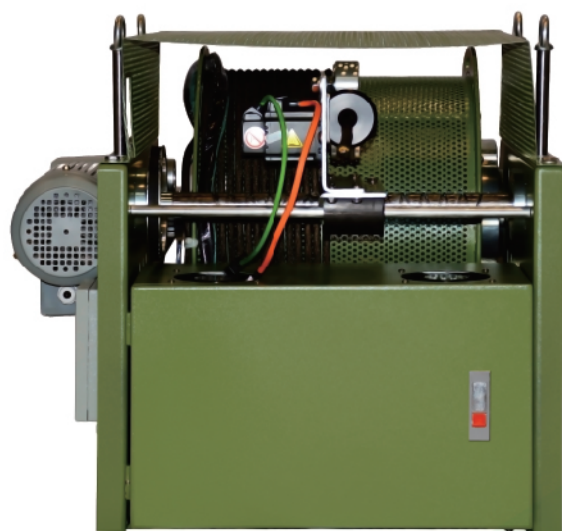
产品尺寸

型号	A	B	C	D
EB480EPRSC200D12-SS	720	710	588	370

产品规格

型号	重量 (kg)	包装尺寸 (mm)	包装容量 (pcs)
不含线缆			
EB480EPRSC200D12-SS	50	800*800*650	1
含线缆			
EB480EPRSC200D12-SS	50	800*800*650	1



产品参数

产品型号 (CODE)	线缆外径 (Max)	卷绕长度 (米)	承载拉力 (Max)	收放速度 (Max)
EB480EPRSC200D12	12mm	200	150NM	4m/s



可根据客户要求配套各种应用的管线, 满足不同场合需求。

				
<p>液压胶管 Hydraulic hose</p>	<p>压缩机软管 Compressor hose</p>	<p>特氟龙管 Teflon hose</p>	<p>光纤电缆 electric cable</p>	<p>消防水带 Fire hose</p>

各种规格连接方式可选

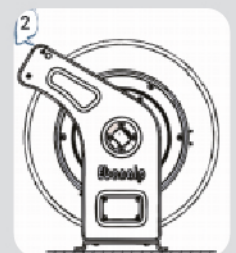
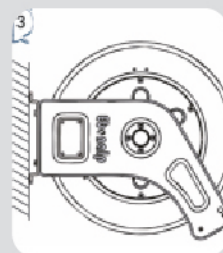
			
<p>24度锥O型圈密封接头 Seal joint with cone of 24 degree and O gasket</p>	<p>SAE法兰接头 SAE flanged joint</p>	<p>英制60度外锥接头 60 degree joint of British system external cone</p>	<p>美制37度扩口接头 American system 37 degree flaring joint</p>
ISO 12151-2-SWS-L	ISO 12151-3-S-L	BS5200-A	ISO 12151-5-S



每台出厂的产品都有唯一的二维码身份识别

安装方式
Kinds of installations

- 1、顶面安装
Roof Installation
- 2、地面安装
Ground installation
- 3、墙面安装
Wall installation



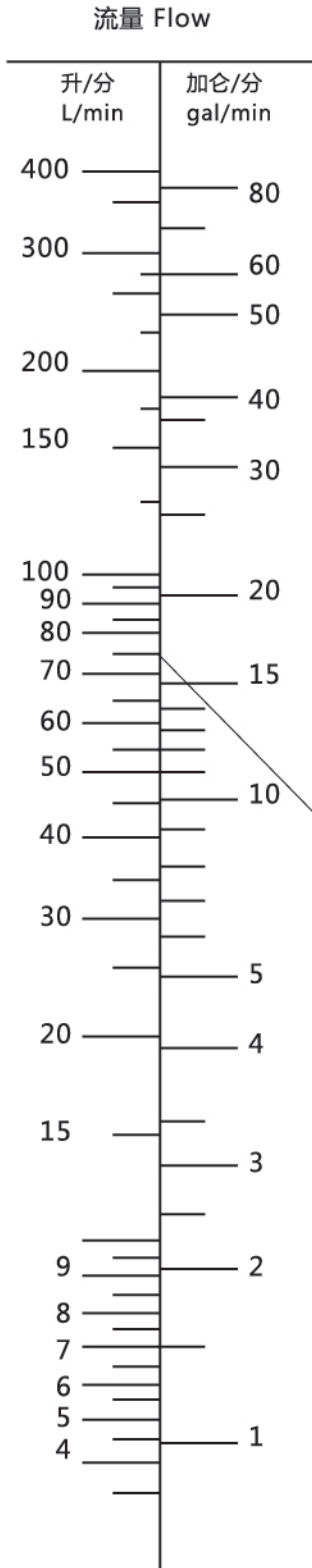
How to choose with

Right inside diameter

软管内径选择办法

B

总成



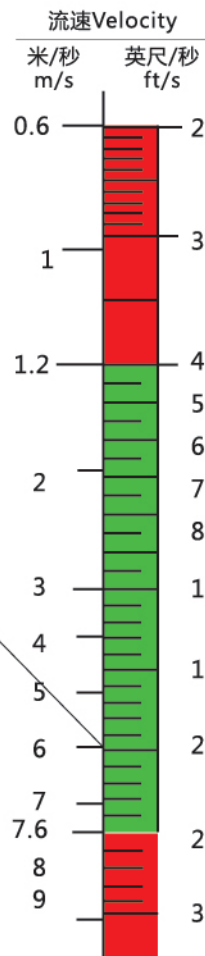
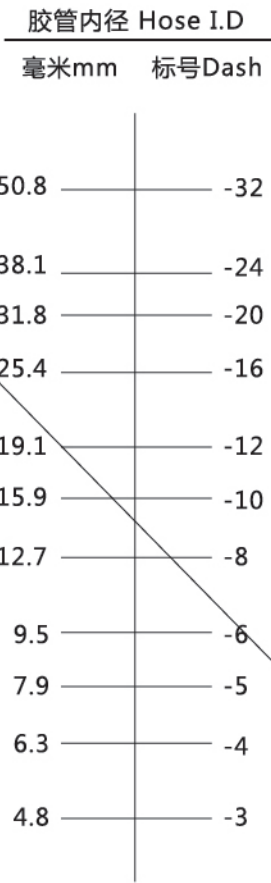
根据对于胶管的流量要求和流速要求,利用所示图表,可以迅速确定合适的胶管内径。
According to the request of the flow and velocity,we can ascertain the proper inside diameter of hose quickly with the following chart.

例:一根用于压力管路的胶管,要求通过的胶管的流量为72L/min,胶管内径应多大?
Example:How much will the inside diameter be if the flow of the hose is 70L/mm pressure line?

选择方法:在流量表上72L/min处取一点,在流速表的6.2米/秒处取一点,连接两点的直线通过胶管内径表的12.7~15.9mm之间。应选择15.9mm(即标号为10)。

Join the point of 72L/mm on the flow line and the point of 6.2m/s on the point where this straight line cross the inside diameter line is the cross the inside diameter,here is 15.9mm.

Recommended flow tolerate the hydrarlic oil whose maximum.



吸油管的
最大推荐流速
Maximum velocity recommended
for pressure line

回油管的
最大推荐流速
Maximum velocity recommended
for return line

压力油管的
最大推荐流速
Maximum velocity recommended
for high pressure line

推荐流速的使用条件为最大粘度为65 cSt(20 C时)的液压油
Recommended flow tolerate the hydrarlic oil whose maximum.



宁波依本立流体装备制造有限公司

地 址：浙江宁波象山滨海工业园沿区路1号

热线电话：400-8762-998

销售咨询：13185071445 15957433681

网 址：www.ebenalp.com

邮 箱：info@ebenalp.com

