

Revised in June,2016



Operation Manual

High Pressure Spring Hose Reel

EB300SRSH EB300MR EB460SRSH EB460MR



The company reserves the right for random changes and make unannounced notice !

“ Fold ,unfold and wind at ease”—— This is the latest high pressure spring hose reel released by Ebenalp.

It creatively designs the adjustable structure at exit hose, which facilitates installation on-site. We inherit the notion of providing the most enjoyable working process and extraordinary value of use... ..



Contents

1.Safety and Points for Attention.....	3
2.Overview.....	4
2.1 Introduction of EB series.....	4
2.2Technical parameters.....	4
2.3 Size descriptions.....	5
3.Installation instructions.....	6
3.1Free regulation structures of exit hose.....	6
3.2Installation Steps of hose reel	6
3.3Schematic diagram of overall installation.....	9
4.Recommended and forbidden transmission medium	10
4.1Common recommended transmission medium.....	10
4.2Common forbidden transmission medium	10
5.Operation Instructions.....	11
6.Malfunction elimination	12
6.1hose reel machine can't automatically rewind hose	12
6.2Soft pipe can't position after being pulled out.....	12
6.3During winding process, the winding drum of hose reel shakes significantly	12
7.Tool lists.....	13

1.Safety and Points for Attention

Ebenalp designs and provides the best quality hose reel products for clients in every area. Each series of hose reel has its own unique advantages and recommended application. As for unique advantages in different areas, Ebenalp specifies detailed safety instructions and regulations. To ensure the safety and reliability of hose reel products, working staff should strictly adheres to safety instructions and regulations provided by the manufacturer, so as to avoid accidents. The following regulations should be observed:

- 1) Before using, ensure that installation seat of hose reel has been fixed.
- 2)Before using, according to the chapter of “ Recommended and forbidden transmission medium” in 《Operation Manual》 , confirm whether medium is suitable for transmission.
- 3) Before using, ensure that all connectors have been tightened up.
- 4) According to the “ operation instructions ” in 《Operation Manual》 , conduct reasonable use.
- 5) Do not release the soft pipe while rewinding it.
- 6) Unauthorized maintenance personnel are forbidden to disassemble the hose reel.
- 7) According to the “ Malfunction elimination ” in 《Operation Manual》 , eliminate and remove malfunctions.

2. Overview

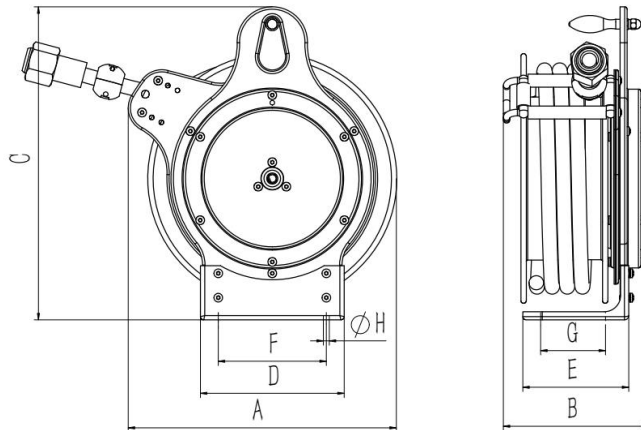
2.1 Introduction of EB series

① Areas of application: Ebenalp EB series of hose reel is a type of high tension spring hose reel, including EB300SRSH、EB460SRSH、EB300MR and EB460MR etc. EB460SRSH single bracing is applied in factory workshops, engineering machinery, oil transportation, spraying and rinsing, car maintenance, and 4S stores, which require transporting high pressure oil and high pressure water. Double bracing is more suitable for fire fighting trucks, relief vehicles, and agricultural equipment. Along with special high pressure water nozzles and high pressure gas fire nozzles, they can achieve flexible use. Carbon steel+stainless steel water shaft are applicable in washing environmental sanitation vehicles and drainage sewer. They are also applicable in oil transportation and high pressure water cleaning in aircraft ground services.

② Drive modes: driven by spring and rewinds automatically.

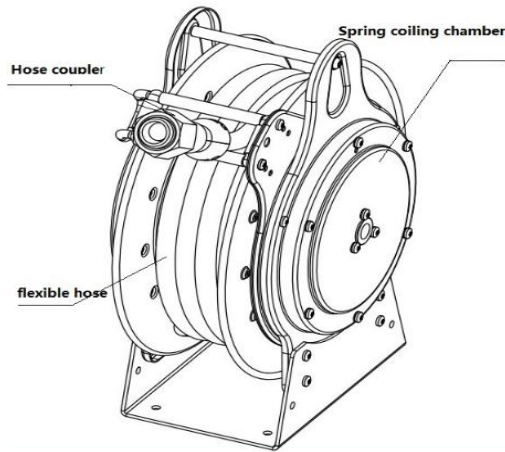
2.2 Technical parameters

① Basic parameters (EB series)

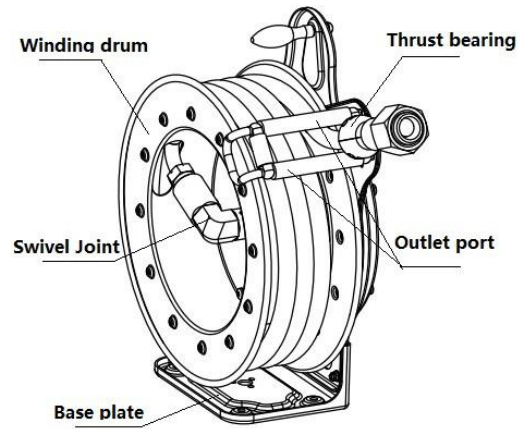


型号 Model Number	压力 (MPa) Work Pressure	管径 (mm) Hose ID.	长度 (m) Length	卷盘进口 Inlet Type	卷盘出口 Outlet Type	卷盘尺寸 Reel Dimensions (mm)							
						A	B	C	D	E	F	G	H
						Overall Dimensions			Base		Mounting Pattern		
EB300SRSH	42	10	10	M22*1.5	M22*1.5	340	162	401	200	141	130	75	11
EB300MR	42	10	10	M22*1.5	M22*1.5								
EB460SRSH	42	13	15	M22*1.5	M22*1.5	475	310	498	220	280	200	241	10.5
EB460MR	42	13	15	M22*1.5	M22*1.5								

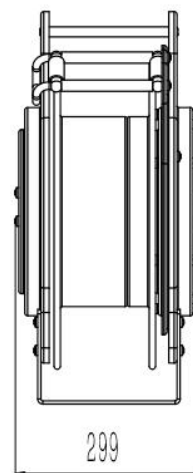
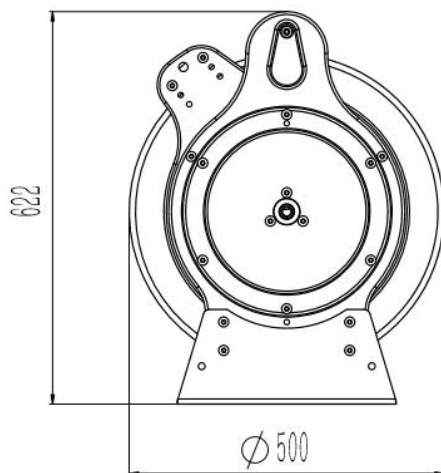
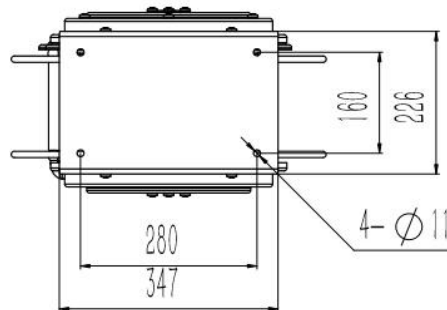
2.3
EB460SRSH
Parts and Size Description



EB460 double brace hose reel



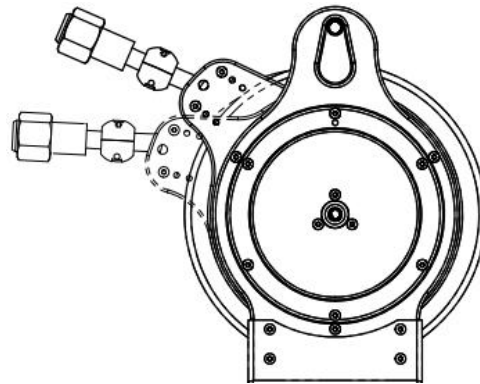
EB460 single brace hose reel



3. Installation Instructions

3.1 Outlet port freely regulating structure


The reel as shown for the EB series is the latest design which could adjust the outlet port structure freely, the structure could be made the reel outlet port stepless adjustable within a certain scope, greatly convenient the using on-site installation.










3.2 Flexible hose installation steps

EB series of reel is monolithic structure, each roll of reel already have been assembled according to the standard in the factory, and through the strict quality inspection, only need to fixed base plate before being used.

Installing flexible hose should be strictly carried out the following steps.

Item	Installation Steps	Installation Diagram
1	Using four sets screws to install the base plate, and fixing the reel pipe	

2	<p>According to direction of arrow to rotate pretension circles (need to consult to manufacturers to get the number of circle), and lock-up location.</p>	
3	<p>Put one joint of the flexible hose to through the middle of outlet port</p>	
4	<p>Put one joint of the flexible hose to get into winding drum, and connect with hose reel joint tightening.</p>	
5	<p>According to direction of arrow to loosen, and lock-up location and tighten the hose, lining up the hose on the winding drum slowly</p>	

6	Reserving about 0.6 meters of flexible hose, and lock-up location.	
7	Installing flexible hose spring coiling chamber as illustrated.	
8	Remove lock-up according the direction of diagram, and loosen hose, so it installed	

Notice:

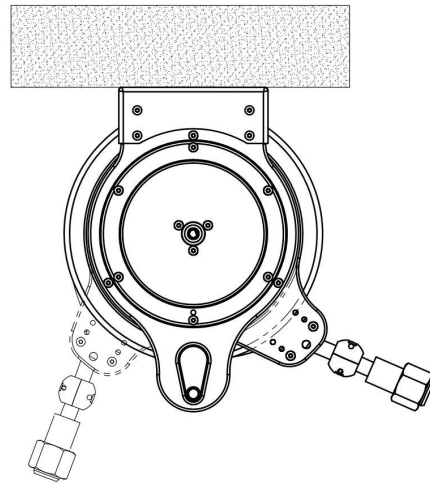
- 1.If the replacement hose is different from the original hose specification, please do not operate, and need to contact the manufacturer, it is strictly prohibited to self-replace ;
- 2.When replacing the hose, need two people, one for replacement, the other for their own protection;
3. EB series double brace hose reel installation: after removing the side panel can be reference to single brace hose reel after volume hose installation steps

3.3 Full installation schematic diagram

Ebenalp EB series of reel could be installed in all direction

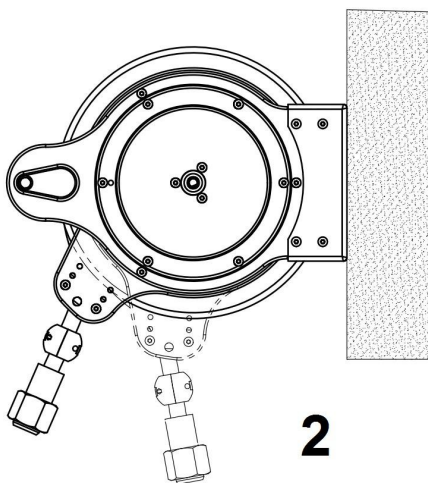
Picture 1 is ceiling installation

1

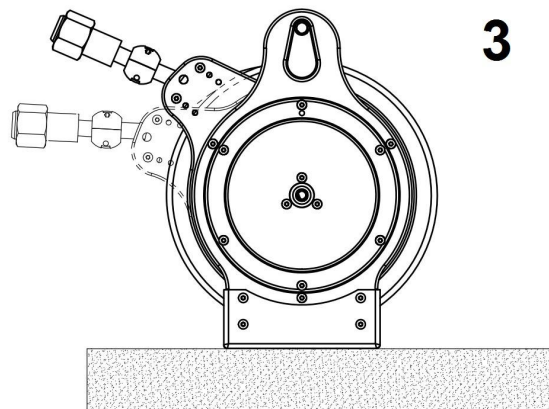


Picture 2 is side wall installation

Picture 3 is ground installation



2




3

4. Recommend and prohibited transmission medium

Synthetic rubber hose, unless special order from customers, when using the hose reel must strictly follow the provisions of this chapter of commonly recommend medium and commonly used banned medium

When confirm whether medium is suitable for conveying, in addition to the hose material, also need to consider the intermiscibility of materials and chemicals such as joint, flowing liquid Shaft, seals and other parts .



Forbidden to transport medium which
is not in the recommend medium list !
Others please consult the manufacture.

4.1 Commonly recommend medium



Class	Medium
Oils	L-HL Mineral Oil Diesel Gasoline fuel oil Kerosene
Chemical substances	Glycol
Others	Water waste water soapy water soya-bean oil

4.2 Commonly used banned medium



Class	Medium
Oils	Phosphate based hydraulic oil
Chemical substances	Acetaldehyde Acetylene Ammonium hydroxide Banana oil hydrochloric acid hydrogen nitrate
Others	strong brine carbonic acid vapour

5. Operating instructions

Using hose reel, need to strictly follow with below standards.

- ① Ensure the hose reel is installed in place before using ;
- ② It could be positioned when heard "kaka" after pulling the hose reel ;
- ③ Loosen hose reel to confirm whether positioning is firmed after positioning ;
- ④ After operation, please pull the hose reel until it could automatic rewinding ;
- ⑤ Forbidden to release grip on hose reel when rewinding, must hold it until all roll back, in case of personal injury.

6. Malfunction elimination

6.1 Hore reel could not rewinding automatically.

Firstly,to ensure you have pulled the hose to automatically rollback position.

If the hore reel is stuck in the process of rewinding, check whether the part of the hose with bottom friction and get stuck.

If it is too long time no maintenance, or let the hore reel in bad condition for a long time, it could lead to failure of spring, should contact the manufacturer for repair maintenance.



6.2 After pulling out the hore reel could not positioning

Ebenalp unique design to ensure the high reliability of the hose reel, also the reliability of the positioning function.

Under normal service conditions, a remote possibility to lose positioning function.

Once the positioning function is failure, please contact the manufacturer for repair maintenance.

6.3 In the process of winding, the winding drum shakes to large.

In the situation, should check the volume on time whether side plaate and bottom screw is loose or not, if there are any loose, please follow criteria to screw down the screws.

Hose reel standard assembly





①Screw fastening torque M10 refer to 40N.m , M8 refer to 25N.m , M5 refer to 8N.m;

②Screw should apply proper amount of fastening adhesive;

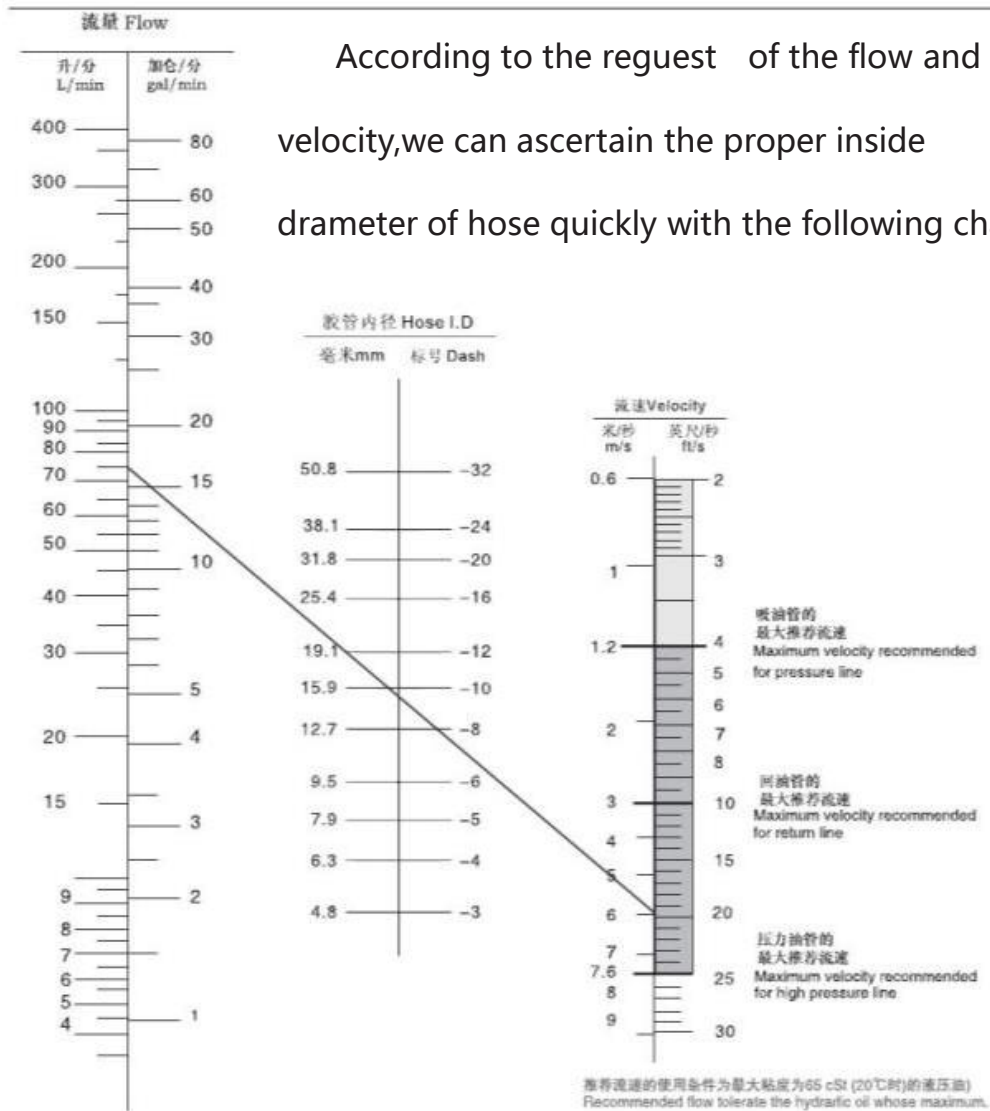
③Coupling nut between sides and bottom should use lock nut.

④ Circular uniform screw should tighten twice in accordance with the "diagonal order" t .

If the problem still exists, may be due to improper operation caused by the shell deformation, please contact the manufacturer for repair maintenance.

Item	Name	Spec	Product Diagram
1	Allen wrench	M6	
2	Allen wrench	M10	
3	Open-end wrench	36	
4	Open-end wrench	46	

How to choose with right inside diameter





Ebenalp Mobile Hydraulic Equipment Manufacturing Ningbo Co.,LTD.

No.1, Yanqu Road,Binhai Industrial Zone, Xiangshan Town,Ningbo, China

Post code : 315700

TEL: 400 8762 998

www.ebenalp.com