



HK32F030M Datasheet

Version: 1.4

Release Date: 2023-12-18

Shenzhen Hangshun Chip Technology R&D Co., Ltd.

<http://www.hsxp-hk.com>

Preface

Purpose

This document introduces the block diagram, memory mapping, peripheral interfaces, electrical characteristics, and pinouts of HK32F030M series microcontrollers (MCUs). It helps you quickly understand the characteristics and functions of HK32F030M.

Audience

This document is intended for:

- HK32F030M developers
- HK32F030M testers
- HK32F030M users

Release Notes

This document is applicable to HK32F030M series MCUs.

Revision History

Version	Date	Description
1.0	2020/02/21	The initial release.
1.0.1	2020/03/04	Updated section "3.9 Low-power modes".
1.0.2	2020/03/09	Updated section "4.2.5 Operating current".
1.0.3	2020/06/19	Updated section "3.7.2 Clock tree".
1.0.4	2020/07/03	Updated section "4.2.9 Flash memory characteristics".
1.0.5	2020/10/12	Updated section "3.22 ADC".
1.0.6	2020/10/16	Updated section "6.4 QFN20".
1.1	2021/03/18	Updated section "4.2.14 ADC characteristics".
1.1.1	2021/06/01	Updated section "4.2.14 ADC characteristics".
1.2	2021/11/23	Updated section "3.1 Block diagram", section "3.2.1 Flash features" and section "4.2.10 I/O port characteristics".
1.3	2022/10/08	Modified the following features: <ul style="list-style-type: none">• The bit width of TIM2, the max frequency of the GPIO input clock, the typical operating current• The block diagram and the system reset diagram Added the HK32F030MF4N6 model and related content.
1.3.1	2022/11/01	Corrected the grammar errors in the whole document.
1.4	2023/12/18	Updated the following sections and content: <ul style="list-style-type: none">• 2 Product overview• 3.1 Block diagram• 3.2 Memory mapping• 3.6 Resets• Figure 3-3 Reset circuitry• 3.7.2 Clock tree• Table 3-7 Conditions of entering and exiting low-power modes• 4.2.4 Internal reference voltage• 4.2.9 Flash memory characteristics• 6 Pinouts and pin descriptions• 7.1.4 QFN20 package, 8 Ordering information

Version	Date	Description
		<ul style="list-style-type: none">• The prescaler factor in section "3.10 IWDG"• The test condition in section "4.2.5 Operating current characteristics"• The t_{CAL} value in section "4.2.14 ADC characteristics" Added the following content: <ul style="list-style-type: none">• The HK32F030MF4S6 QFN20 package• The note for GPIOs in section "2.2 Device overview"• The minimum and maximum values of f_{LSI} in section "4.2.7 LSI clock characteristics"• The description of the thermal pad used as the VSS pin in section "6.4 QFN20 package"• Sections "7.2 Device marking" and "8.1 Ordering information"

Contents

1 Introduction	1
2 Product overview	2
2.1 Features	2
2.2 Device overview	4
3 Function description	6
3.1 Block diagram	6
3.2 Memory mapping	7
3.2.1 Flash features	7
3.2.2 Flash option byte	8
3.2.3 SRAM	8
3.2.4 EEPROM	8
3.3 CRC calculation unit	9
3.4 NVIC	9
3.5 EXTI	10
3.6 Resets	10
3.6.1 System reset	10
3.6.2 Power reset	11
3.7 Clocks	11
3.7.1 Clock sources	11
3.7.2 Clock tree	12
3.8 Power supply scheme	12
3.9 Low-power modes	12
3.10 IWDG	13
3.11 WWDG	13
3.12 SysTick timer	14
3.13 Basic timer	14
3.14 General-purpose timer	14
3.15 Advanced timer	14
3.16 AWU timer	14
3.17 Beeper	15
3.18 I2C bus	15
3.19 USART	15
3.20 SPI	15
3.21 GPIO	16
3.22 ADC	16
3.22.1 ADC external trigger sources	16

3.22.2 AWD wakeup function.....	16
3.23 64-bit UID.....	16
3.24 Debug port.....	17
4 Electrical characteristics.....	18
4.1 Absolute maximum values.....	18
4.1.1 Voltage characteristics	18
4.1.2 Current characteristics	18
4.1.3 Temperature characteristics	18
4.2 Operating conditions.....	18
4.2.1 Recommended operating conditions	18
4.2.2 POR characteristics	19
4.2.3 POR/PDR characteristics	19
4.2.4 Internal reference voltage.....	19
4.2.5 Operating current characteristics	19
4.2.6 HSI clock characteristics	20
4.2.7 LSI clock characteristics	20
4.2.8 GPIO input clock	20
4.2.9 Flash memory characteristics	20
4.2.10 I/O pin input characteristics.....	21
4.2.11 I/O pin output characteristics.....	21
4.2.12 NRST pin characteristics	21
4.2.13 TIM characteristics	22
4.2.14 ADC characteristics.....	22
5 Typical circuitry.....	23
6 Pinouts and pin descriptions.....	24
6.1 QFN20 package.....	24
6.2 TSSOP20 package	25
6.3 TSSOP16 package	26
6.4 SOP8 package	27
6.5 Alternate function (AF) table.....	28
6.6 Pin multiplexing (IOMUX)	29
7 Packages	30
7.1 Package outlines.....	30
7.1.1 QFN20 package	30
7.1.2 TSSOP20 package.....	33
7.1.3 TSSOP16 package.....	34
7.1.4 SOP8 package.....	35
7.2 Device marking	36

7.2.1 QFN20 marking.....	36
7.2.2 TSSOP20 marking.....	37
7.2.3 TSSOP16 marking.....	37
7.2.4 SOP8 marking.....	37
8 Ordering information	38
8.1 Device numbering conventions.....	38
8.2 Packaging information	38
9 Acronyms.....	39
10 Legal and contact information.....	40

1 Introduction

This document is the datasheet for HK32F030M series MCUs. HK32F030M is a family of cost-effective MCUs developed by Shenzhen Hangshun Chip Technology R&D Co., Ltd. (hereinafter referred to as Hangshun). This MCU family includes:

- HK32F030MF4U6 (QFN20 package)
- HK32F030MF4N6 (QFN20 package)
- HK32F030MF4S6 (QFN20 package)
- HK32F030MF4P6 (TSSOP20 package)
- HK32F030MD4P6 (TSSOP16 package)
- HK32F030MJ4M6 (SOP8 package)

For more details on HK32F030M, see *HK32F030M User Manual*.

2 Product overview

HK32F030M adopts the ARM® Cortex®-M0 core operating at a maximum frequency of 32 MHz. Each HK32F030M MCU has 16 Kbytes of Flash, 448 bytes of EEPROM, and two Kbytes of SRAM. You can configure the Flash controller register to remap interrupt vectors in the 16-Kbyte space.

Except for the power pins and ground pins, all the other pins of HK32F030M can be used as GPIOs, peripheral I/Os, or external interrupt inputs. This way, more pin functions can be provided.

HK32F030M incorporates a wide selection of communication interfaces:

- 1 × high-speed USART of up to 4 Mbit/s

The universal synchronous asynchronous receiver and transmitter (USART) supports synchronous and asynchronous full-duplex or half-duplex communication, multimaster communication, LIN protocol, Smart Card protocol, and IrDA SIR ENDEC. The RX and TX pins can be exchanged by using the software. The USART can wake up the MCU from Stop mode when receiving data.

- 1 × high-speed SPI/I2S of up to 16 Mbit/s

The SPI/I2S supports the 4-bit to 16-bit full-duplex or half-duplex communication, master/slave mode, TI mode, NSS pulse mode, automatic CRC, and I2S protocol.

- 1 × high-speed I2Cs of up to 1 Mbit/s

The I2C supports 1 Mbit/s, 400 kbit/s, and 100 kbit/s transmission rates, master/slave mode, multimaster mode, 7-bit/10-bit addressing, and SMBus protocol. The I2C can wake up the MCU from Stop mode when receiving data.

HK32F030M embeds a 16-bit advanced PWM timer (four PWM outputs in total, three of which have programmable inserted dead-times), a 16-bit general-purpose PWM timer (four PWM outputs in total), and a 16-bit basic timer (for periodic outputs of CPU interrupts).

HK32F030M also incorporates the analog circuitry: a 12-bit 1 MSPS ADC, a power-on reset (POR)/power-down reset (PDR) circuitry, and an internal reference voltage (sampled by on-chip ADC).

HK32F030M supports multiple power consumption modes. In low-power modes, HK32F030M MCUs can be automatically woken up by the internal low-power timer.

HK32F030M MCUs operate in the –40°C to +85°C temperature range, from a 1.8 V to 3.6 V power supply. It meets the environmental requirements of most applications.

With its diversified peripheral interfaces, HK32F030M is suitable for a wide range of applications:

- Programmable controllers, printers, and scanners
- Motor-driven devices and speed control
- Low-power terminals with sensors for Internet of Things (IoT)
- Drone control, gimbal control
- Toys
- Household appliances
- Intelligent robots
- Smartwatches and fitness trackers

2.1 Features

- CPU core
 - ARM® Cortex®-M0
 - Maximum frequency: 32 MHz

- 24-bit SysTick timer
- Supports the remapping of interrupt vectors (by configuring the Flash controller register)
- Operating voltage range: 1.8 to 3.6 V
- Operating temperature range: -40°C to +85°C
- Typical operating current
 - Run mode: 2.338 mA@32 MHz@3.3 V (73 μA/MHz)
 - Sleep mode: 1.197 mA@32 MHz@3.3 V (35 μA/MHz), wakeup time 21 ns
 - Deep Sleep mode: 0.613 mA@114 kHz@3.3 V, wakeup time 7.8 μs
 - Stop mode: 30.12 μA@3.3 V, wakeup time 10 μs (can be woken up by external pins or the internal timer)
- CPU trace and debug
 - SWD debug interface
 - ARM® CoreSight™ debug component (ROM-Table, DWT, BPU)
 - Customized DBGMCU debug controller (for low-power mode simulation control, debugged peripheral clock control, and debug and trace interfaces allocation)
- Memory
 - 16-Kbyte Flash (128 pages, 128 bytes per page; 32-bit reading, 16-bit writing)
 - Separate read and write protection for Flash data
 - 448-byte EEPROM
 - 2-Kbyte SRAM
- Data security
 - Cyclic redundancy check (CRC) hardware implementation unit
- Clock
 - GPIO external input clock: 1 – 32 MHz
 - High-speed internal clock (HSI): 32 MHz
 - Low-speed internal clock (LSI): 114 kHz
- Reset
 - External pin reset
 - POR/PDR
 - Software reset
 - IWDG reset and WWDG reset
 - Low-power management reset
- GPIO
 - Up to 16 GPIOs (in the TSSOP20 and QFN20 packages)
 - Each can be used for external interrupt inputs
 - Built-in pull-up/pull-down resistors that can be turned on or off
 - Support open-drain output
 - Configurable output drive capacity: high/low
- Pin multiplexing controller IOMUX
 - For small packages (such as SOP8), the mapping from multiple GPIOs or peripheral I/Os to one pin can be implemented by using IOMUX.

- Data communication interfaces
 - 1 × high-speed USART of up to 4 Mbit/s (can wake up the MCU from Stop mode when receiving data)
 - 1 × high-speed I2C of up to 1 Mbit/s (can wake up the MCU from Stop mode when receiving data)
 - 1 × high-speed SPI of up to 16 Mbit/s (supports the I2S protocol)
- Timer and PWM generator
 - 1 × 16-bit advanced PWM timer (four PWM outputs in total, three of which are complementary outputs with programmable inserted dead-times)
 - 1 × 16-bit general-purpose PWM timer (four PWM outputs in total)
 - 1 × 16-bit basic timer (supports CPU interrupts)
 - 1 × auto-wakeup timer:
 - The AWU timer can work in Stop mode.
- Beeper
 - 1 × beeper, which can output 1 kHz, 2 kHz, 4 kHz, or 8 kHz pulses
 - In Stop mode, the beeper keeps operating and can trigger ADC sampling periodically.
- On-chip analog circuitry
 - 1 × 12-bit 1 MSPS ADC (six internal and external analog input channels in total, support the differential pair input)
 - 1 × POR/PDR circuitry
 - 1 × 0.8 V internal reference voltage (sampled by ADC on chip)
- UID
 - Each HK32F030M MCU provides a 64-bit unique ID (UID).
- Reliability
 - Passes HBM6000V/CDM500V/LU700mA level tests.

2.2 Device overview

Table 2-1 HK32F030M series features

Feature	HK32F030MJ4M6	HK32F030MD4P6	HK32F030MF4P6	HK32F030MF4U6/ HK32F030MF4N6/ HK32F030MF4S6
Operating voltage	1.8 V to 3.6 V			
Operating temperature	-40°C to +85°C			
CPU frequency	32 MHz			
SysTick timer	1			
Flash	16 Kbytes			
EEPROM	448 bytes			
SRAM	2 Kbytes			
CRC	1			
IWDG	1			
WWDG	1			
USART	1			
I2C	1			
SPI/I2S	1			
Advanced timer	1			
General-purpose timer	1			
Basic timer	1			
AWU timer	1			
Beeper	1			
ADC (External)	1(3)	1(4)	1(5)	1(5)

Feature	HK32F030MJ4M6	HK32F030MD4P6	HK32F030MF4P6	HK32F030MF4U6/ HK32F030MF4N6/ HK32F030MF4S6
channels)				
POR/PDR	1			
Internal reference voltage	1			
64-bit UID	1			
GPIO	6 ⁽¹⁾	14 ⁽²⁾	16	16
Package	SOP8	TSSOP16	TSSOP20	QFN20

- (1). A total of six GPIOs in the SOP8 package can be used at the same time. You can configure the IOMUX register to select any six GPIOs from the 18 GPIOs.
- (2). A total of 14 GPIOs in the TSSOP16 package can be used at the same time. You can configure the IOMUX register to select any 14 GPIOs from the 18 GPIOs.

3 Function description

3.1 Block diagram

ARM® Cortex®-M0 is a 32-bit RISC processor that provides an MCU platform featuring low cost and low power consumption. It delivers outstanding computational performance and advanced system responses to interrupts. With the ARM Cortex®-M0 core embedded, the HK32F030M family is compatible with ARM tools and software.

The following figure shows the block diagram of HK32F030MF4U6:

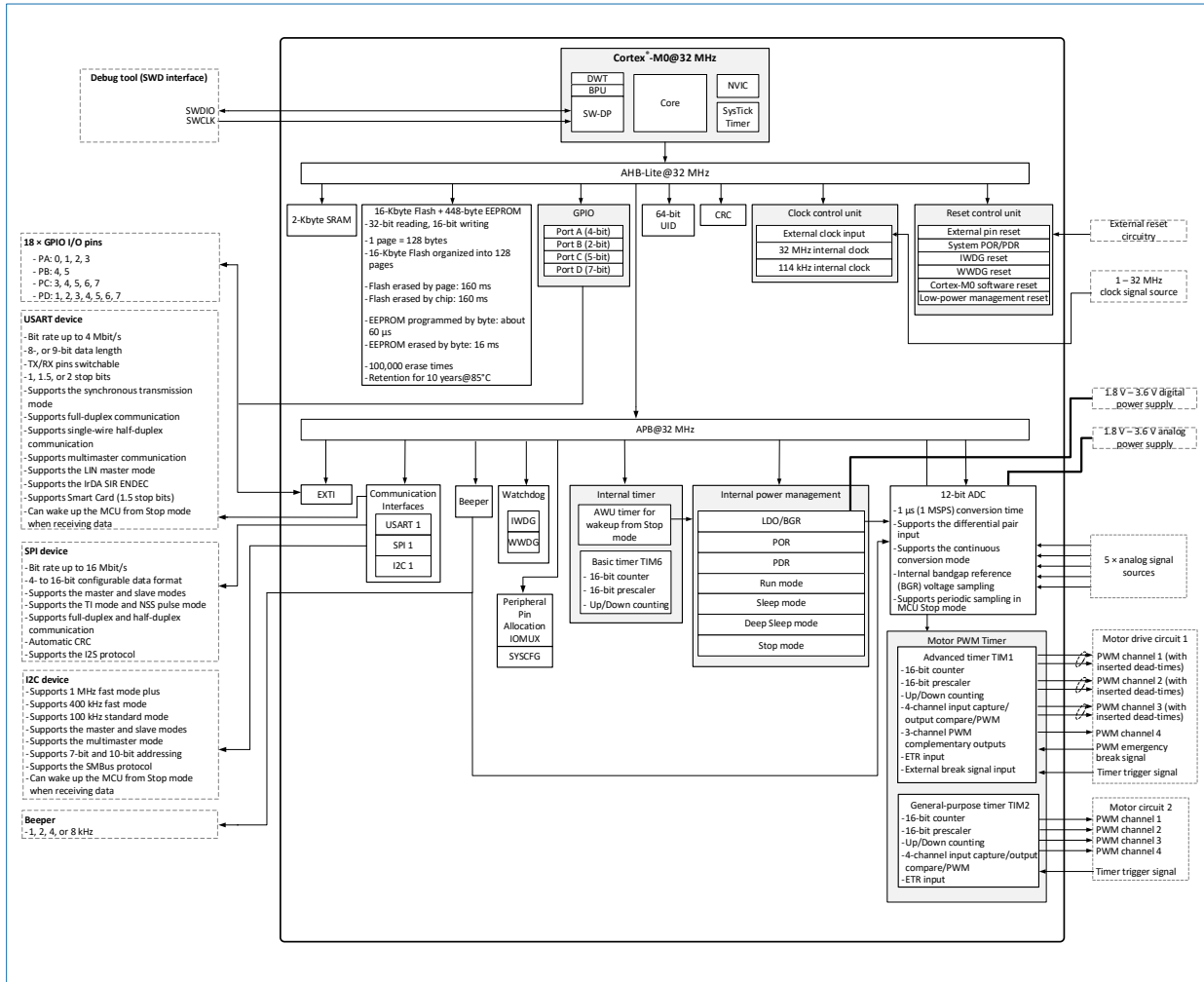


Figure 3-1 HK32F030MF4U6 block diagram

3.2 Memory mapping

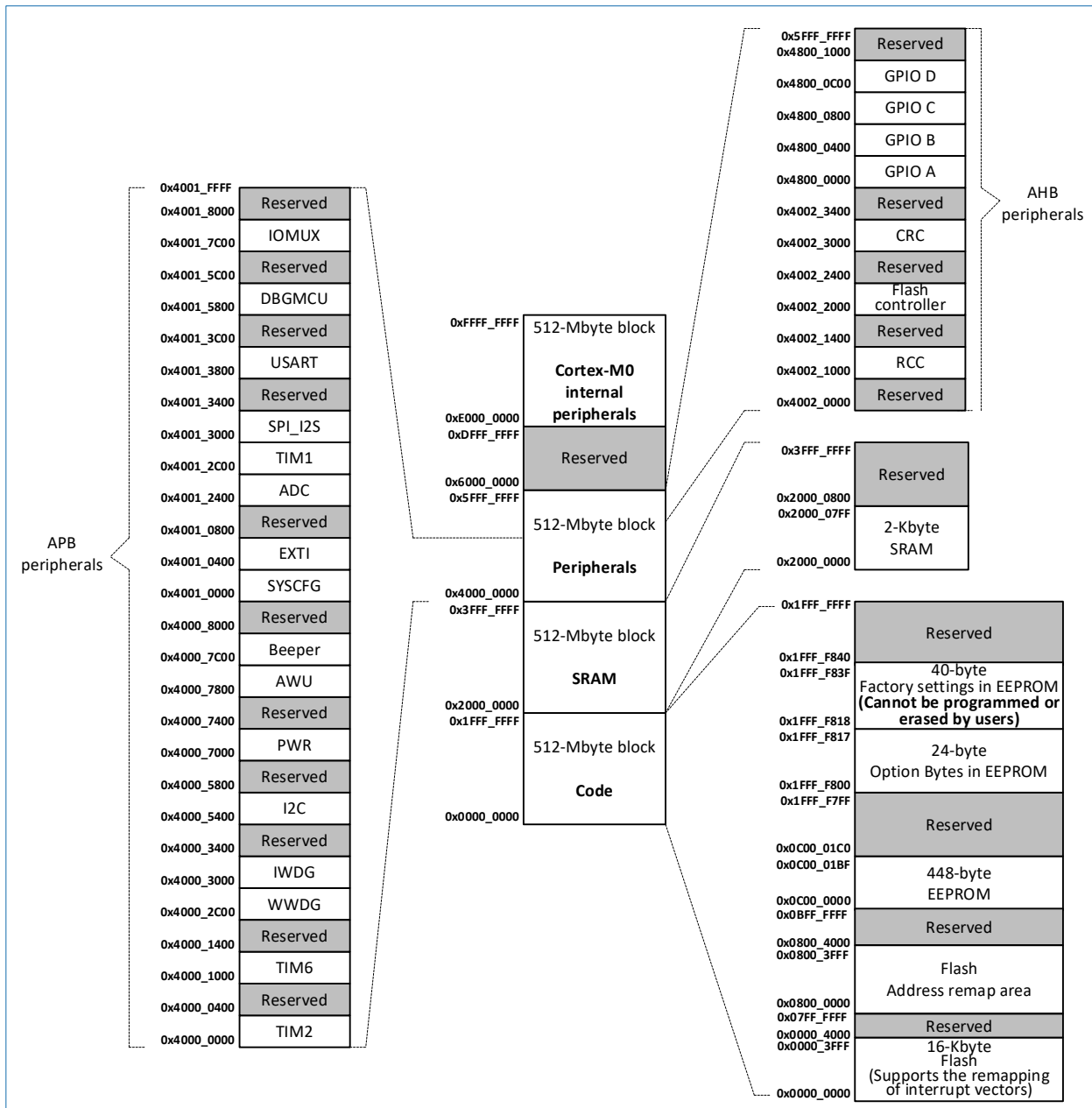


Figure 3-2 HK32F030M memory mapping

3.2.1 Flash features

- Flash data width: 32-bit reading, 16-bit writing.
- Page size: 128 bytes.
- Access to Flash: half-word (16 bits) writing, 32-bit reading
- Supports Flash read/write protection.
- The interrupt vectors can be remapped by configuring the register.

Table 3-1 Flash features

	Read Operation	Erase/Programming Operation
Operation time	When $1.8\text{ V} \leq V_{DD} \leq 2.4\text{ V}$: <ul style="list-style-type: none"> LATENCY = 000 and $HCLK \leq 16\text{ MHz}$: zero wait states. LATENCY = 001 and $16\text{ MHz} < HCLK \leq 32\text{ MHz}$: one wait state. 	<ul style="list-style-type: none"> Half-word programming: about $60\ \mu\text{s}$ Page erase: about 160 ms ($t_{\text{erase}} = 1/f_{\text{FLITFLCK}} \times 320,000$)

	Read Operation	Erase/Programming Operation
	When $2.4\text{ V} < V_{DD} \leq 3.6\text{ V}$: <ul style="list-style-type: none"> LATENCY = 000 and $HCLK \leq 24\text{ MHz}$: zero wait states. LATENCY = 001 and $24\text{ MHz} < HCLK \leq 32\text{ MHz}$: one wait state. 	<ul style="list-style-type: none"> Mass erase: about 160 ms ($t_{erase} = 1/f_{FLITFCLK} \times 320,000$)
Endurance	Supports about 100,000 cycles of erase, read, and write operations.	

3.2.2 Flash option byte

Table 3-2 Flash option byte structure

Address	[31:24]	[23:16]	[15:8]	[7:0]
0x1FFF F800	nUSER	USER	nRDP	RDP
0x1FFF F804	nDATA1	DATA1	nDATA0	DATA0
0x1FFF F808	nWRP1	WRP1	nWRP0	WRP0
0x1FFF F80C	nWRP3	WRP3	nWRP2	WRP2
0x1FFF F810	IWDG_INI_KEY[15:0]		Reserved	IWDG_RL_IV[11:0]
0x1FFF F814	DBG_CLK_CTL[15:0]		LSI_LP_CTL[15:0]	

- IWDG_RL_IV[11:0]: stores the initial values of the IWDG_RLR register. If IWDG acts as a hardware watchdog, configure the IWDG_RL_IV register to set the interval of the IWDG reset time.
- IWDG_INI_KEY[15:0]: determines whether IWDG_RL_IV is effective. When the value of IWDG_INI_KEY equals 0x5B1E, IWDG_RL_IV is effective.
- LSI_LP_CTL[15:0]: enters the Stop mode after IWDG is enabled and sets whether the system needs to be periodically woken up by IWDG.
 - If LSI_LP_CTL is set to 0x369C, when the MCU enters the Stop mode, LSI can be turned off according to the LSION value. When the MCU is woken up, LSI returns to the status before entering the Stop mode.
 - If LSI_LP_CTL is not set, after IWDG is enabled and the MCU enters the Stop mode, the system can be periodically woken up by IWDG.
- DBG_CLK_CTL[15:0]: When DBG_CLK_CTL stores 0x12DE, the CPU debug clock is turned off. Otherwise, it is turned on.

Note:

For the definitions of bit fields corresponding to 0x1FFF_F800 – 0x1FFF_F80C in [Table 3-2](#), see section "Flash option byte register" in *HK32F030M User Manual*.

3.2.3 SRAM

HK32F030M integrates a 2-Kbyte SRAM which can be accessed in words, half words, or bytes. The CPU can access the SRAM with no wait states, meeting the requirements of most applications.

3.2.4 EEPROM

HK32F030M integrates a 448-byte EEPROM.

Table 3-3 EEPROM features

	Read Operation	Erase/Programming Operation
Operation time	When $1.8\text{ V} \leq V_{DD} \leq 2.4\text{ V}$: <ul style="list-style-type: none"> LATENCY = 000 and $HCLK \leq 16\text{ MHz}$: zero wait states. LATENCY = 001 and $16\text{ MHz} < HCLK \leq 32\text{ MHz}$: one wait state. 	<ul style="list-style-type: none"> Byte programming: about 60 μs ($t_{prog_byte} = 1/f_{FLITFCLK} \times 120$) Byte erase: about 16 ms ($t_{erase_byte} = 1/f_{FLITFCLK} \times 32,000$)
	When $2.4\text{ V} < V_{DD} \leq 3.6\text{ V}$: <ul style="list-style-type: none"> LATENCY = 000 and $HCLK \leq 24\text{ MHz}$: zero wait states. LATENCY = 001 and $24\text{ MHz} < HCLK \leq 32\text{ MHz}$: one wait state. 	
Endurance	Supports about 100,000 cycles of erase, read, and write operations, or a service life of 10 years. (The shorter one prevails.)	

3.3 CRC calculation unit

The cyclic redundancy check (CRC) is used to verify the integrity of data during transmission and storage. HK32F030M integrates a CRC calculation unit to reduce the application processing burden and accelerate processing.

The CRC calculation unit computes a signature of the software during runtime. This signature is to be compared with the reference signature that is generated at link time and stored at a specified memory location.

3.4 NVIC

HK32F030M embeds a nested vectored interrupt controller (NVIC) to manage 21 kinds of interrupts flexibly with the lowest interrupt latency.

- The NVIC closely coupled with the core interface ensures low latencies in interrupt processing.
- The interrupt vector entry address is directly passed to the core.
- Supports the early processing of interrupts.
- Processes higher-priority interrupts even if they arrive late.
- Supports tail-chaining.
- Saves the processor state automatically.
- The previous state is resumed upon interrupt exit with no extra instructions needed.

Table 3-4 NVIC

Position	Priority		Name	Description	Address
-	-	-	-	Reserved	0x0000 0000
-	-3	Fixed	Reset	Reset	0x0000 0004
-	-2	Fixed	NMI	Non-maskable interrupt.	0x0000 0008
-	-1	Fixed	HardFault	All classes of faults	0x0000 000C
-	3	Configurable	SVCall	System service call via SWI instruction	0x0000 002C
-	5	Configurable	PendSV	Pendable request for system service	0x0000 0038
-	6	Configurable	SysTick timer	SysTick timer	0x0000 003C
0	7	Configurable	WWDG	Window watchdog interrupt	0x0000 0040
1	8	Configurable	-	-	0x0000 0044
2	9	Configurable	EXTI11	Automatic wakeup interrupt of EXTI line 11 (AWU_WKP)	0x0000 0048
3	10	Configurable	Flash	Flash global interrupt	0x0000 004C
4	11	Configurable	RCC	RCC global interrupt	0x0000 0050
5	12	Configurable	EXTI0	EXTI line 0 interrupt	0x0000 0054
6	13	Configurable	EXTI1	EXTI line 1 interrupt	0x0000 0058
7	14	Configurable	EXTI2	EXTI line 2 interrupt	0x0000 005C
8	15	Configurable	EXTI3	EXTI line 3 interrupt	0x0000 0060
9	16	Configurable	EXTI4	EXTI line 4 interrupt	0x0000 0064
10	17	Configurable	EXTI5	EXTI line 5 interrupt	0x0000 0068
11	18	Configurable	TIM1_BRK	TIM1 break interrupt	0x0000 006C
12	19	Configurable	ADC	ADC interrupt (combined with EXTI line 8)	0x0000 0070
13	20	Configurable	TIM1_UP_TRG_COM	TIM1 update, trigger, and COM interrupt	0x0000 0074
14	21	Configurable	TIM1_CC	TIM1 capture/compare interrupt	0x0000 0078
15	22	Configurable	TIM2	TIM2 global interrupt	0x0000 007C

Position	Priority	Name	Description	Address	
16	23	Configurable	-	-	0x0000 0080
17	24	Configurable	TIM6	TIM6 global interrupt	0x0000 0084
18	25	Configurable	-	-	0x0000 0088
19	26	Configurable	-	-	0x0000 008C
20	27	Configurable	-	-	0x0000 0090
21	28	Configurable	EXTI6	EXTI line 6 interrupt	0x0000 0094
22	29	Configurable	EXTI7	EXTI line 7 interrupt	0x0000 0098
23	30	Configurable	I2C	I2C global interrupt (combined with EXTI line 10)	0x0000 009C
24	31	Configurable	-	-	0x0000 00A0
25	32	Configurable	SPI	SPI global interrupt	0x0000 00A4
26	33	Configurable	-	-	0x0000 00A8
27	34	Configurable	USART	USART global interrupt (combined with EXTI line 9)	0x0000 00AC
28	35	Configurable	-	-	0x0000 00B0
29	36	Configurable	-	-	0x0000 00B4
30	37	Configurable	-	-	0x0000 00B8
31	38	Configurable	-	-	0x0000 00BC

3.5 EXTI

The EXTI of HK32F030M manages 12 EXTI lines (EXTI lines 0 to 11). The EXTI lines from EXTI 0 to EXTI 7 are connected to I/O pins. The connections of the other EXTI lines are as follows:

- EXTI 8 connected to the ADC AWD event
- EXTI 9 connected to the USART wakeup event
- EXTI 10 connected to the I2C wakeup event
- EXTI 11 connected to the AWU wakeup event

EXTI lines from EXTI8 to EXTI10 are connected to internal events and do not have the rising trigger selection register (RTSR), falling trigger selection register (FTSR), software interrupt event register (SWIER), and pending register (PR). EXTI lines from 8 to 10 can only detect the rising edge of events in Stop mode and generate the event request (ERQ) and interrupt request (IRQ) to wake up the system.

3.6 Resets

HK32F030M supports the system reset and power reset.

3.6.1 System reset

The system reset resets all registers, except for the reset flags in the control/status register RCC_CSR and the registers in the backup domain. A system reset is generated when any of the following events occurs:

- Low level on the NRST pin (external reset)
- Window watchdog counting terminates (WWDG reset)
- Independent watchdog counting terminates (IWDG reset)
- Software reset (SW reset): The SYSRESETREQ bit in Cortex[®]-M0 Application Interrupt and Reset Control Register must be set to 1 to force a software reset on the device.
- Low-power management reset

You can identify the reset source by checking reset status flags in the RCC_CSR register.

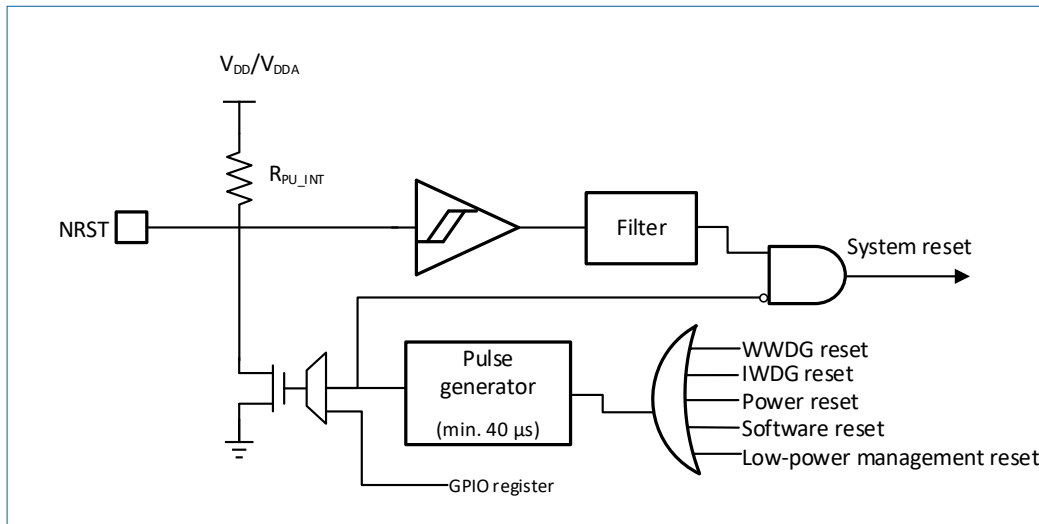


Figure 3-3 Reset circuitry

The reset sources eventually act on the NRST pin. The NRST pin keeps the low level during resets. The reset routine vector is fixed at address 0x0000 0004.

The internal reset signals are output on the NRST pin. The pulse generator guarantees a reset pulse duration of at least 40 μs for each internal reset source. When the NRST pin is pulled low and an external reset is generated, the reset pulse is generated.

3.6.2 Power reset

A power reset is generated when the following event occurs:

- Power-on reset (POR)/Power-down reset (PDR)

The power reset resets all registers, except for the registers in the backup domain.

HK32F030M MCUs contain the POR/PDR circuitry. The circuitry keeps operating to ensure that the system runs properly when the power supply exceeds the POR/PDR threshold. When V_{DD} is less than the POR/PDR threshold, the MCU will be reset without using any external reset circuit.

3.7 Clocks

A system clock is selected when the HK32F030M MCU starts. During the reset, the 32 MHz HSI RC is selected as the CPU clock by default, then the LSI can be selected.

HK32F030M also provides LSI and GPIO input as clock sources for the low-power and low-cost design scheme.

3.7.1 Clock sources

Table 3-5 Clock sources

Clock	Description
HSI clock	Frequency: 32 MHz
LSI clock	Frequency: 114 kHz
GPIO external input clock	Up to 32 MHz, input from EXTCLK1, EXTCLK2, EXTCLK3, EXTCLK4

3.7.2 Clock tree

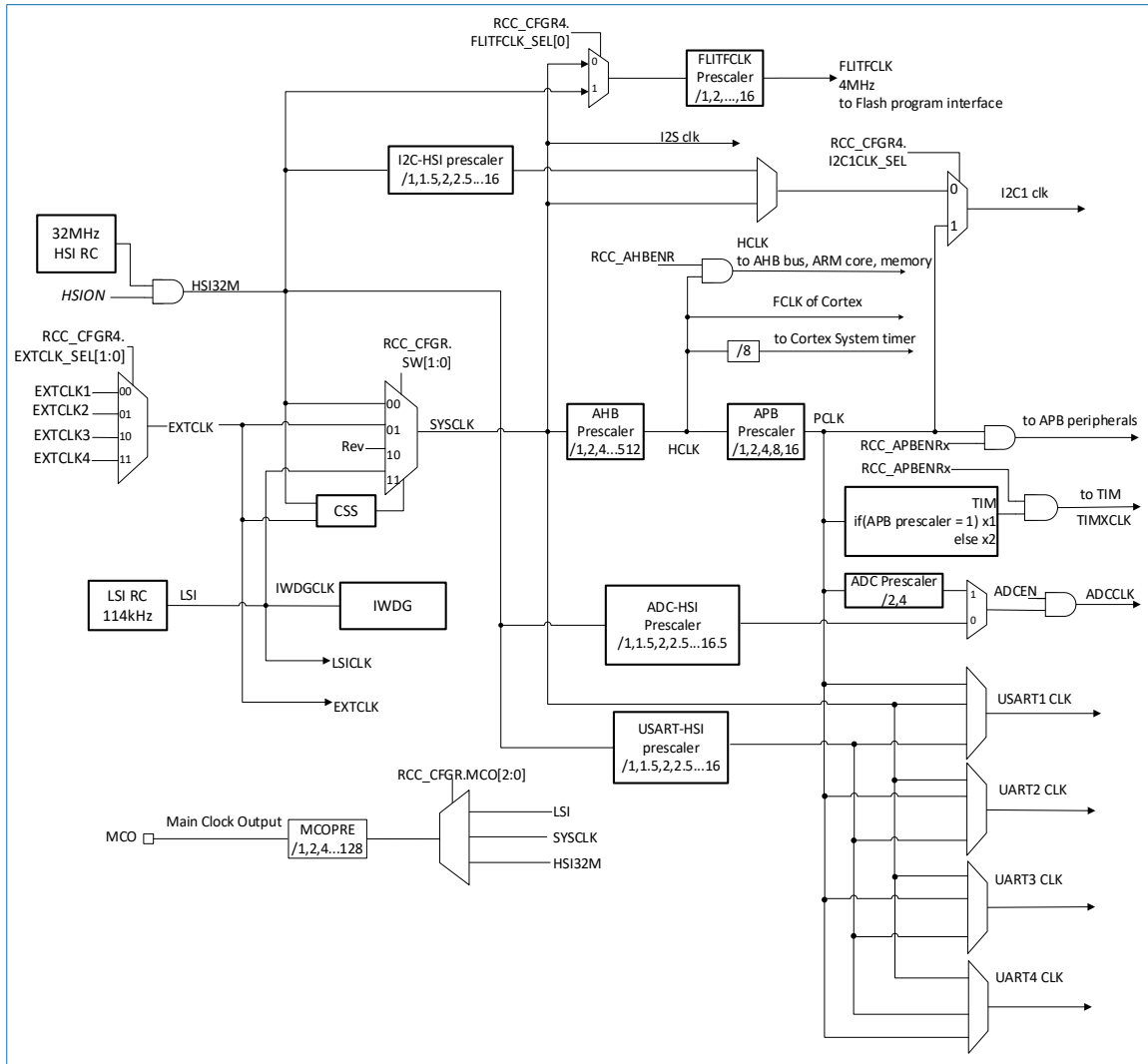


Figure 3-4 Clock tree

- SYSCLK: HSI32M, LSI, or GPIO input clock selectable. Default: HSI32M.
- HCLK: The default AHB prescaler factor is six.
- FLITFCLK: HSI23M or SYSCLK selectable.
- In clock security system (CSS) detection, the threshold for GPIO input clock frequency is adjustable.

3.8 Power supply scheme

HK32F030M has a single power supply. V_{DD} and V_{DDA} supply power to the digital circuitry and analog circuitry of the MCU via the same pin. The range of V_{DD}/V_{DDA} is from 1.8 V to 3.6 V.

3.9 Low-power modes

HK32F030M supports several low-power modes to achieve the best compromise between low power consumption, short startup time, and available wake-up sources.

- Sleep mode
 - In Sleep mode, only the CPU stops. All peripherals keep operating. The CPU can be woken up when an interrupt or event occurs.
- Deep Sleep mode
 - In Deep Sleep mode, the system clock operates at 114 kHz to reduce power consumption. In Deep Sleep

mode, only the CPU stops. All peripherals keep operating. The CPU can be woken up when an interrupt or event occurs. The power consumption of Deep Sleep mode is higher than that of Stop mode.

- Stop mode

In Stop mode, MCUs achieve the lowest power consumption while retaining the content in SRAM and registers. In Stop mode, all clocks in the core domain and the HSI RC oscillator are disabled.

MCUs can be woken up from Stop mode by any EXTI line. The EXTI line source can be any external I/O pin.

Table 3-6 Power consumption and wakeup time in different operating modes

Operating Mode	Power Consumption	Wakeup Time
Run mode	Dynamic power consumption: 2.338 mA@32 MHz@3.3 V (73 μ A/MHz)	-
Sleep mode	Dynamic power consumption: 1.197 mA@32 MHz@3.3 V (35 μ A/MHz)	21 ns
Deep Sleep mode	Static power consumption: 0.613 mA@114 kHz@3.3 V	7.8 μ s (shortest)
Stop mode	Static power consumption: 30.12 μ A@3.3 V	10 μ s

The following table describes the conditions of entering and exiting low-power modes:

Table 3-7 Conditions of entering and exiting low-power modes

Operating Mode	Entry	Exit	Core Domain Clock Status	V _{DD} Domain Clock Status	Voltage Regulator Status
Sleep	<ol style="list-style-type: none"> 1. Set PWR_CR: LPDS = 0. 2. The software executes WFI/WFE instructions. 	Any interrupt request (IRQ), including SysTick.	The CPU clock is off. No impact on other clocks or the ADC clock.	On	On
Deep Sleep	<ol style="list-style-type: none"> 1. Switch to the LSI clock. 2. Set PWR_CR: LPDS = 0. 3. The software executes WFI/WFE instructions. 	Any interrupt request (IRQ), including SysTick.	The CPU clock is off. No impact on other clocks or the ADC clock.	On	On
Stop	<ol style="list-style-type: none"> 1. Set PWR_CR: LPDS = 0. 2. Set the SLEEPDEEP bit in the Cortex-M0 system control register. 3. The software executes WFI/WFE instructions. 	<ul style="list-style-type: none"> • Any EXTI line. <ul style="list-style-type: none"> ○ If the MCU enters Stop mode after the WFI instructions are executed: Set any interrupt line to the interrupt mode. (The corresponding external interrupt vector must be enabled in NVIC.) ○ If the MCU enters Stop mode after the WFE instructions are executed: Set any interrupt line to the event mode. • Pre-wakeup by ADC sampling triggered by the beeper. The real wakeup occurs when the conditions are met. • AWU 	All clocks stop.	HSI disabled.	On or in low-power mode (configured in PWR_CR)

3.10 IWDG

The independent watchdog (IWDG) is based on a 12-bit downcounter and an 8-bit prescaler. The IWDG is clocked by an internal independent 114 kHz RC oscillator. The RC oscillator is independent of the main clock, so it can operate in Stop mode. The IWDG can reset the system when a problem occurs or work as a free-running timer to provide timeout management for applications. The IWDG can be started by hardware or software through the configuration of the option bytes. In debug mode, the counter can be frozen.

3.11 WWDG

The window watchdog (WWDG) is based on an internal 7-bit downcounter. The counter can be set to the free

running mode or used as a watchdog to reset the system when the system crashes. The WWDG is clocked by the main clock and has the early warning interrupt function. In debug mode, the counter can be frozen.

3.12 SysTick timer

SysTick timer is a dedicated timer of the operating system. It is a standard downcounter with the following features:

- 24-bit downcounter
- Auto-reload capability
- Generates a maskable interrupt when the counter reaches 0
- Programmable clock source

3.13 Basic timer

HK32F030M integrates a basic timer TIM6.

TIM6 embeds a 16-bit counter and a 16-bit prescaler. The counter can operate in up counting, down counting, or up/down counting mode. It is used to generate periodic CPU interrupt requests. In debug mode, the counter can be frozen.

3.14 General-purpose timer

HK32F030M integrates a 4-channel general-purpose timer TIM2.

TIM2 can generate PWM outputs or serve as a simple time base. TIM2 is based on a 16-bit auto-reload up/down counter and a 16-bit prescaler. In debug mode, the counter can be frozen.

TIM2 can work with the advanced timer through the Timer Link feature for synchronization and event chaining. Additionally, TIM2 can process quadrature (incremental) encoder signals and the digital outputs from one to three hall-effect sensors.

3.15 Advanced timer

HK32F030M integrates an advanced timer TIM1.

TIM1 can be deemed as a three-phase PWM generator with six channels or used as a complete general-purpose timer. The four independent channels of the advanced timer can be used for:

- Input capture
- Output compare
- PWM generation (edge- or center-aligned mode)
- One-pulse mode output

Three of the four channels have complementary PWM outputs with programmable inserted dead-times.

If TIM1 is configured as a 16-bit basic timer, it has the same functions as a basic timer. If the advanced timer is configured as a 16-bit PWM generator, it has full modulation capability (0 – 100%). Many functions of TIM1 are the same as those of the general-purpose timer. Therefore, the advanced timer can work together with the general-purpose timer through the Timer Link feature for synchronization or event chaining.

In debug mode, the counter can be frozen.

3.16 AWU timer

HK32F030M provides an auto-wakeup unit (AWU) timer. The AWU timer can count and generate an interrupt to wake up the MCU from Stop mode. It is based on an ultra-low-power 22-bit counter. The operating clock of the counter can be a 1 – 32 MHz GPIO input clock or the 114 kHz low-speed internal (LSI) clock. The AWU adopts the down-counting mode.

3.17 Beeper

An ultra-low-power 7-bit timer is embedded in the beeper. The operating clock of the timer can be the 1 – 32 MHz GPIO external input clock or the 114 kHz low-speed internal (LSI) clock. The timer adopts the down-counting mode and can output 1 kHz, 2 kHz, 4 kHz, or 8 kHz pulses.

In Stop mode, the beeper keeps operating and can trigger ADC sampling periodically. The frequency at which ADC sampling is triggered is 1/1024 of the frequency of the pulse output by the beeper. For example, if the beeper outputs 1 kHz pulses, ADC sampling is triggered at a frequency of 1 kHz/1024 \approx 0.98 Hz (at an interval of about 1.02s).

3.18 I2C bus

HK32F030M provides an I2C bus interface that can work as a master or slave and supports the standard mode, fast mode, and fast mode plus. The I2C bus interface supports the 7-bit or 10-bit addressing mode and 7-bit dual addressing mode (as slave). The I2C interface embeds hardware CRC generation/verification and supports SMBus V2.0/PMBus.

3.19 USART

A universal synchronous/asynchronous receiver/transmitter (USART) is embedded in each HK32F030M MCU. It can communicate at a speed of up to 4 Mbit/s.

The USART supports the multiprocessor communication mode, host synchronous communication mode, and single-wire half-duplex communication mode. The USART also supports Smart Card communication (ISO 7816), IrDA SIR ENDEC, LIN master/slave capability, and automatic baud rate detection.

The USART has a clock independent of the CPU clock domain, so it can wake up the MCU from Stop mode.

Table 3-8 USART features

USART Mode/Feature	USART
DMA transmission	Not supported
Multiprocessor communication	Supported
Synchronous mode	Supported
Single-wire half-duplex communication	Supported
Dual clock domains and wakeup from Stop mode	Supported
Automatic baud rate detection	Supported
Modbus communication	Supported
RS232 hardware flow control	Not supported
RS485 driver enable	Not supported
IrDA SIR ENDEC	Supported
LIN mode	Supported
Smart Card mode	Supported

3.20 SPI

HK32F030M has an SPI interface operating at up to 16 Mbit/s. The SPI interface supports full-duplex or half-duplex communication in master and slave modes. The 3-bit prescaler generates eight frequencies of master mode. Each frame can be configured to 4- to 16-bit.

The standard I2S interface (with SPI multiplexed) provides four types of audio standards and supports half-duplex communication in master or slave mode. The I2S interface has dedicated signals for data synchronization. The data format can be 16-bit, 24-bit, or 32-bit and the I2S interface can operate with 16- or 32-bit resolution. The I2S interface can be set to an audio sampling frequency from 8 kHz to 192 kHz by the 8-bit programmable linear prescaler. When working in master mode, the I2S interface can output a clock of 256 times the sampling frequency to external audio components.

Table 3-9 SPI features

SPI Feature	SPI
Hardware CRC calculation	Supported
RX/TX FIFO	Supported
NSS pulse mode	Supported
I2S mode	Supported
TI mode	Supported

3.21 GPIO

Each general-purpose input/output (GPIO) pin can be configured as an output pin (push-pull or open-drain), an input pin (floating, pull-up, or pull-down), or assigned to a peripheral alternate function by using the software. Most of the GPIO pins are shared by digital and analog peripherals. All GPIOs are high current-capable. The configuration of I/O alternate functions can be locked as needed to avoid unexpected writes to the I/O registers.

3.22 ADC

HK32F030M incorporates an ADC that has the following features:

The ADC has a total of six internal and external channels. AIN0 to AIN4 are external channels connected to I/Os. AIN5 is an internal channel connected to the internal reference voltage.

- Supports the differential pair input mode. AIN0-AIN1 and AIN2-AIN3 form two differential pairs. (When ADC is configured to the differential pair input mode, AIN4 and the ADC channel for the sampling of the internal BGR voltage are unavailable.)
- Supports only the 12-bit ADC sampling resolution (eight bits valid).

3.22.1 ADC external trigger sources

Table 3-10 ADC external trigger sources

Name	Source	External Trigger Selection Mode (EXTSEL[2:0])
TRG0	TIM1_TRGO	000
TRG1	TIM1_CC4	001
TRG2	TIM2_TRGO	010
TRG3	TIM6_TRGO	011
TRG4	TIM1_CC1	100
TRG5	TIM1_CC2	101
TRG6	TIM1_CC3	110
TRG7	IO_TRIG	111

IO_TRIG can be triggered by any I/O. You need to set the MODER and AFR registers of the corresponding I/O. For details, see section "GPIO registers" in *HK32F030M User Manual*.

3.22.2 AWD wakeup function

In Stop mode, the beeper counts and sends a signal to the ADC. The ADC samples the signal and wakes up the ADC clock. Then the ADC clock triggers ADC conversions and generates an AWD event according to ADC conversion results. Then the AWD event is sent to an EXTI line to wake up the system.

To use the AWD wakeup function, you need to configure not only the related threshold and channel, but also the ADC_CR2.WAKE_EN register, beeper internal counting control register, and ADC wakeup enable register.

3.23 64-bit UID

The 64-bit unique identifier (UID) provides a reference number for each HK32F030M MCU. The UID is unique in any circumstances. You are not allowed to modify the UID. The 64-bit UID can be read in bytes (8 bits), half words (16 bits), or words (32 bits) as needed. The 64-bit UID can be used:

- As a serial number. For example, as a USB string serial number or used for other terminal applications.

- As a security key. When programming the Flash, use the UID together with software encryption and decryption algorithms to enhance the security of code in the Flash.
- To activate the boot process that has a security mechanism.

3.24 Debug port

Based on the ARM SWJ-DP embedded in HK32F030M, SWDIO and SWCLK functions are available.

4 Electrical characteristics

4.1 Absolute maximum values

The absolute maximum values are stress test values within a short period.

Caution:

- Do not use the device in conditions equal to or exceeding the absolute maximum values.
- Stresses beyond the absolute maximum values listed in [Table 4-1](#) to [Table 4-3](#) may cause permanent damage to the device.
- If the device works under the maximum values for extended periods, its reliability may deteriorate.

4.1.1 Voltage characteristics

Table 4-1 Voltage characteristics

Symbol	Description	Min	Max	Unit
$V_{DD} - V_{SS}$	External main power supply voltage (including V_{DDA} and V_{DD})	-0.5	4.0	V
V_{IN}	Input voltage on pins	$V_{SS} - 0.3$	$V_{DD} + 4.0$	
$ \Delta V_{DDX} $	Variation between different power pins	-	50	mV
$ V_{SSX} - V_{SS} $	Variation between different ground pins	-	50	

4.1.2 Current characteristics

Table 4-2 Current characteristics

Symbol	Description	Max	Unit
I_{VDD}	Total current into V_{DD}/V_{DDA} (source) ⁽¹⁾	150	mA
I_{VSS}	Total current from V_{SS} (sink) ⁽¹⁾	150	
I_{IO}	Output current sunk by any I/O and control pin	25	
	Output current sourced by any I/O and control pin	-25	
$I_{INJ(PIN)}^{(2)}$	Injected current on pins ⁽³⁾	±5	
$\Sigma I_{INJ(PIN)}$	Total injected current (all I/Os and control pins) ⁽⁴⁾	±25	

- All power (V_{DD} , V_{DDA}) and ground (V_{SS} , V_{SSA}) pins must be connected to the external power supply within the permitted range all the time.
- Negative injected current causes the analog performance of the device to fluctuate.
- When V_{IN} is larger than V_{DD} , a positive injected current is induced; when V_{IN} is smaller than V_{SS} , a negative injected current is induced. The injected current must be within the permitted range.
- If multiple I/Os have current injection simultaneously, the maximum $\Sigma I_{INJ(PIN)}$ is the sum of the absolute instantaneous values of positive and negative injected currents.

4.1.3 Temperature characteristics

Table 4-3 Temperature characteristics

Symbol	Description	Value	Unit
T_{STG}	Storage temperature range	-45 to +150	°C
T_J	Maximum junction temperature	125	

4.2 Operating conditions

4.2.1 Recommended operating conditions

Table 4-4 Recommended operating conditions

Symbol	Description	Min	Max	Unit
f_{HCLK}	Internal AHB clock frequency	0	32	MHz
f_{PCLK}	Internal APB clock frequency	0	32	
V_{DD}/V_{DDA}	Operating voltage ⁽¹⁾	1.8	3.6	V
T	Operating temperature	-40	85	°C

- V_{DD} and V_{DDA} are combined on the chip and supplied by a single external power supply. It is recommended that you add the filter capacitor.

4.2.2 POR characteristics

Table 4-5 POR characteristics

Symbol	Parameter	Condition	Min	Typ	Max	Unit
T _{delay}	NRST signal establishment time	-	-	40	-	μs
V _{Threshold}	Reset threshold	-	-	1.75	-	V

4.2.3 POR/PDR characteristics

Table 4-6 POR/PDR characteristics

Symbol	Parameter	Condition	Min	Typ	Max	Unit
V _{POR/PDR} ⁽¹⁾	POR/PDR threshold	Falling edge ⁽²⁾	1.8	1.88	1.96 ⁽³⁾	V
		Rising edge	1.84 ⁽³⁾	1.92	2.00	V
V _{PDRhyst}	PDR hysteresis	-	-	40	-	mV
t _{RSTEMPO} ⁽³⁾	Reset duration	-	1.50	2.50	4.50	ms

- (1). PDR is based on the monitoring of V_{DD} and V_{DDA}. POR is based on the monitoring of only V_{DD}.
- (2). The actual performance value is guaranteed to be smaller than the minimum V_{POR/PDR} value.
- (3). The value is guaranteed in design.

4.2.4 Internal reference voltage

Table 4-7 Internal reference voltage characteristics

Symbol	Parameter	Condition	Min	Typ ⁽²⁾	Max	Unit
V _{REFINT} ⁽¹⁾	Internal reference voltage	-40°C to 85°C V _{DD} Or V _{DDA} = 3.3 V	0.75	0.8	0.87	V
Ripple _{REFINT} ⁽³⁾	Fluctuation of reference voltage in full temperature range	-40°C to 85°C V _{DD} Or V _{DDA} = 3.3 V	0.096	-	3.188	%

- (1). The actual test results of multiple samples after trimming.
- (2). The target trimming value.
- (3). The actual test results of multiple samples when the temperature is 20°C.

4.2.5 Operating current characteristics

Table 4-8 Operating current characteristics

Mode	Condition	V _{DD} = 3.3 V			Unit
		-40°C	25°C	85°C	
Run mode	SYSCLK = HSI (32 MHz); All I/Os configured in high impedance; Except for Flash, SRAM, and RCC, all the other peripherals disabled; APB clock enabled ; Two wait states to access Flash.	2.572	2.599	2.704	mA
	SYSCLK = HSI (32 MHz); All I/Os configured in high impedance; Except for Flash, SRAM, and RCC, all the other peripherals disabled; APB clock disabled ; Two wait states to access Flash.	2.326	2.338	2.501	mA
	SYSCLK = LSI (114 kHz); All I/Os configured in high impedance; Except for Flash, SRAM, and RCC, all the other peripherals disabled; APB clock disabled ; Zero wait states to access Flash.	1.802	1.711	1.822	mA
Sleep mode	SYSCLK = 32 MHz; AHB/APB disabled; Clock in the core domain disabled; All I/Os configured in high impedance; SRAM and Flash data retained, other peripherals disabled.	1.097	1.197	1.477	mA

Mode	Condition	V _{DD} = 3.3 V			Unit
		-40°C	25°C	85°C	
Deep Sleep mode	SYSCLK = 114 kHz; AHB/APB disabled; Clocks in the core domain disabled; All I/Os configured in high impedance; SRAM and Flash data retained, other peripherals disabled.	0.548	0.613	0.728	mA
Stop mode	All clocks in the core domain stopped; HSI oscillator and LSI oscillator disabled; LDO operating in low-power mode; All I/Os configured in high impedance; AWU enabled , other peripherals disabled.	21.83	34.08	213.6	μA
	All clocks in the core domain stopped; HSI oscillator and LSI oscillator disabled; LDO operating in low-power mode; All I/Os configured in high impedance; AWU disabled , all the other peripherals disabled.	18.02	30.12	210.44	μA

4.2.6 HSI clock characteristics

Table 4-9 Characteristics of the HSI clock

Symbol	Parameter	Condition	Min	Typ	Max	Unit
f _{HSI}	Frequency	-	-	32	-	MHz
DuCy _(HSI)	Duty cycle	-	45	-	55	%
ACC	Oscillator accuracy	RCC_CR register calibration completed by the user	-	-	1	%
		Factory calibration: T _A = -40°C to +85°C	-1	-	1	
T _{SU (HSI)}	Oscillator startup time	V _{SS} ≤ V _{IN} ≤ V _{DD}	1	-	2	μs
I _{DD (HSI)}	Oscillator power consumption	-	-	80	100	μA

4.2.7 LSI clock characteristics

Table 4-10 Characteristics of the LSI clock

Symbol	Parameter	Condition	Min	Typ	Max	Unit
f _{LSI}	Frequency	-	100	114	125	kHz
DuCy _(LSI)	Duty cycle	-	45	-	55	%
T _{SU (LSI)}	Oscillator startup time	V _{SS} ≤ V _{IN} ≤ V _{DD}	1	-	2	μs
I _{DD (LSI)}	Oscillator power consumption	-	-	5	8	μA

4.2.8 GPIO input clock

An external clock can be input to HK32F030M from EXTCLK1, EXTCLK2, EXTCLK3, or EXTCLK4.

Table 4-11 GPIO input clock characteristics

Symbol	Parameter	Min	Typ	Max	Unit
F _{ext}	Input clock frequency	1	8.0	32	MHz
	Input clock duty cycle	40	-	60	%
Jitter	Cycle-to-cycle jitter	-	-	300	ps

4.2.9 Flash memory characteristics

Table 4-12 Flash memory characteristics

Symbol	Parameter	Min	Typ	Max	Unit
T _{PROG}	Half word programming time	-	60	-	μs
T _{ERASE}	Page erase time	120	160	200	ms
	Mass erase time	120	160	200	ms
I _{DDPROG}	Half word programming current	-	-	5	mA

Symbol	Parameter	Min	Typ	Max	Unit
I _{DERASE}	Page/Mass erase current	-	-	2	mA
I _{DDREAD}	Read current@24 MHz	-	2	3	mA
	Read current@1 MHz	-	0.25	0.4	mA
N _{END}	Erasure endurance	100	-	-	Thousand cycles
t _{RET}	Data retention	10	-	-	Years

4.2.10 I/O pin input characteristics

Table 4-13 I/O pin input direct current characteristics

Symbol	Parameter	Condition	Min	Typ	Max	Unit
V _{IH}	Input high level voltage	V _{DD} = 3.3 V	1.65@without Schmitt trigger 1.75@with Schmitt trigger	-	-	V
V _{IL}	Input low level voltage	V _{DD} = 3.3 V	-0.3	-	1.60@with Schmitt trigger 1.45@without Schmitt trigger	V
V _{hys}	Schmitt trigger voltage hysteresis	V _{DD} = 3.3 V	450	-	-	mV
I _{lk}	Input leakage current	V _{IN} = 3.3 V	-	-	3	μA
R _{PU}	Pull-up resistor	V _{IN} = V _{SS}	30	40	50	kΩ
R _{PD}	Pull-down resistor	V _{IN} = V _{DD}	30	40	50	kΩ
C _{IO}	I/O pin capacitance	-	-	5	-	pF

4.2.11 I/O pin output characteristics

Table 4-14 I/O pin output voltage characteristics

Symbol	Parameter	Condition	Min	Max	Unit
V _{OL}	Output low level voltage	V _{DD} = 3.3 V, I _{OL} = -8 mA	0	0.8	V
V _{OH}	Output high level voltage	V _{DD} = 3.3 V, I _{OH} = 8 mA	2.4	3.3	
V _{OL}	Output low level voltage	V _{DD} = 3.3 V, I _{OL} = -20 mA	0	0.8	
V _{OH}	Output high level voltage	V _{DD} = 3.3 V, I _{OH} = 20 mA	2.4	3.3	

Table 4-15 I/O pin output alternating current characteristics

Mode (MODER bit)	Symbol	Parameter	Condition	Min	Max	Unit
10	f _{max(I_Oout)}	Max frequency	C _L = 50 pF, V _{DD} = 2 V - 3.6 V	-	2	MHz
	t _{f(I_Oout)}	Output high to low level fall time		-	125	ns
	t _{r(I_Oout)}	Output low to high level rise time		-	125	ns
01	f _{max(I_Oout)}	Max frequency	C _L = 50 pF, V _{DD} = 2 V - 3.6 V	-	10	MHz
	t _{f(I_Oout)}	Output high to low level fall time		-	25	ns
	t _{r(I_Oout)}	Output low to high level rise time		-	25	ns
11	f _{max(I_Oout)}	Max frequency	C _L = 50 pF, V _{DD} = 2.7 V - 3.6 V	-	50	MHz
	t _{f(I_Oout)}	Output high to low level fall time		-	5	ns
	t _{r(I_Oout)}	Output low to high level rise time		-	5	ns

4.2.12 NRST pin characteristics

The NRST pin is connected to a pull-up resistor. Its peripheral application circuit can connect to an external RC circuit or no circuits.

Table 4-16 NRST pin input characteristics

Symbol	Parameter	Min	Max	Unit
V _{IL}	NRST reset low level voltage		0.8	V
V _{IH}	NRST input high level voltage	2	-	V
V _{hys}	Schmitt trigger voltage	-	200	mV
R _{pull}	Internal weak pull-up resistor	-	50	kΩ
T _{Noise}	Low level ignored duration	-	100	ns

4.2.13 TIM characteristics

Table 4-17 TIM1 characteristics

Symbol	Parameter	Min	Max	Unit
t _{res(TIM)}	Timer resolution time	1	-	t _{TIMxCLK}
f _{EXT}	Timer external clock frequency on CH1 to CH4	0	F _{TIMxCLK} /2 ⁽¹⁾	MHz
RES _{TIM}	Timer resolution	-	16	Bit
t _{counter}	16-bit counter clock period when an internal clock is selected	1	65536	t _{TIMxCLK}
t _{MAX_COUNT}	Maximum possible count	-	65536 × 65536	t _{TIMxCLK}

(1). f_{TIMxCLK} = 32 MHz

Table 4-18 TIM2 characteristics

Symbol	Parameter	Condition	Min	Typ	Max	Unit
t _{res(TIM)}	Timer resolution time	f _{TIMxCLK} = 32 MHz	-	31.2	-	ns
f _{EXT}	External input clock frequency on CH1 – CH4	-	-	f _{TIMxCLK} /2 ⁽¹⁾	-	MHz
		f _{TIMxCLK} = 32 MHz	-	16	-	MHz
t _{MAX_COUNT}	16-bit counter clock period when an internal clock is selected	-	-	2 ¹⁶	-	t _{TIMxCLK}
		f _{TIMxCLK} = 32 MHz	-	2.048	-	ms

(1). f_{TIMxCLK} = 32 MHz.

4.2.14 ADC characteristics

Table 4-19 ADC characteristics

Item	Description	Condition	Min	Typ	Max	Unit
V _{DD}	ADC power supply	-	2	3.3	3.6	V
f _{ADC}	ADC clock frequency	-	0.6	-	14	MHz
f _s	Sampling frequency	-	0.05	-	1	MHz
f _{TRIG}	External trigger frequency	f _{ADC} = 16 MHz	-	-	823	kHz
			-	-	17	1/f _{ADC}
V _{AIN}	Conversion voltage range	-	0	-	V _{DD}	V
R _{AIN}	External input impedance	-	-	-	50	kΩ
R _{ADC}	Sample switch resistance	-	-	-	1	kΩ
C _{ADC}	Sample and hold capacitance	-	-	-	5	pF
t _{CAL}	ADC calibration time	f _{ADC} = 16 MHz	5.9			μs
			83			
t _{latr}	Regular trigger conversion latency	f _{ADC} = 16 MHz	-	-	0.143	μs
			-	-	2	1/f _{ADC}
t _s	Sampling time	f _{ADC} = 16 MHz	0.107	-	17.1	μs
			1.5	-	239.5	1/f _{ADC}
t _{STAB}	Power-on startup time	-	0	0	1	μs
t _{CONV}	Total conversion time (including sampling time)	f _{ADC} = 16 MHz	1	-	18	μs
			14 to 252 (sampling time t _s + 12.5 for successive approximation)			
ADC bit width	12-bit	-	-	-	-	-

5 Typical circuitry

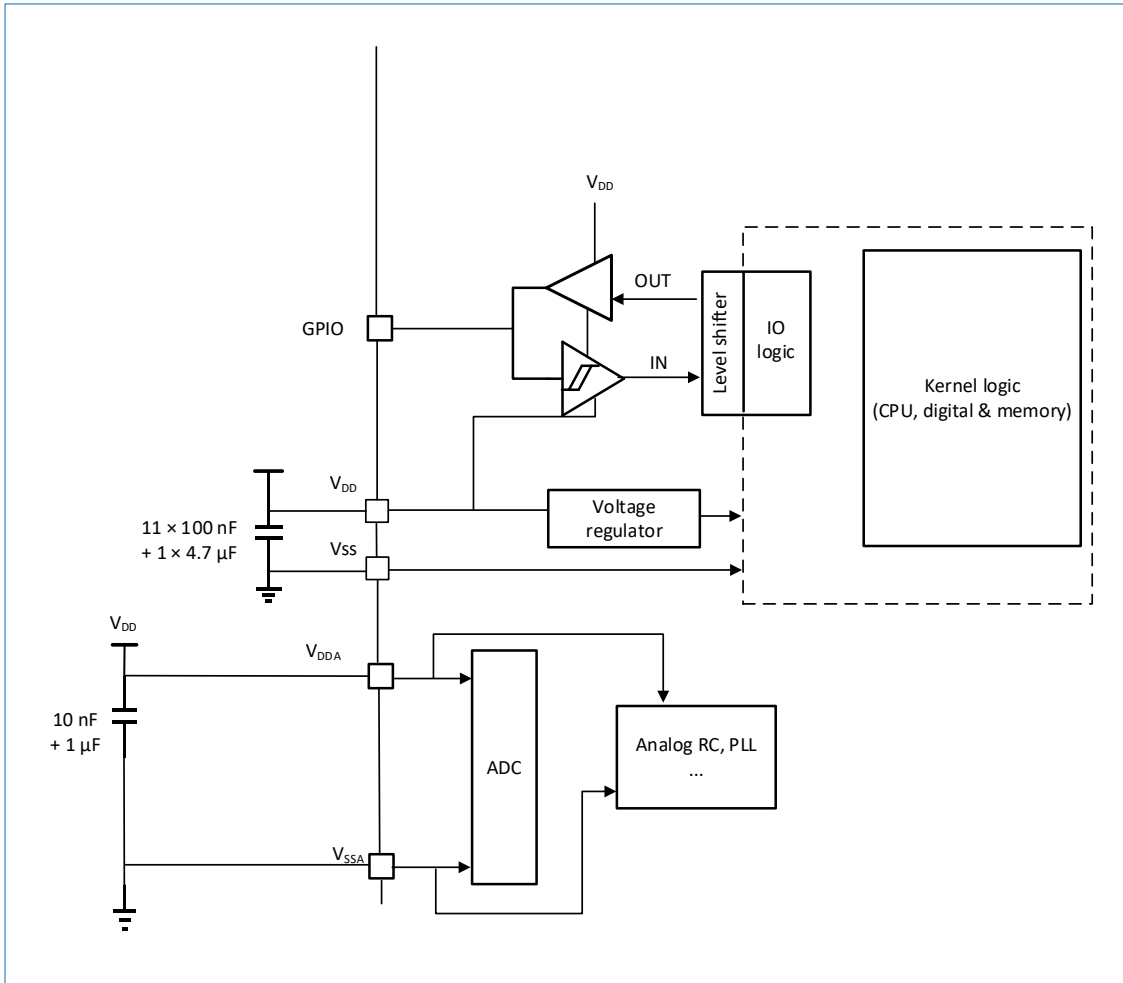


Figure 5-1 Power supply reference circuitry

6 Pinouts and pin descriptions

HK32F030M MCUs are delivered in four packages: SOP8, TSSOP16, TSSOP20, and QFN20.

6.1 QFN20 package

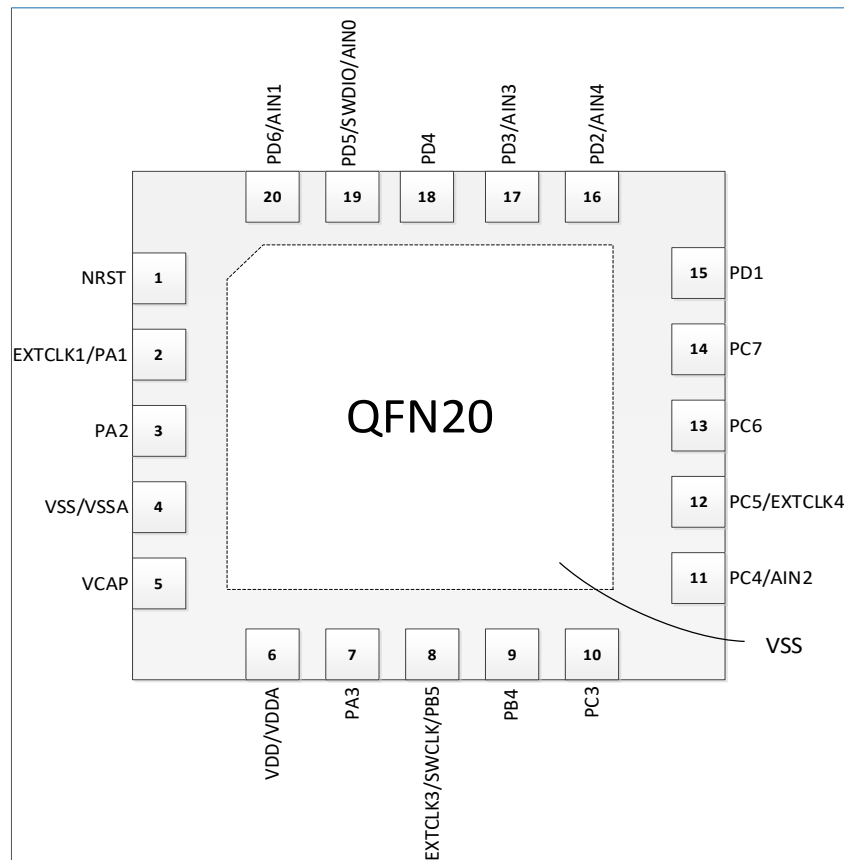


Figure 6-1 QFN20 pinout

Table 6-1 QFN20 pin description

Pin No.	Pin Name	Pin Type (1)	Default Function After Resets	Alternate Function (AF0)	Additional Function
0	VSS	S	Ground (In the QFN package, pin 0 is the thermal pad on the package bottom.)	-	-
1	NRST	I	NRST	-	-
2	PA1/EXTCLK1	I/O	PA1	-	EXTI1
3	PA2	I/O	PA2	I2C_SMBA	EXTI2
4	VSS/VSSA	S	VSS and VSSA are connected on chip.	-	-
5	VCAP ⁽⁴⁾	O	Not connected	-	-
6	VDD/VDDA	S	VDD and VDDA are connected on chip.	-	-
7	PA3	I/O	PA3	-	EXTI3
8	PB5/SWCLK/EXTCLK3	I/O	SWCLK	SWCLK_I2C_SDA ⁽³⁾	EXTI5
9	PB4	I/O	PB4	I2C_SCL	EXTI4
10	PC3	I/O	PC3	-	EXTI3
11	PC4/AIN2 ⁽²⁾	I/O	PC4	-	EXTI4
12	PC5/EXTCLK4	I/O	PC5	I2C_SDA	EXTI5
13	PC6	I/O	PC6	I2C_SCL	EXTI6
14	PC7	I/O	PC7	-	EXTI7
15	PD1	I/O	PD1	I2C_SMBA	EXTI1
16	PD2/AIN4 ⁽²⁾	I/O	PD2	-	EXTI2
17	PD3/AIN3 ⁽²⁾	I/O	PD3	-	EXTI3
18	PD4	I/O	PD4 GPIO	I2C_SMBA	EXTI4
19	PD5/SWDIO/AINO ⁽²⁾	I/O	SWDIO	SWDIO	EXTI5
20	PD6/AIN1 ⁽²⁾	I/O	PD6 GPIO	-	EXTI6

(1). I = input, O = output, I/O = input/output, S = power supply.

- (2). The analog input to the ADC can be input through AIN0 – AIN4.
- (3). For the PB5 pin, the SWCLK or I2C_SDA function is selected by configuring additional registers.
- (4). The QFN20 package does not provide the EXTCLK2 function.

6.2 TSSOP20 package

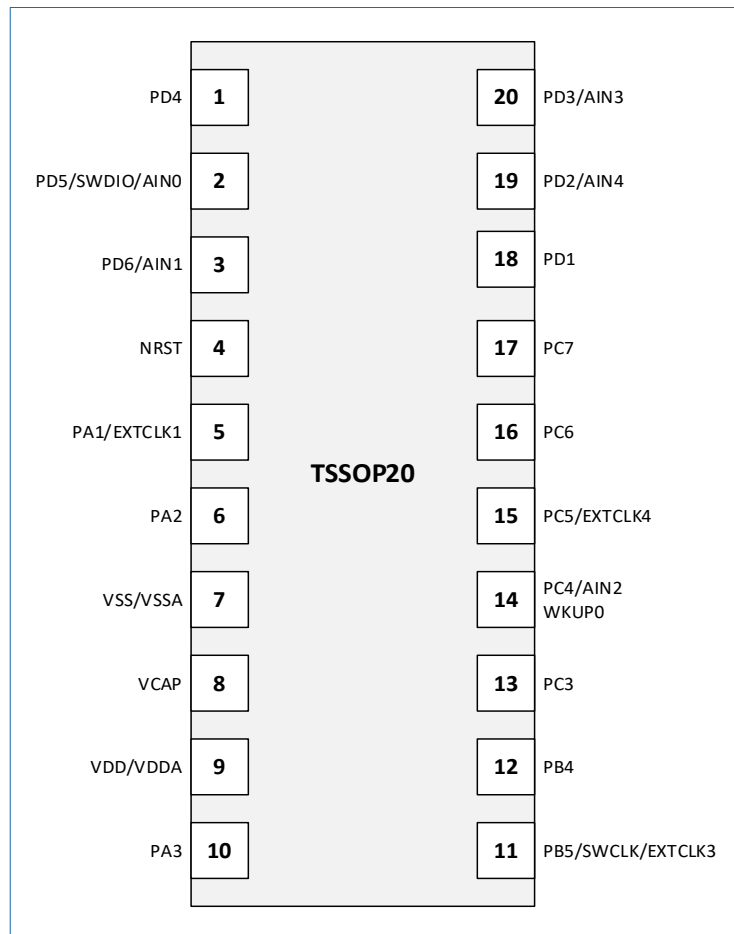


Figure 6-2 TSSOP20 pinout

Table 6-2 TSSOP20 pin description

Pin No.	Pin Name	Pin Type ⁽¹⁾	Default Function After Resets	Alternate Function (AFO)	Additional Function
1	PD4	I/O	PD4	I2C_SMBA	EXTI4
2	PD5/SWDIO/AIN0 ⁽²⁾	I/O	SWDIO	SWDIO	EXTI5
3	PD6/AIN1	I/O	PD6	-	EXTI6
4	NRST	I	NRST	-	-
5	PA1/EXTCLK1	I/O	PA1	-	EXTI1
6	PA2	I/O	PA2	I2C_SMBA	EXTI2
7	VSS/VSSA	S	VSS and VSSA are connected on chip.		-
8	VCAP ⁽⁴⁾	O	Not connected	-	-
9	VDD/VDDA	S	VDD and VDDA are connected on chip.		-
10	PA3	I/O	PA3	-	EXTI3
11	PB5/SWCLK/EXTCLK3	I/O	SWCLK	SWCLK_I2C_SDA ⁽³⁾	EXTI5
12	PB4	I/O	PB4	I2C_SCL	EXTI4
13	PC3	I/O	PC3	-	EXTI3
14	PC4/AIN2 ⁽²⁾	I/O	PC4	-	EXTI4
15	PC5/EXTCLK4	I/O	PC5	I2C_SDA	EXTI5
16	PC6	I/O	PC6	I2C_SCL	EXTI6
17	PC7	I/O	PC7	-	EXTI7
18	PD1	I/O	PD1	I2C_SMBA	EXTI1
19	PD2/AIN4 ⁽²⁾	I/O	PD2	-	EXTI2
20	PD3/AIN3 ⁽²⁾	I/O	PD3	-	EXTI3

(1). I = input, O = output, I/O = input/output, S = power supply.

- (2). The analog input to the ADC can be input through AIN0 – AIN4.
- (3). For the PB5 pin, the SWCLK or I2C_SDA function is selected by configuring additional registers.
- (4). The TSSOP20 package does not provide the EXTCLK2 function.

6.3 TSSOP16 package

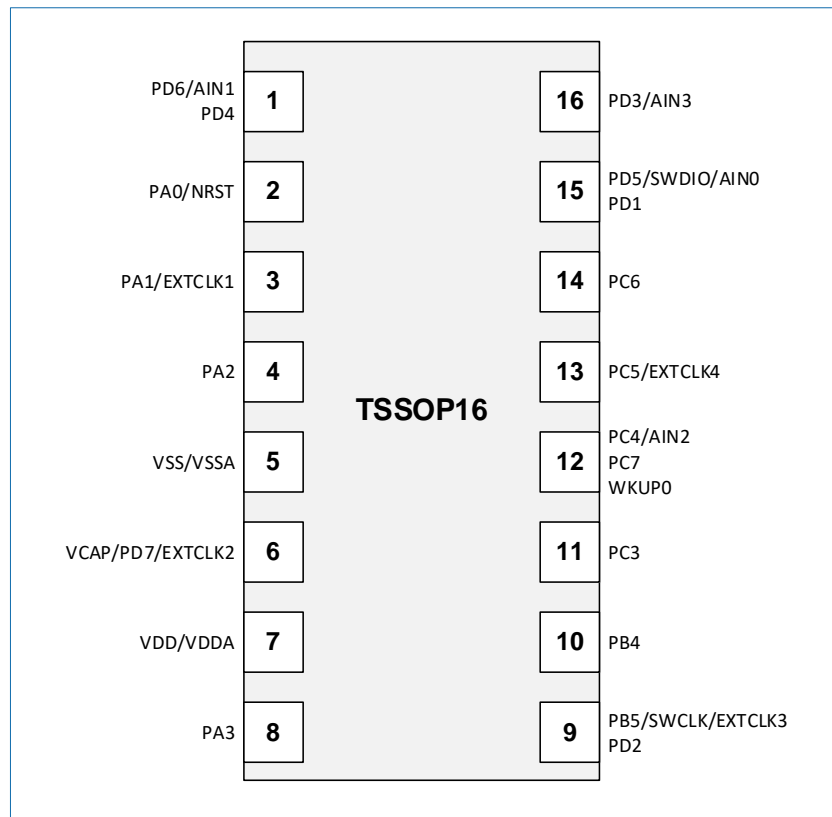


Figure 6-3 TSSOP16 pinout

Table 6-3 TSSOP16 pin description

Pin No.	Pin Name	Pin Type ⁽¹⁾	Default Function After Resets	Alternate Function (AF0)	Additional Function
1	PD6/AIN1 ⁽²⁾	I/O	PD6	-	EXTI6
	PD4	I/O	PD4	I2C_SMBA	EXTI4
2	NRST/PA0	I/O	NRST	-	EXTI0
3	PA1/EXTCLK1	I/O	PA1	-	EXTI1
4	PA2	I/O	PA2	I2C_SMBA	EXTI2
5	VSS/VSSA	S	VSS and VSSA are connected on chip.		-
6	VCAP/PD7/EXTCLK2	I/O	PD7	I2C_SMBA	EXTI7
7	VDD/VDDA	S	VDD and VDDA are connected on chip.		-
8	PA3	I/O	PA3	-	EXTI3
9	PB5/SWCLK/EXTCLK3	I/O	SWCLK	SWCLK_I2C_SDA ⁽³⁾	EXTI5
	PD2	I/O	PD2	-	EXTI2
10	PB4	I/O	PB4	I2C_SCL	EXTI4
11	PC3	I/O	PC3	-	EXTI3
12	PC4/AIN2 ⁽²⁾	I/O	PC4	-	EXTI4
	PC7	I/O	PC7	-	EXTI7
13	PC5/EXTCLK4	I/O	PC5	I2C_SDA	EXTI5
14	PC6	I/O	PC6	I2C_SCL	EXTI6
15	PD5/SWDIO/AIN0 ⁽²⁾	I/O	SWDIO	SWDIO	EXTI5
	PD1	I/O	PD1	I2C_SMBA	EXTI1
16	PD3/AIN3 ⁽²⁾	I/O	PD3	-	EXTI3

- (1). I = input, O = output, I/O = input/output, S = power supply.
- (2). The analog input to the ADC can be input through AIN0 – AIN3.
- (3). For the PB5 pin, the SWCLK or I2C_SDA function is selected by configuring additional registers.

6.4 SOP8 package

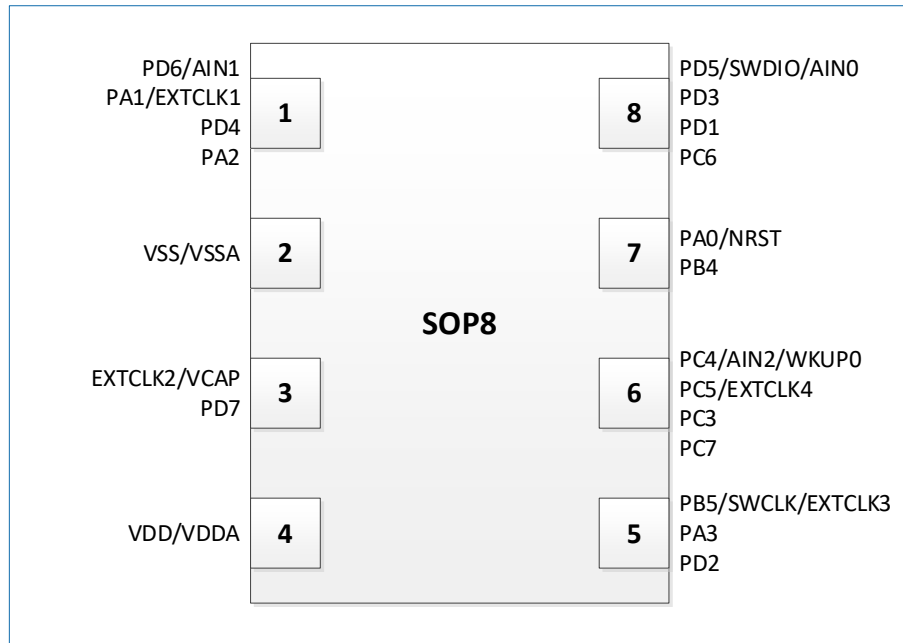


Figure 6-4 SOP8 pinout

Table 6-4 SOP8 pin description

Pin No.	Pin Name	Pin Type ⁽¹⁾	Default Function After Resets	Alternate Function (AFO)	Additional Function
1	PD6/AIN1 ⁽²⁾	I/O	PD6	-	EXTI6
	PA1/EXTCLK1	I/O	PA1	-	EXTI1
	PD4	I/O	PD4	I2C_SMBA	EXTI4
	PA2	I/O	PA2	I2C_SMBA	EXTI2
2	VSS/VSSA	S	VSS and VSSA are connected on chip.		-
3	VCAP/PD7/EXTCLK2	I/O	PD7	I2C_SMBA	EXTI7
4	VDD/VDDA	S	VDD and VDDA are connected on chip.		-
5	PB5/SWCLK/EXTCLK3	I/O	SWCLK	SWCLK_I2C_SDA ⁽³⁾	EXTI5
	PA3	I/O	PA3	-	EXTI3
	PD2	I/O	PD2	-	EXTI2
6	PC4/AIN2 ⁽²⁾	I/O	PC4	-	EXTI4
	PC5/EXTCLK4	I/O	PC5	I2C_SDA	EXTI5
	PC3	I/O	PC3	-	EXTI3
	PC7	I/O	PC7	-	EXTI7
7	NRST/PA0	I/O	NRST	-	EXTI0
	PB4	I/O	PB4	I2C_SCL	EXTI4
8	PD5/SWDIO/AIN0 ⁽²⁾	I/O	SWDIO	SWDIO	EXTI5
	PD3	I/O	PD3	-	EXTI3
	PD1	I/O	PD1	I2C_SMBA	EXTI1
	PC6	I/O	PC6	I2C_SCL	EXTI6

(1). I = input, O = output, I/O = input/output, S = power supply.

(2). The analog input to the ADC can be input through AIN0 – AIN2.

(3). For the PB5 pin, the SWCLK or I2C_SDA function is selected by configuring additional registers.

6.5 Alternate function (AF) table

Table 6-5 Alternate function table

Pin Name	AF0 (I2C/SWD)	AF1 (USART)	AF2 (SPI/I2S)	AF3 (TIM1)	AF4 (TIM2)	AF5 (RCC)	AF6 (Beeper)	AF7 (ADC)
PA0	-	-	-	TIM1_BKIN	TIM2_CH3	RCC_MCO	BEEP	ADC_ETR
PA1	-	-	-	TIM1_CH1N	TIM2_ETR	RCC_MCO	BEEP	ADC_ETR
PA2	I2C_SMBA	-	SPI_SCK/ I2S_CK	TIM1_CH2N	TIM2_CH4	RCC_MCO	BEEP	ADC_ETR
PA3	-	USART_TX	SPI_NSS/ I2S_WS	TIM1_CH3N	TIM2_CH3	RCC_MCO	BEEP	ADC_ETR
PB4	I2C_SCL	USART_RX	SPI_MISO/ I2S_MCK	TIM1_CH2N	TIM2_ETR	RCC_MCO	BEEP	ADC_ETR
PB5	SWCLK_I2C_SDA ⁽¹⁾	USART_RX	SPI_NSS/ I2S_WS	TIM1_BKIN	TIM2_CH2	RCC_MCO	BEEP	ADC_ETR
PC3	-	USART_CK	-	TIM1_CH3_CH1N ⁽²⁾	TIM2_CH1	RCC_MCO	BEEP	ADC_ETR
PC4	-	-	SPI_MISO/ I2S_MCK	TIM1_CH4_CH2N ⁽²⁾	TIM2_CH4	RCC_MCO	BEEP	ADC_ETR
PC5	I2C_SDA	-	SPI_SCK/ I2S_CK	TIM1_ETR	TIM2_CH1	RCC_MCO	BEEP	ADC_ETR
PC6	I2C_SCL	-	SPI_MOSI/ I2S_SD	TIM1_CH1	TIM2_CH3	RCC_MCO	BEEP	ADC_ETR
PC7	-	-	SPI_MISO/ I2S_MCK	TIM1_CH2	TIM2_ETR	RCC_MCO	BEEP	ADC_ETR
PD1	I2C_SMBA	USART_TX	-	TIM1_CH1	TIM2_CH4	RCC_MCO	BEEP	ADC_ETR
PD2	-	-	SPI_MOSI/ I2S_SD	TIM1_CH2	TIM2_CH3	RCC_MCO	BEEP	ADC_ETR
PD3	-	-	SPI_SCK/ I2S_CK	TIM1_CH3	TIM2_CH2	RCC_MCO	BEEP	ADC_ETR
PD4	I2C_SMBA	USART_CK	SPI_MOSI/ I2S_SD	TIM1_CH4	TIM2_CH1	RCC_MCO	BEEP	ADC_ETR
PD5	SWDIO	USART_TX	-	TIM1_ETR	TIM2_ETR	RCC_MCO	BEEP	ADC_ETR
PD6	-	USART_RX	SPI_MISO/ I2S_MCK	TIM1_CH2	TIM2_CH2	RCC_MCO	BEEP	ADC_ETR
PD7	I2C_SMBA	USART_RX	SPI_NSS/ I2S_WS	TIM1_CH3	TIM2_CH1	RCC_MCO	BEEP	ADC_ETR

- (1). The PB5 pin can be assigned to the SWCLK or I2C_SDA function by configuring the PB5_I2C1_SEL bit of the IOMUX pin function selection register.
- (2). The PC3 pin can be assigned to the TIM1 CH3 or CH1N function by configuring the PC3_TIM1_SEL bit, and the PC4 pin can be assigned to the TIM1 CH4 or CH2N function by configuring the PC4_TIM1_SEL bit of the IOMUX pin function selection register.

bit	2	1	0
	PB5_I2C1_SEL	PC4_TIM1_SEL	PC3_TIM1_SEL
access	rw	rw	rw
reset value	0	0	0

Figure 6-5 Alternate function selection of PB5/PC4/PC3

- If AF0 is assigned to PB5_AF, configure the PB5_I2C1_SEL bit to set the function of PB5:
 - 0: PB5 is the input pin of SWCLK (the configuration when the system resets)
 - 1: PB5 is the SDA pin of I2C1
- If AF3 is assigned to PC4_AF, configure the PC4_TIM1_SEL bit to set the function of PC4:
 - 0: PC4 is the CH4 pin of TIM1
 - 1: PC4 is the CH2N pin of TIM1

- If AF3 is assigned to PC3_AF, configure the PC3_TIM1_SEL bit to set the function of PC3:
 - 0: PC3 is the CH3 pin of TIM1
 - 1: PC3 is the CH1N pin of TIM1

6.6 Pin multiplexing (IOMUX)

In small packages like SOP8 and TSSOP16, the mapping from multiple GPIOs or peripheral I/Os to one pin can be implemented by using IOMUX.

The following table uses pin 8 in [Figure 6-4](#) as an example to describe pin multiplexing.

Table 6-6 Pin 8 multiplexing in the SOP8 package

Operation	Function of Pin 8
MCU reset	PD5 and the corresponding peripheral I/O in SYSCFG
Configuration of the IOMUX register	<ul style="list-style-type: none"> • PD3 and the corresponding peripheral I/O in SYSCFG • PD1 and the corresponding peripheral I/O in SYSCFG • PC6 and the corresponding peripheral I/O in SYSCFG

GPIOs and all peripheral I/O functions are available in the SOP package by using IOMUX.

7 Packages

7.1 Package outlines

7.1.1 QFN20 package

QFN20 has three types of outlines:

- 3 mm × 3 mm, 0.4 mm pitch (0.75 mm thick) package (as shown in [Figure 7-1](#)): HK32F030MF4N6
- 4 mm × 4 mm, 0.5 mm pitch package (as shown in [Figure 7-2](#)): HK32F030MF4U6
- 3 mm × 3 mm, 0.4 mm pitch (0.55 mm thick) package (as shown in [Figure 7-3](#)): HK32F030MF4S6

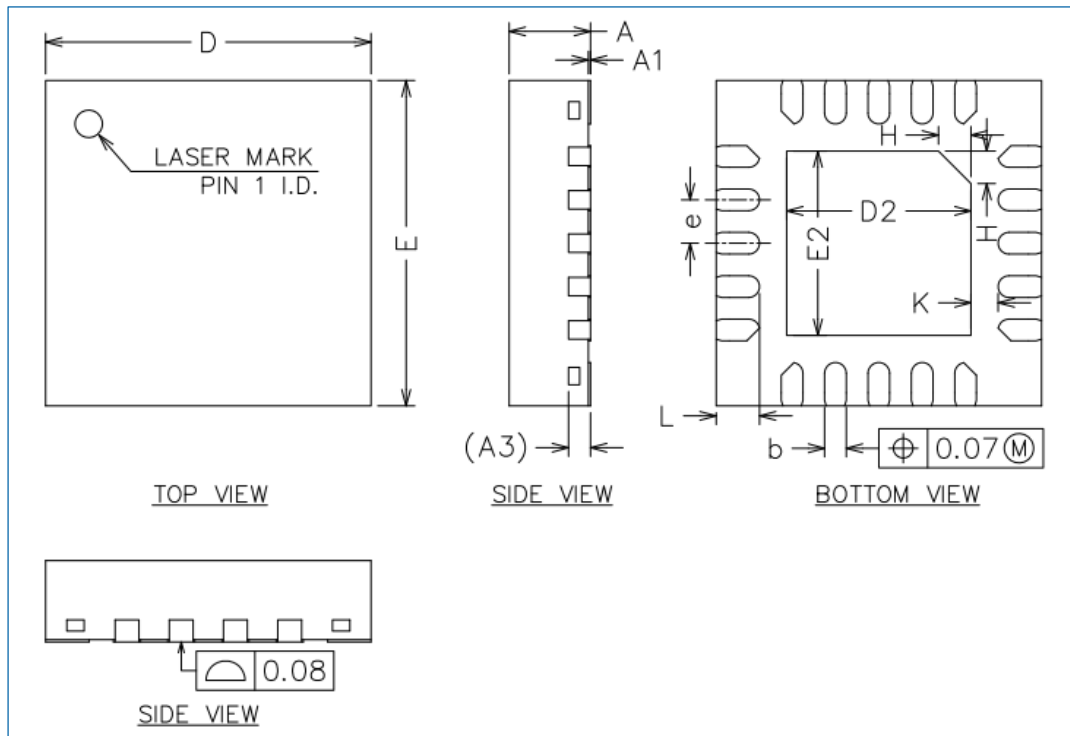


Figure 7-1 QFN20 package 1 outline

Table 7-1 QFN20 package 1 parameters

Symbol	Min (mm)	Typ (mm)	Max (mm)
A	0.70	0.75	0.80
A1	0.00	0.02	0.05
A3	0.20 REF		
b	0.15	0.20	0.25
D	2.95	3.00	3.05
E	2.95	3.00	3.05
D2	1.65	1.70	1.75
E2	1.65	1.70	1.75
e	0.30	0.40	0.50
H	0.30 REF		
K	0.15	-	-
L	0.35	0.40	0.45

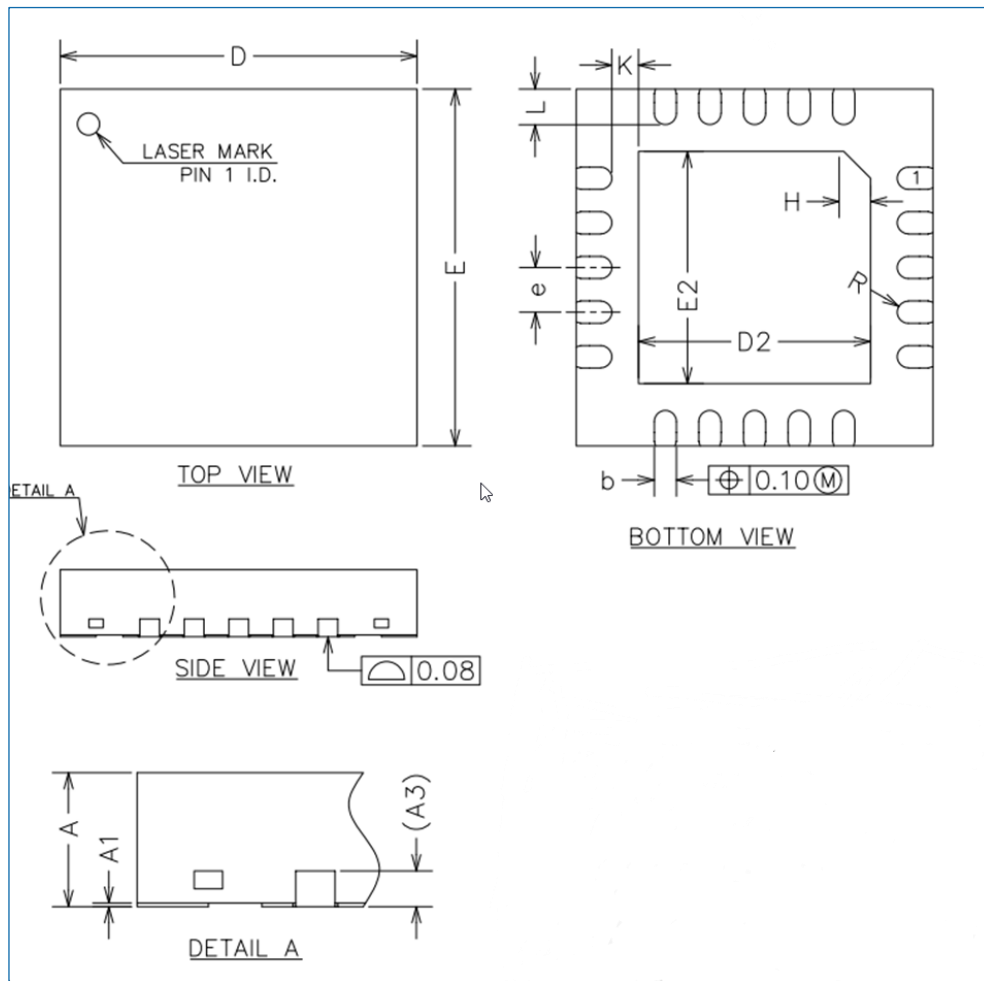


Figure 7-2 QFN20 package 2 outline

Table 7-2 QFN20 package 2 parameters

Symbol	Min (mm)	Typ (mm)	Max (mm)
A	0.70	0.75	0.80
A1	0.00	0.02	0.05
A3	0.20 REF		
b	0.20	0.25	0.30
D	3.90	4.00	4.10
E	3.90	4.00	4.10
D2	2.50	2.60	2.70
E2	2.50	2.60	2.70
e	0.40	0.50	0.60
H	0.30 REF		
K	0.20	-	-
L	0.35	0.40	0.45
R	0.10	-	-

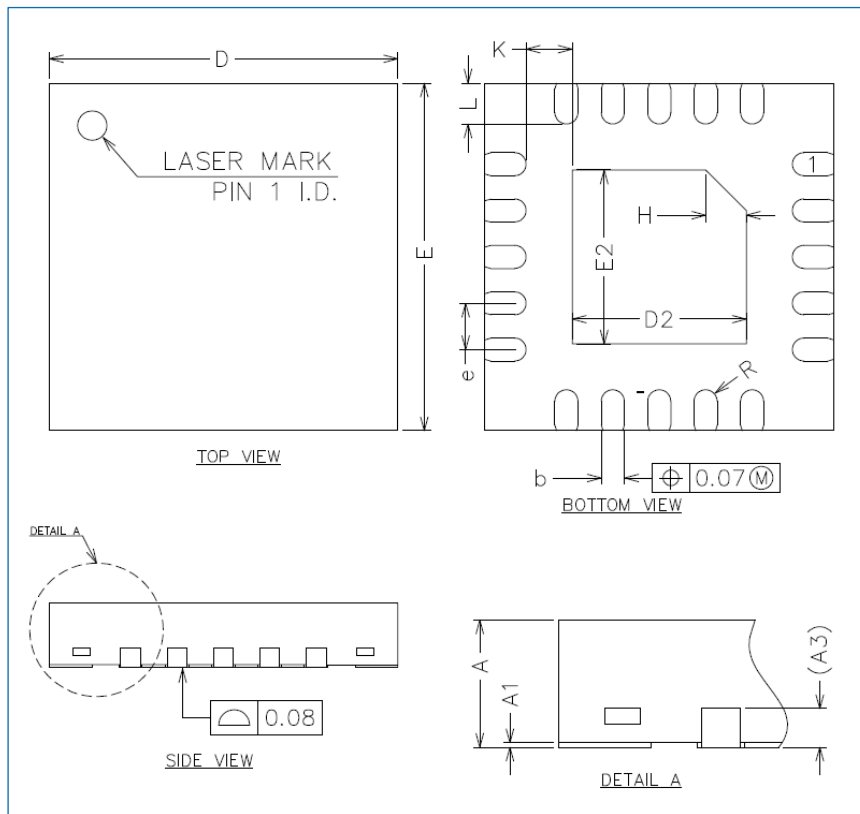


Figure 7-3 QFN20 package 3 outline

Table 7-3 QFN20 package 3 parameters

Symbol	Min (mm)	Typ (mm)	Max (mm)
A	0.50	0.55	0.60
A1	0.00	0.02	0.05
A3	0.152 REF		
b	0.15	0.20	0.25
D	2.90	3.00	3.10
E	2.90	3.00	3.10
D2	1.40	1.50	1.60
E2	1.40	1.50	1.60
e	0.325	0.40	0.475
H	0.35 REF		
K	0.40 REF	-	-
L	0.275	0.35	0.425
R	0.075	-	-

7.1.2 TSSOP20 package

TSSOP20 is a 6.5 mm × 4.4 mm, 0.65 mm pitch package.

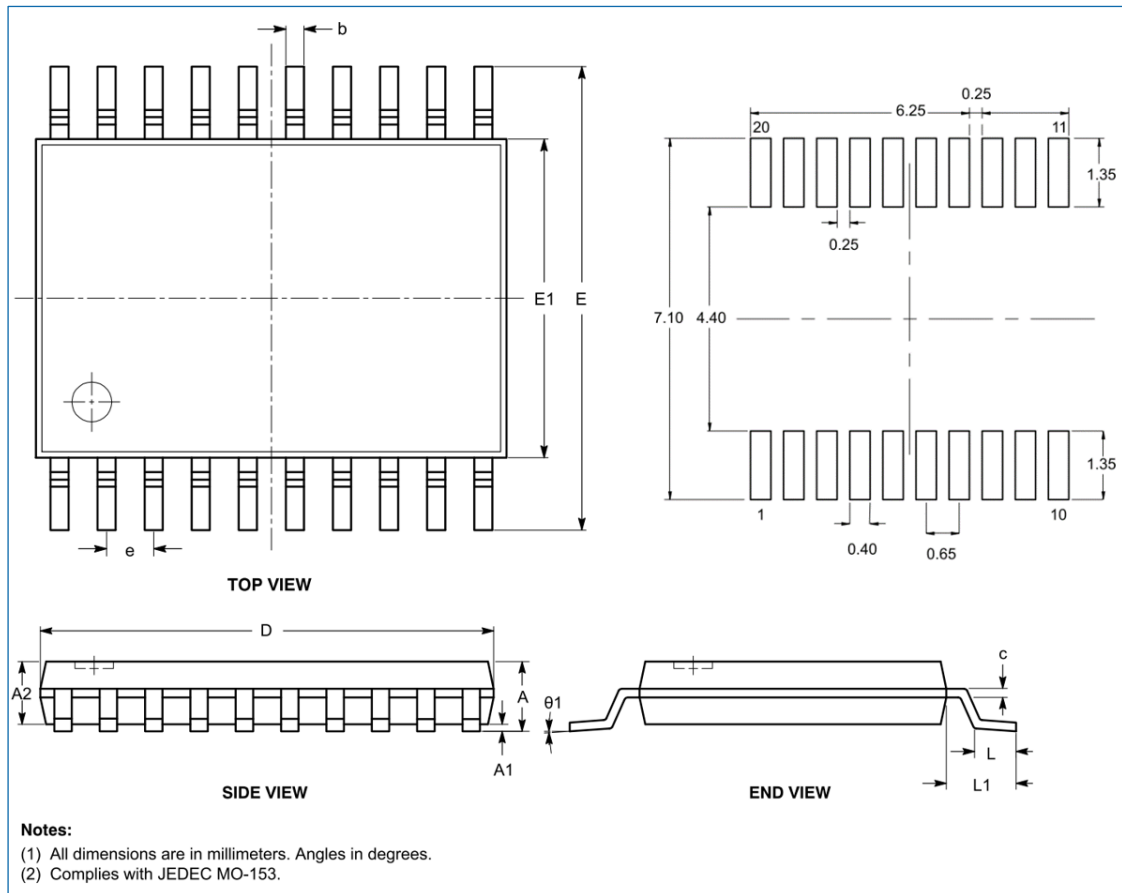


Figure 7-4 TSSOP20 package outline

Table 7-4 TSSOP20 package parameters

Symbol	Min (mm)	Typ (mm)	Max (mm)
A	-	-	1.20
A1	0.05	-	0.15
A2	0.80	-	1.05
b	0.19	-	0.30
c	0.09	-	0.20
D	6.40	6.50	6.60
E	6.30	6.40	6.50
E1	4.30	4.40	4.50
e	0.65 BSC		
L	0.45	0.60	0.75
L1	1.00 REF		
θ	0°	-	8°

7.1.3 TSSOP16 package

TSSOP16 is a 5.0 mm × 4.4 mm, 0.65 mm pitch package.

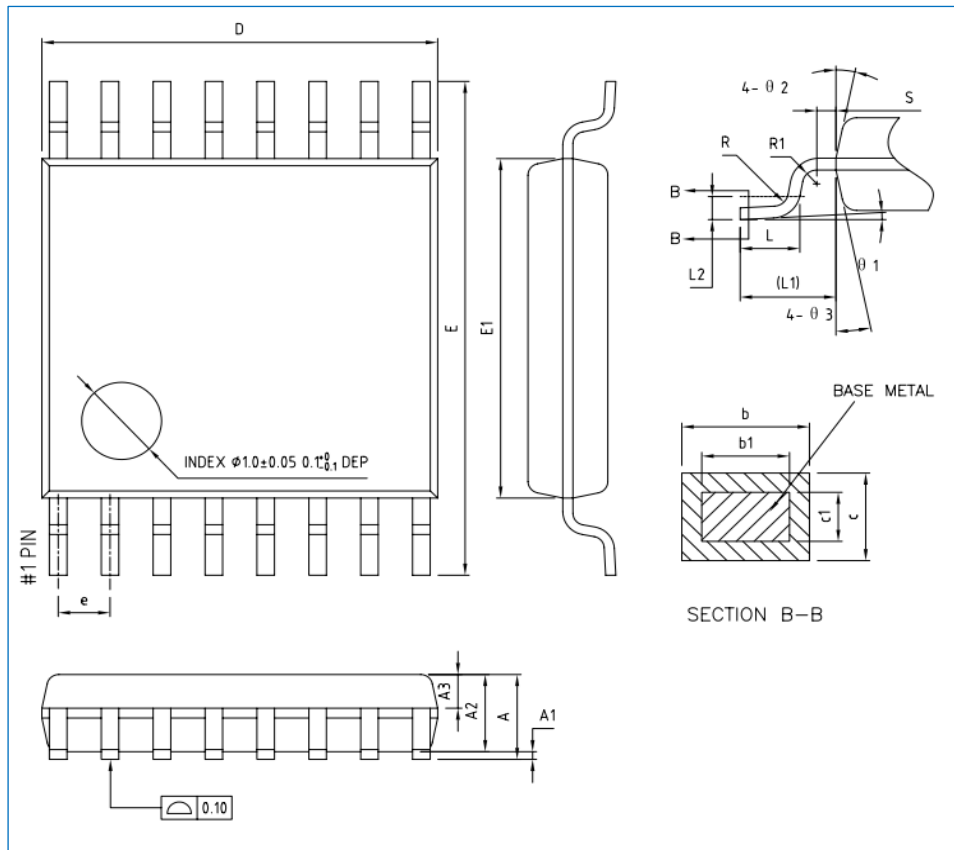


Figure 7-5 TSSOP16 package outline

Table 7-5 TSSOP16 package parameters

Symbol	Min (mm)	Typ (mm)	Max (mm)
A	-	-	1.20
A1	0.05	-	0.15
A2	0.90	1.00	1.05
A3	0.34	0.44	0.54
b	0.20	-	0.28
b1	0.20	0.22	0.24
c	0.10	-	0.19
c1	0.10	0.13	0.15
D	4.86	4.96	5.06
E	6.20	6.40	6.60
E1	4.30	4.40	4.50
e	0.65 BSC		
L	0.45	0.60	0.75
L1	1.00 REF		
L2	0.25 BSC		
R	0.09	-	-
R1	0.09	-	-
S	0.20	-	-
θ 1	0°	-	8°
θ 2	10°	12°	14°
θ 3	10°	12°	14°

7.1.4 SOP8 package

SOP8 is a 4.9 mm × 6 mm, 1.27 mm pitch package.

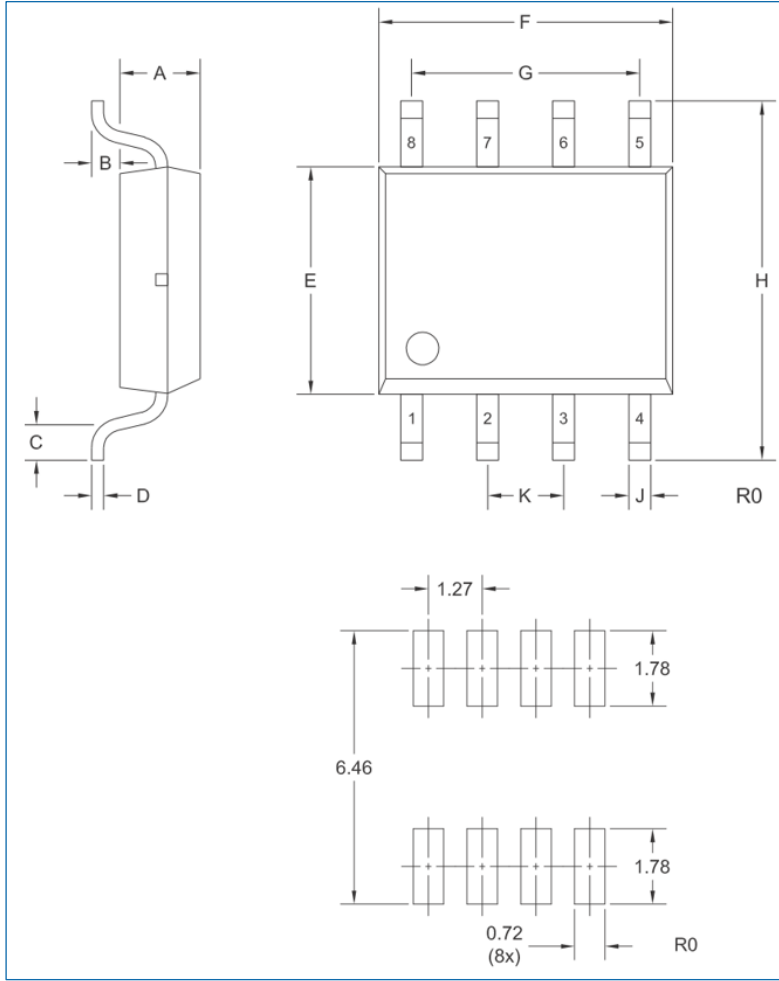


Figure 7-6 SOP8 package outline

Table 7-6 SOP8 package parameters

Symbol	Min (mm)	Max (mm)	Min (inches)	Max (inches)
A	1.24	1.44	0.049	0.057
B	0.00	0.27	0.000	0.011
C	0.46	-	0.018	-
D	0.16	0.27	0.006	0.011
E	3.70	3.90	0.145	0.154
F	4.81	5.01	0.189	0.198
G	3.81		0.150	
H	5.88	6.18	0.231	0.244
J	0.35	0.52	0.013	0.021
K	1.27		0.050	

7.2 Device marking

The device marking consists of the Hangshun logo, ARM logo, part number, and lot number. The following table describes the lot number:

Table 7-7 Lot number description

Lot Number	Description
First character	The year when the MCU was manufactured. For example, 1 indicates the year 2021.
Second and third characters	The assembly factory.
Fourth and fifth characters	The week in which the order was placed. For example, 18 indicates that the order was placed in the 18th week of the year.
Sixth, seventh, and eighth characters	The last three characters of the wafer lot number.

7.2.1 QFN20 marking

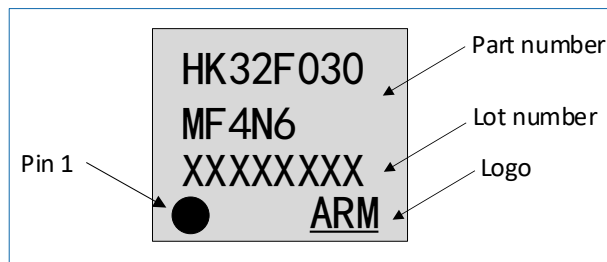


Figure 7-7 QFN20 HK32F030MF4N6 marking example

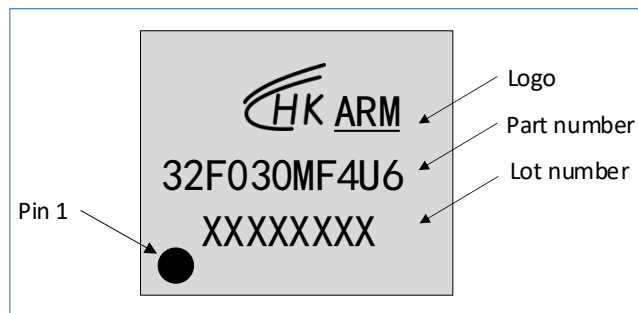


Figure 7-8 QFN20 HK32F030MF4U6 marking example

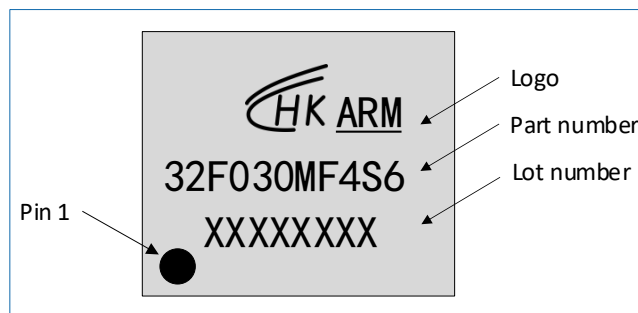


Figure 7-9 QFN20 HK32F030MF4S6 marking example

7.2.2 TSSOP20 marking



Figure 7-10 TSSOP20 HK32F030MF4P6 marking example

7.2.3 TSSOP16 marking

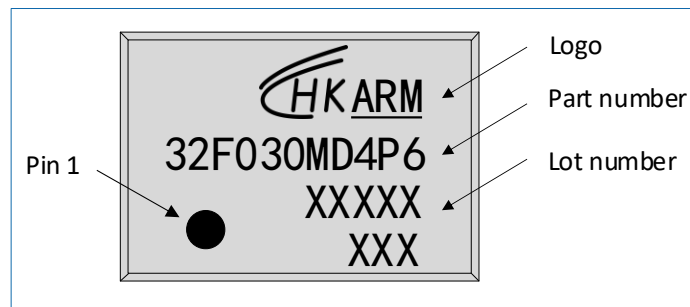


Figure 7-11 TSSOP16 HK32F030MD4P6 marking example

7.2.4 SOP8 marking

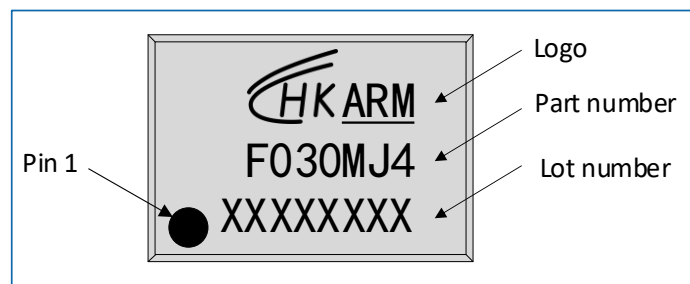


Figure 7-12 SOP8 HK32F030MJ4M6 marking example

8 Ordering information

8.1 Device numbering conventions

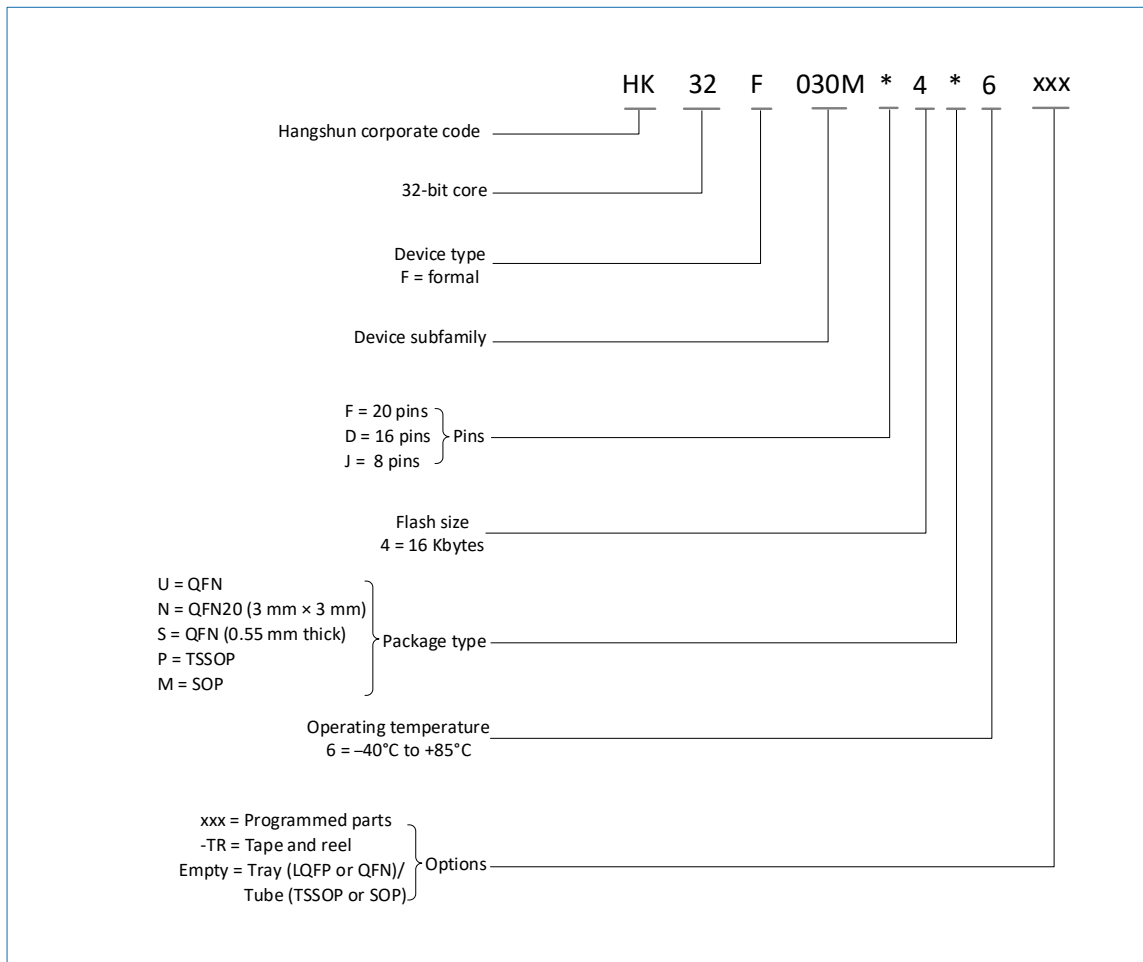


Figure 8-1 Device numbering conventions

8.2 Packaging information

Table 8-1 HK32F030M packaging information

Package	Part Number	Shipping Option	Remarks
QFN20	HK32F030MF4N6	Tray	Package outline: 3 mm × 3 mm, 0.4 mm pitch (0.75 mm thick)
QFN20	HK32F030MF4N6-TR	Tape and reel	
QFN20	HK32F030MF4U6	Tray	Package outline: 4 mm × 4 mm, 0.5 mm pitch
QFN20	HK32F030MF4U6-TR	Tape and reel	
QFN20	HK32F030MF4S6	Tray	Package outline: 3 mm × 3 mm, 0.4 mm pitch (0.55 mm thick)
QFN20	HK32F030MF4S6-TR	Tape and reel	
TSSOP20	HK32F030MF4P6	Tube	
TSSOP20	HK32F030MF4P6-TR	Tape and reel	
TSSOP16	HK32F030MD4P6	Tube	
TSSOP16	HK32F030MD4P6-TR	Tape and reel	
SOP8	HK32F030MJ4M6	Tube	
SOP8	HK32F030MJ4M6-TR	Tape and reel	

9 Acronyms

Term	Full Name
ADC	Analog-to-Digital Converter
AHB	Advanced High-performance Bus
APB	Advanced Peripheral Bus
AWU	Auto-wakeup Unit
CRC	Cyclic Redundancy Check
CSS	Clock Security System
DMA	Direct Memory Access
EEPROM	Electrically Erasable Programmable Read-only Memory
EXTI	Extended Interrupt/Event Controller
GPIO	General-purpose Input/Output
I2C	Inter-integrated Circuit
I2S	Inter-IC Sound
IWDG	Independent Watchdog
LSI	Low-speed Internal (clock signal)
MCU	Microcontroller Unit
MSPS	Million Samples per Second
NVIC	Nested Vectored Interrupt Controller
PDR	Power-down Reset
PLL	Phase-locked Loop
POR	Power-on Reset
PWM output	Pulse Width Modulation
RCC	Reset and Clock Control
RISC	Reduced Instruction Set Computer
SPI	Serial Peripheral Interface
SRAM	Static Random Access Memory
SWD	Serial Wire Debug
USART	Universal Synchronous/Asynchronous Receiver/Transmitter
WWDG	Window Watchdog

10 Legal and contact information



航顺芯片 and other Hangshun trademarks are trademarks of Shenzhen Hangshun Chip Technology R&D Co., Ltd. (hereinafter referred to as Hangshun). All other trademarks or trade names mentioned in this document are the property of their respective holders.

No part or sub-part of Hangshun product specifications and datasheets may be modified in any form or by any means without consent. Hangshun reserves the right to modify the datasheets and/or products, discontinue any product, or terminate any service without notice. It is recommended that customers obtain relevant information from the latest version and verify that the information is up-to-date and complete before placing an order. All products are sold in accordance with the terms of the sales contract provided at the time of order confirmation. The terms include the scope of warranty, intellectual property rights, and responsibility.

Hangshun guarantees the performance of Hangshun products in accordance with Hangshun's standards during the sales period. Hangshun believes it is necessary to support this warranty by using testing and other quality control techniques. Unless mandatory government regulations are brought in, special tests or measurements by using other instruments are unnecessary.

The customer acknowledges that Hangshun products are not designed or manufactured for purposes related to life support, or for systems or products in dangerous activities or environments. Malfunctioning products may cause personal injuries, deaths, or damage to property or environments (collectively referred to as high-risk activities). The Hangshun products that are used in high-risk activities are not under warranty. Hangshun assumes no liability for customers or third parties involved therein.

Hangshun will provide the same technical support, help, advice, and information as it does now (including the design, development, or debugging of the purchased circuit boards or other applications). Hangshun makes no guarantee and assumes no legal liability for all support technologies, merchantability, or fitness for a particular purpose if the support technologies are error-free and circuit boards and other applications can operate normally.

Copyright © Shenzhen Hangshun Chip Technology R&D Co., Ltd. 2015-2023

Shenzhen Hangshun Chip Technology R&D Co., Ltd.

TEL: +86-755-83247667

Website: www.hsxp-hk.com