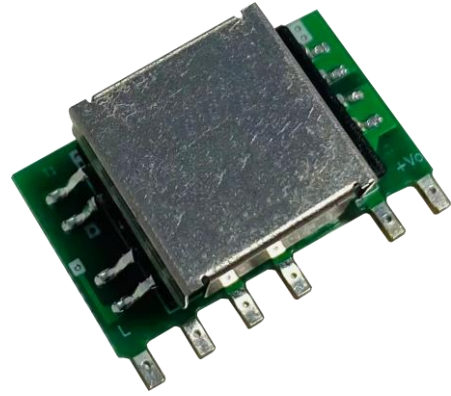




Typical Features	
◆	Wide input voltage range: 85-305VAC/120-430VDC
◆	No load power consumption ≤ 0.3W
◆	Transfer Efficiency up to 78%(TYP.)
◆	Switching Frequency: 65KHz
◆	Protections: short circuit, over current
◆	Isolation voltage: 3600Vac
◆	Meet IEC62368/UL62368/EN62368 test standard
◆	Ultra small size bare board, industrial level design
◆	PCB mounting



Application Field

DA5-220SXXG9D4 Series----- a compact size, high efficient power module offered by Aipu. It features universal input voltage range, AC and DC dual-use, low ripple, low temperature rise, low power consumption, high efficiency, high reliability, safer isolation, good EMC performance. EMC and Safety standard meet international EN55032,IEC/EN61000. These series have important application for power, industry, instrument and smart home field. For harsh EMC environment, the application circuit in the datasheet is strongly recommended.

Typical Product List

Certificate	Part No.	Output Specifications			Max. Capacitive Load	Ripple& Noise 20MHz (Max)	Efficiency@ Full Load, 220Vac (Typical)
		Power	Voltage	Current			
		(W)	u F	mVp-p			
-	DA5-220S3V3G9D4	3.3	3.3	1000	2000	100	68
-	DA5-220S05G9D4	5	5	1000	2000	100	74
-	DA5-220S09G9D4	5	9	556	1000	120	76
-	DA5-220S12G9D4	5	12	416	68	120	78
-	DA5-220S15G9D4	5	15	333	68	120	78
-	DA5-220S24G9D4	5	24	208	47	120	80

Note 1: Due to space limitations, above is only a part of our product list, please contact our sales team for more items.

Note 2: The typical value of output efficiency is based on module is full loaded and burned-in after half an hour.

Note 3: The fluctuation range of full load efficiency(% ,TYP) in table is ±2%, full load efficiency= output power/module's input power.

Note 4: Ripple & Noise is tested by twisted pair method, details please refer to Ripple & Noise test at back.

Input Specifications

Item	Operating Condition	Min	Typ.	Max	Unit
Input Voltage Range	AC input	85	220	305	VAC
	DC input	120	310	430	VDC



Input Frequency range	-	47	50	63	Hz
Input Current	115VAC	/	/	0.10	A
	220VAC	/	/	0.08	
Surge Current	115VAC	/	/	11	
	220VAC	/	/	21	
Leakage Current	-	0.25mA TYP/230VAC/50Hz			
Recommended External Input Fuse	-	1A-3A/250VAC slow fusing			
Hot Plug	-	unavailable			
Remote Control Terminal	-	unavailable			

Output Specifications

Item	Operating Condition		Min	Typ.	Max	Unit
Voltage Accuracy	Full input voltage range, 10-100% load(0%-10% load with stable output, could work)	3.3 V	-	±2.0	±8.0	%
		Others	-	±2.0	±6.0	%
Line Regulation	Nominal load	Vo	-	±1.0	±2.0	%
Load Regulation	Nominal input voltage, 20%~100% load	Vo	-	±1.0	±5.0	%
No Load Consumption	Input 115VAC		-	-	0.3	W
	Input 220VAC		-	-		
Minimum Load	Single Output		10	-	-	%
Start up Delay Time	Nominal input voltage (full load)		-	600	-	mS
Power-off Holding Time	Input 115VAC (full load)		-	50	-	mS
	Input 220VAC (full load)		-	80	-	
Dynamic Response	Overshoot range	25%~50%~25%	-5.0	-	+5.0	%
	Recovery time	50%~75%~50%	-5.0	-	+5.0	mS
Output Overshoot	Full input voltage range		≤10%Vo			%
Short circuit Protection			Continuous, self-recovery			Hiccup
Temperature Drift	-		-	±0.03%	-	%/°C
Over Current Protection	Input 220VAC		≥110% Io self-recovery			Hiccup

General Specifications

Item	Operating Condition	Min	Typ.	Max	Unit
Switching Frequency	-	-	65	-	KHz
Operating Temperature	-	-40	-	+75	°C



Storage Temperature		-	-40	-	+85	
Soldering Temperature		Wave soldering	260±4℃, time 5-10S			
		Manual soldering	360±8℃, time 4-7S			
Relative Humidity		-	10	-	90	%RH
Isolation Voltage	I/P-O/P	Test 1min,leakage current≤5mA	3600	-	-	VAC
Insulation Resistance	I/P-O/P	@ DC500V	100	-	-	MΩ
Safety Standard		-	EN62368, IEC62368			
Vibration		-	10-55Hz,10G,30Min,alongX,Y,Z			
Safety Standard		-	CLASS II			
MTBF		-	MIL-HDBK-217F@25℃>300,000H			

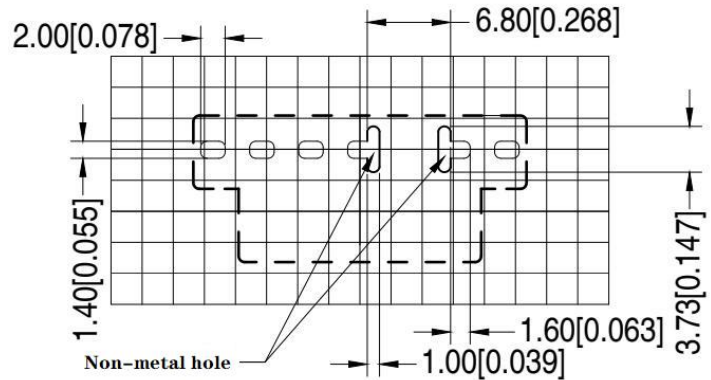
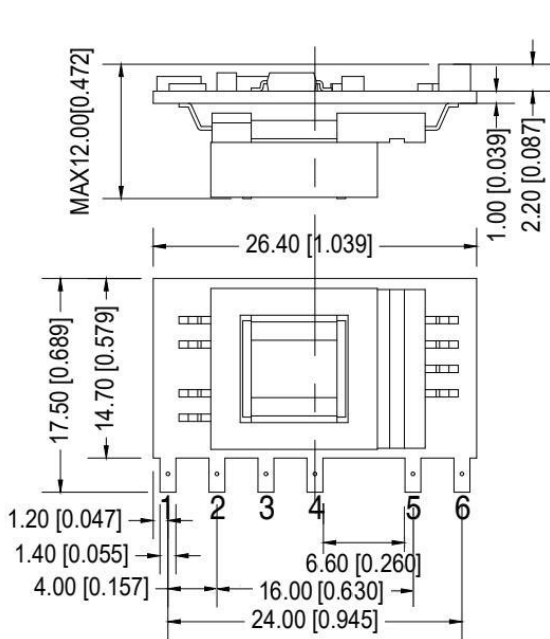
EMC Characteristics

Total Item		Sub Item	Test Standard	Class
EMC	EMI	CE	CISPR22/EN55032	CLASS B (See Recommended Circuit on photo 2)
		RE	CISPR22/EN55032	CLASS B (See Recommended Circuit on photo 2)
	EMS	RS	IEC/EN61000-4-3	10V/m Perf.Criteria B (See Recommended Circuit on photo 1)
		CS	IEC/EN61000-4-6	3Vr.m.s Perf.Criteria B (See Recommended Circuit on photo 1)
		ESD	IEC/EN61000-4-2	Contact ±6KV / Air ±8KV Perf.Criteria B
		Surge	IEC/EN61000-4-5	±1KV Perf.Criteria B
		EFT	IEC/EN61000-4-4	±2KV Perf.Criteria B
		Voltage dips, short interruptions and voltage variations immunity	IEC/EN61000-4-11	0%~70% Perf.Criteria B

Dimension



THIRD ANGLE PROJECTION 



Note:
Grid:2.54*2.54mm
Unit:mm[inch]
General tolerance: ± 1.00mm[± 0.039inch]
Layout is for reference, please refer to actual item

Packing Code	L x W x H	
-	26.4 x 17.5x 12.0 mm	1.039 x 0.689x 0.472 inch

Pin Specification

Pin	1	2	3	4	5	6
Single(S)	AC(L)	AC(N)	+Vc	-Vc	-Vo	+Vo

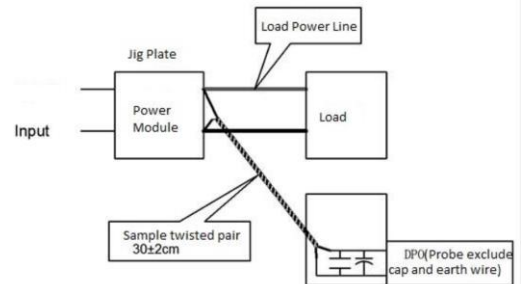
Note: If the definition of pin is not in accordance with the model selection manual, please refer to the label on actual item.

Ripple & Noise Test: (Twisted Pair Method 20MHZ bandwidth)

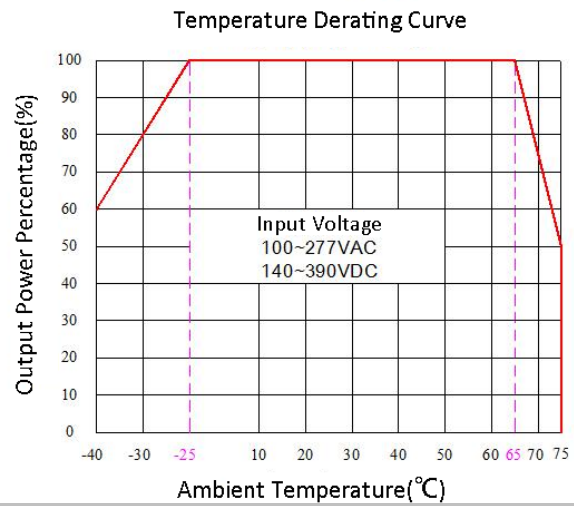
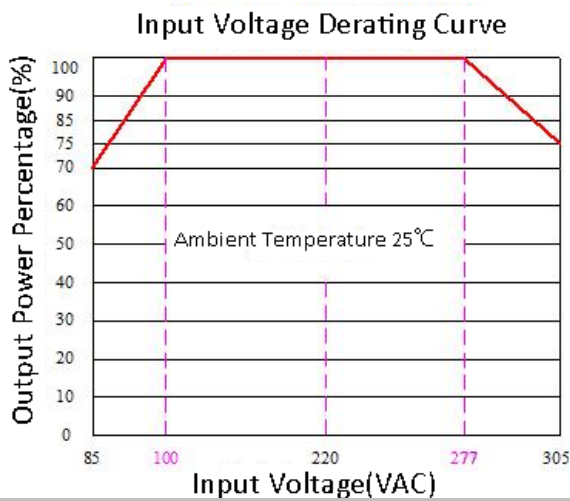
Test Method:

(1) 12# twisted pair to connect, Oscilloscope bandwidth set as 20MHz, 100M bandwidth probe, terminated with 0.1uF polypropylene capacitor and 10uF high frequency low resistance electrolytic capacitor in parallel, oscilloscope set as Sample pattern.

(2) Input terminal connect to power supply, output terminal connect to electronic load through jig plate, Use 30cm±2 cm sampling line, Power line selected from corresponding diameter wire with insulation according to the flow of output current.



Product Characteristic Curve



Note 1: Input Voltage should be derated based on Input voltage derating curve when it is 85~100VAC/277~305VAC/120~140VDC/390~430VDC.

Note 2: Our product is suitable to use under natural air cooling environment, if use it under closed condition, please contact with us.

Typical Application Circuit and EMC Recommended Circuit

1. Typical Application Circuit

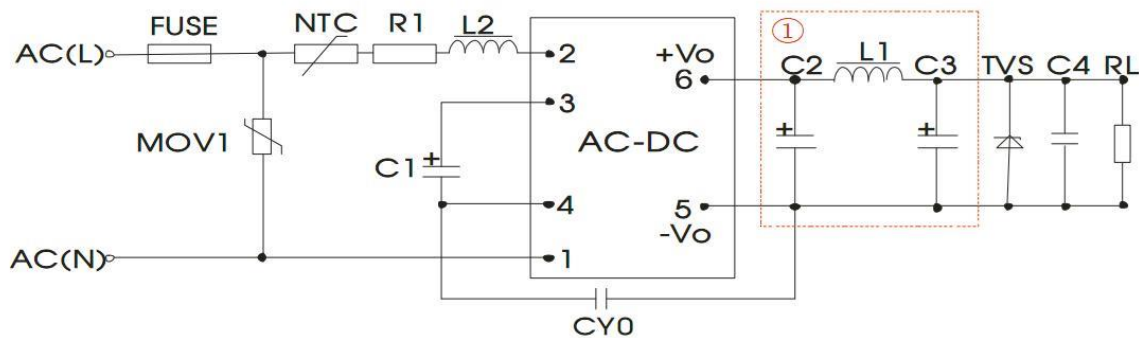
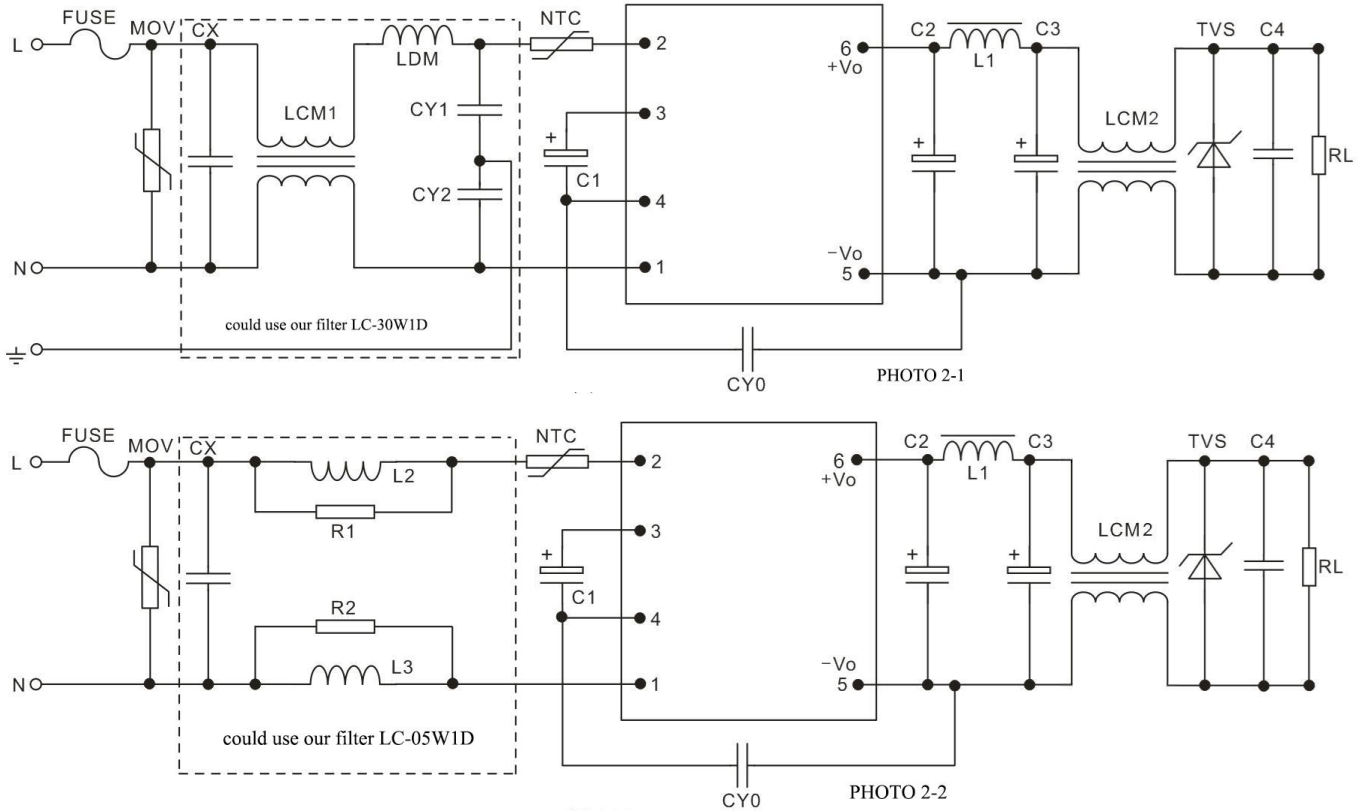


Photo 1 Note: ① is π Type filter

Products Number	C1 (Necessary)	C2 (Necessary to connect the external electrolytic capacitor)	L1 (Necessary)	C3 (Necessary to connect the external electrolytic capacitor)	C4	L2	NTC	CY0	FUSE (Necessary)	TVS Tube					
DA5-220S3V3G9D4	22uF /450V	470uF/10V	2.0uH	100uF/10V	0.1uF/5 0V	4.7mH	5D-9	102M/ 400V	1A/ 250V	SMBJ7.0A					
DA5-220S05G9D4		470uF/10V		100uF/10V						SMBJ7.0A					
DA5-220S09G9D4		220uF/16V		220uF/16V						0.1uF/5 0V	4.7mH	5D-9	102M/ 400V	1A/ 250V	SMBJ12A
DA5-220S12G9D4		220uF/16V		68uF/16V						0.1uF/5 0V	4.7mH	5D-9	102M/ 400V	1A/ 250V	SMBJ20A
DA5-220S15G9D4		220uF/35V		68uF/35V											SMBJ20A
DA5-220S24G9D4		100uF/35V		47uF/35V											SMBJ30A

2. EMC recommended circuit (Used Under high EMC requirement)



Component	Recommend 1A, 250V (Necessary)	NTC	5D-9
MOV	10D561K	CY1, CY2	1nF/400VAC
CX	Recommended 0.22uF/275Vac	LDM	330uH
LCM1	40mH min	L2,L3	Color ring inductor 1mH, 1W
LCM2	40mH min	R1, R2	Resistor 2.2K, above 1/8W

Note 1:

1. The product should be used within the specification range, or it will cause permanent damage to it;
2. The input terminal should connect to fuse;
3. If the product is worked under the minimum requested load, the product performance cannot be guaranteed to comply with all parameters in the datasheet;
4. If the product is not operated within the required load range, the product performance cannot be guaranteed to comply with all parameters in the datasheet;
5. Unless otherwise specified, parameters in this datasheet were measured under the conditions of Ta=25°C, humidity<75% with nominal input voltage and rated output load(pure resistance load);
6. All index testing methods in this datasheet are based on our Company's corporate standards;
7. The performance indexes of the product models listed in this manual are as above, but some indexes of non-standard model products will exceed the above-mentioned requirements, please directly contact our technician for specific information;
8. We can provide product customization service,
9. Specifications are subject to change without prior notice, please follow up with our website for latest manual.