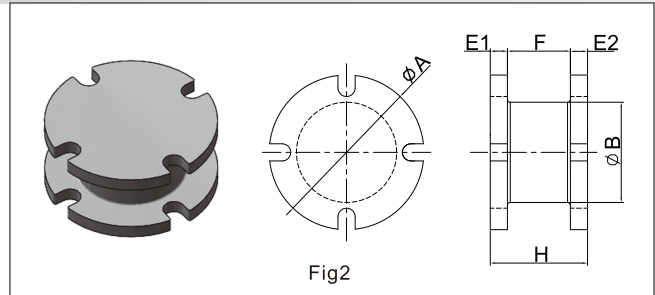
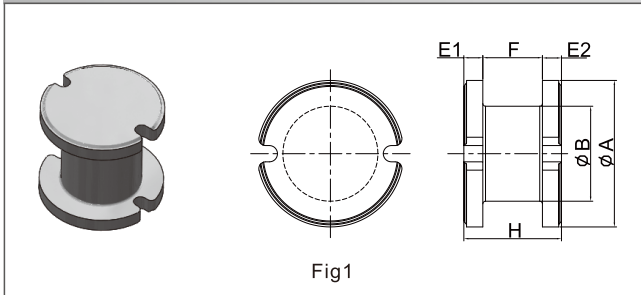


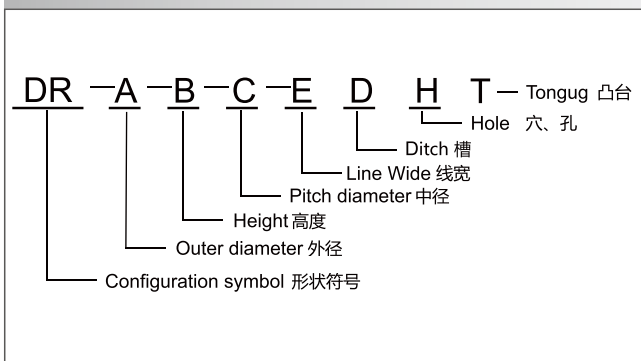
品名对照表 Name Table
DR/SI Type Core

NO	通用品名 Item	品名规格 Description	Fig	Page
1	SH3018	DR-2.45-1.55-1.1-0.75D	1	51
		SI-3.8-1.65-2.6S	1	52
2	SH4018	DR-3.5-1.6-1.6-0.8D	1	51
		SI-4.8-1.7-3.6	1	52
3	SH4028	DR-3.5-2.6-1.6-1.8D	1	51
		SI-4.8-2.7-3.6S	1	52
4	SH5018	DR-4.3-1.6-2.0-0.7	1	51
		SI-5.8-1.7-4.4S	4	52
5	SH5028	DR-4.3-2.6-2.0-1.7D	1	51
		SI-5.8-2.7-4.4S	1	52
6	SH6028	DR-5.3-2.6-2.7-1.7D	1	51
		SI-6.8-2.7-5.4S	1	52

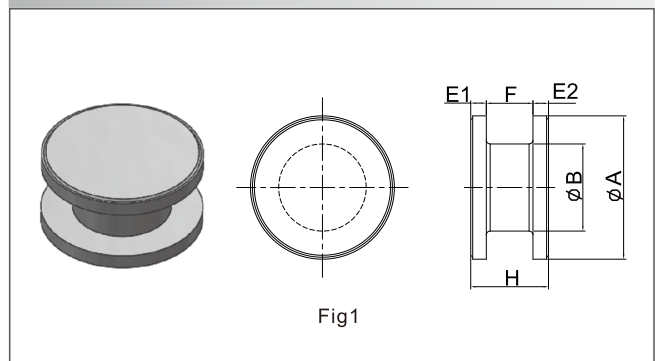
DR Type Core



Identification:



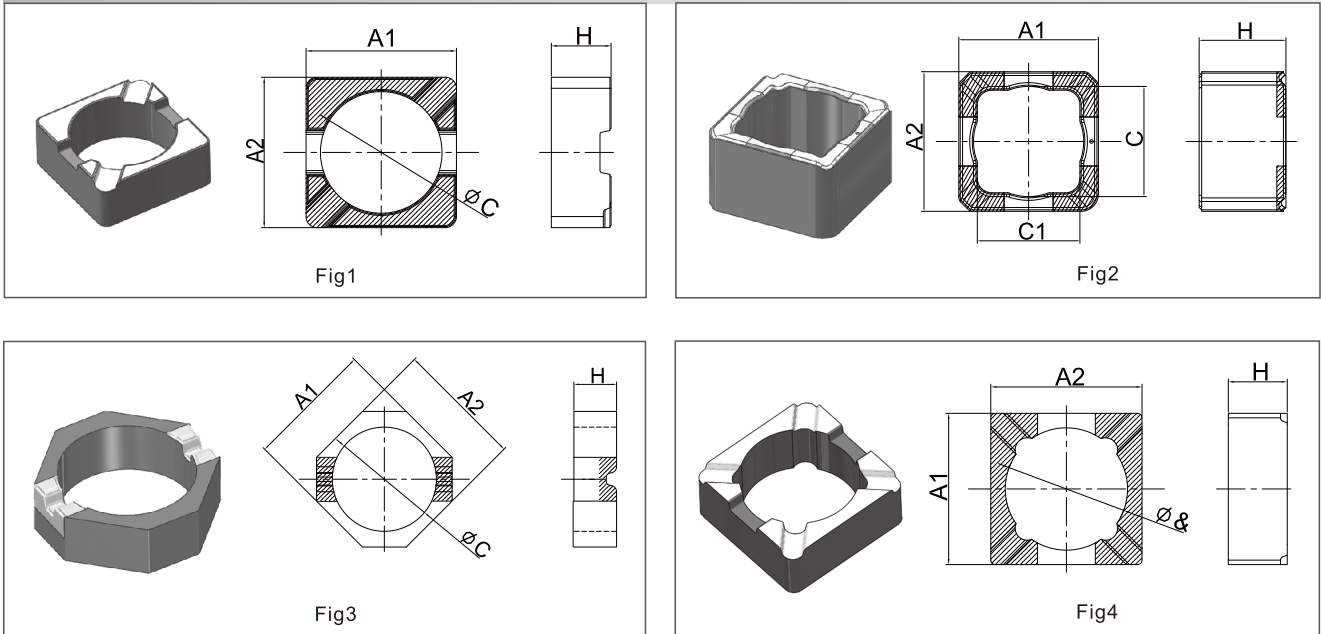
DR Type Core



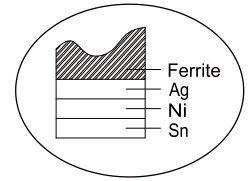
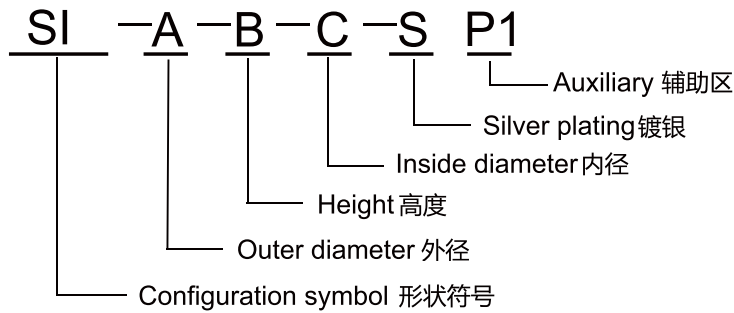
Dimensions

Part No.	Item	Dimensions							Fig
		ϕA	H	ϕB	E1	E2	F		
DR-1.7-1.1-1.0-0.5D	SU2011	1.70±0.1	1.10±0.07	1.00±0.07	0.30±0.07	0.30±0.07	0.50±0.07	1	
DR-1.9-1.2-0.9-0.6D	SU2013	1.90±0.1	1.20±0.07	0.90±0.07	0.30±0.07	0.30±0.07	0.60±0.07	1	
DR-1.9-1.5-0.95-0.8D	SU2016	1.90±0.1	1.60±0.07	0.95±0.07	0.35±0.07	0.35±0.07	0.80±0.07	1	
DR-2.2-1.3-1.3-0.7D	SU3014	2.20±0.1	1.30±0.07	1.30±0.07	0.30±0.07	0.30±0.07	0.70±0.07	1	
DR-2.2-2.7-1.7-2.0D	SU3028	2.20±0.1	2.70±0.1	1.70±0.07	0.35±0.07	0.35±0.07	2.00±0.07	1	
DR-3.2-1.0-1.4-0.4D	SU4011	3.20±0.1	1.00±0.1	1.40±0.07	0.30±0.07	0.30±0.07	0.40±0.07	1	
DR-3.2-1.7-1.6-1.0D	SU4018	3.20±0.1	1.70±0.1	1.60±0.07	0.35±0.07	0.35±0.07	1.00±0.07	1	
DR-3.8-1.28-1.8-0.68D	SU4815	3.80±0.1	1.28±0.1	1.80±0.07	0.30±0.07	0.30±0.07	0.68±0.07	1	
DR-3.8-2.2-1.8-1.4D	SU4822	3.80±0.1	2.20±0.1	1.80±0.1	0.40±0.1	0.40±0.1	1.40±0.1	1	
DR-3.9-2.7-2.0-1.5D	SU4028	3.90±0.1	2.70±0.1	2.00±0.1	0.60±0.1	0.60±0.1	1.50±0.1	1	
DR-4.3-2.6-2.0-1.7D	SU5028	4.20±0.1	2.60±0.1	2.00±0.1	0.45±0.1	0.45±0.1	1.70±0.1	1	
DR-5.3-2.6-2.7-1.7D	SU6828	5.30±0.1	2.60±0.1	2.70±0.1	0.45±0.1	0.45±0.1	1.70±0.1	1	
DR-6.2-1.6-3.2-0.8D	SU7018	6.20±0.1	1.60±0.1	3.20±0.1	0.40±0.1	0.40±0.1	0.75±0.1	2	
DR-6.2-3.6-4.0-2.3D	SU7038	6.20±0.1	3.60±0.1	4.00±0.1	0.65±0.1	0.65±0.1	2.30±0.1	2	
DR-7.5-3.6-4.2-2.4D		7.50±0.15	3.60±0.1	4.20±0.1	0.60±0.1	0.60±0.1	2.50±0.1	1	
DR-7.5-4.6-4.0-3.4D		7.50±0.15	4.60±0.1	4.00±0.1	0.60±0.1	0.60±0.1	3.40±0.1	1	
DR-7.5-6.2-4.8-5.0D		7.50±0.15	6.20±0.1	4.80±0.1	0.60±0.1	0.60±0.1	5.00±0.1	1	
DR-7.9-2.6-4.8-1.3D		7.90±0.15	2.60±0.1	4.80±0.1	0.65±0.1	0.65±0.1	1.30±0.1	2	

SI Type Core



Identification:

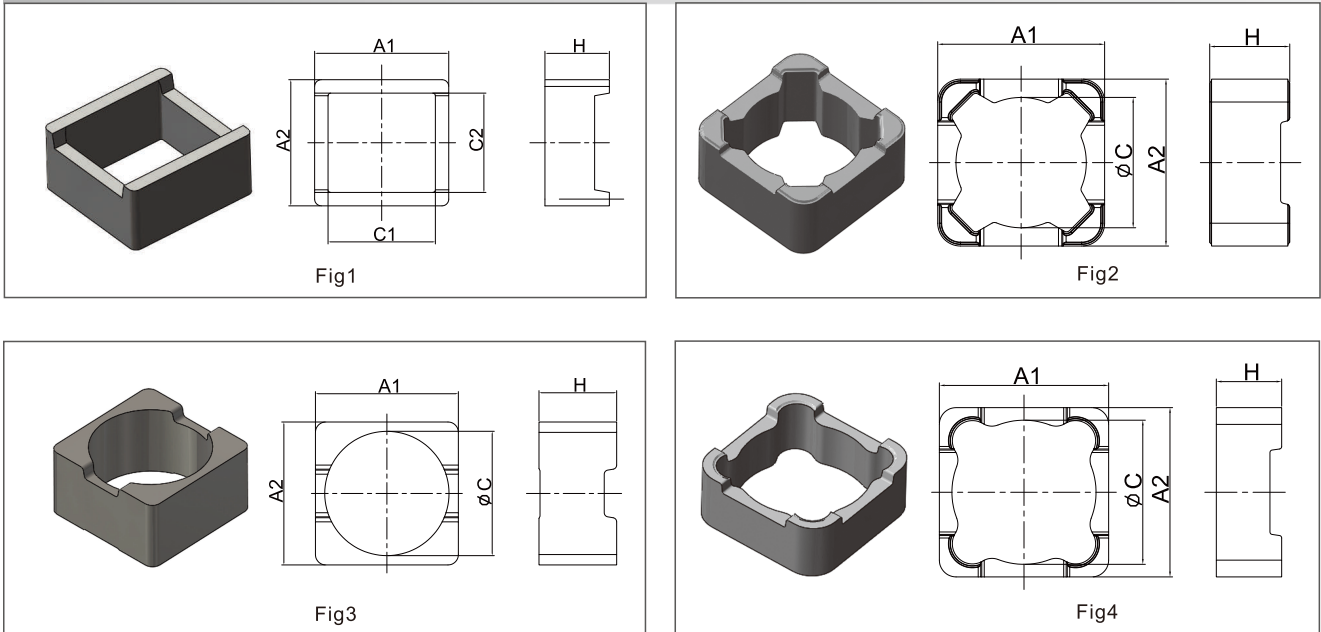


端银电镀图示
Graphical representation

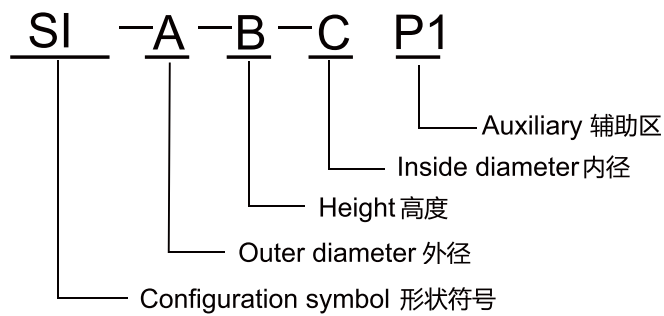
Dimensions

Part No.	Item	Dimensions					
		A1	A2	H	ΦC1		Fig
SI-2.6-1.1-1.8S	SH2012	2.60±0.07	2.60±0.07	1.10±0.07	1.80±0.07		1
SI-3.8-1.1-2.6S	SH3012	3.80±0.1	3.80±0.1	1.10±0.1	2.60±0.1		1
SI-3.8-1.65-2.6S	SH3018	3.80±0.1	3.80±0.1	1.65±0.1	2.60±0.1		1
SI-4.8-1.7-3.6S	SH4018	4.80±0.1	4.80±0.1	1.70±0.1	3.60±0.1		1
SI-4.8-2.7-3.6S	SH4028	4.80±0.1	4.80±0.1	2.70±0.1	3.60±0.1		1
SI-4.8-2.8-3.75S	SH4028	4.80±0.1	4.80±0.1	2.80±0.1	3.75±0.1		2
SI-5.05-1.1-3.85S	SH5012	5.05±0.1	5.05±0.1	1.10±0.1	3.85±0.1		3
SI-5.05-1.7-3.85S	SH5018	5.05±0.1	5.05±0.1	1.70±0.1	3.85±0.1		3
SI-5.05-1.7-4.15S	SH5018	5.05±0.1	5.05±0.1	1.70±0.1	4.15±0.1		4
SI-5.8-1.7-4.4S	SH5018	5.80±0.1	5.80±0.1	1.70±0.1	4.40±0.1		1
SI-5.8-2.7-4.4S	SH5028	5.80±0.1	5.80±0.1	2.70±0.1	4.40±0.1		1
SI-6.8-2.7-5.4S	SH6028	6.80±0.15	6.80±0.15	2.70±0.1	5.40±0.15		1

SI Type Core



Identification:



Dimensions

Part No.	Item	Dimensions						Fig
		A1	A2	H	Φ C1	C2		
SI-5.0-2.4-4.0	SH5025	5.00±0.15	4.70±0.15	2.40±0.1	4.00±0.1	3.70±0.1		1
SI-6.9-3.75-6.0	SH7040	6.90±0.15	6.90±0.15	3.75±0.1	6.00±0.15			2
SI-7.3-2.7-5.7	CDRH73	7.30±0.15	7.30±0.15	2.70±0.15	5.70±0.15			3
SI-7.3-3.5-5.7	CDRH74	7.30±0.15	7.30±0.15	3.50±0.15	5.70±0.15			3
SI-7.3-4.4-5.7	CDRH75	7.30±0.15	7.30±0.15	4.50±0.15	5.70±0.15			3
SI-10.1-3.9-8.6	SF1050	10.10±0.15	10.10±0.15	3.90±0.12	8.60±0.15	11.10±0.15		4
SI-10.1-6.0-8.6	SF1080	10.10±0.15	10.10±0.15	6.00±0.12	8.60±0.15	11.10±0.15		4
SI-12.1-3.65-10.7	CDRH124	12.10±0.2	12.10±0.2	3.65±0.15	10.70±0.2			4
SI-12.1-5.0-10.7	CDRH125	12.10±0.2	12.10±0.2	5.00±0.15	10.70±0.2			4
SI-12.1-6.6-10.7	CDRH127	12.10±0.2	12.10±0.2	6.60±0.15	10.70±0.2			4
SI-12.1-8.8-10.7	CDRH129	12.10±0.2	12.10±0.2	8.80±0.2	10.70±0.2			4