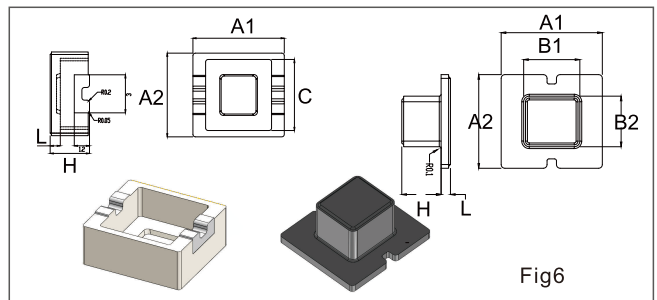
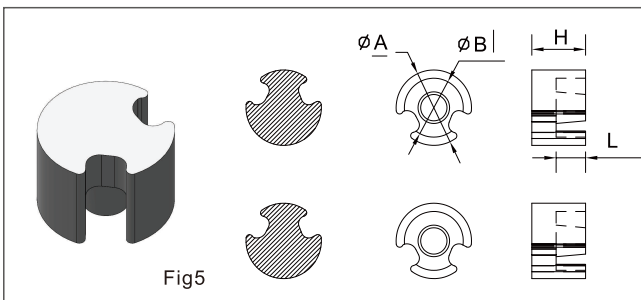
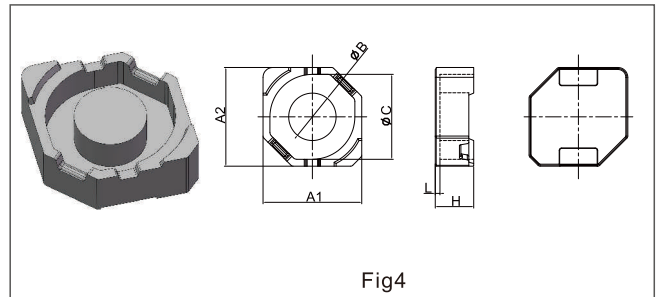
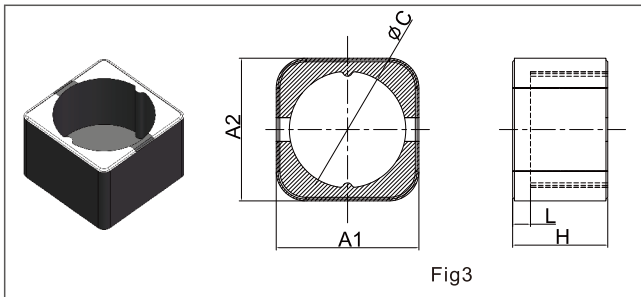
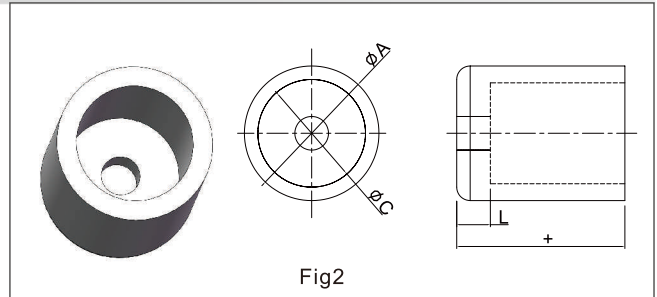
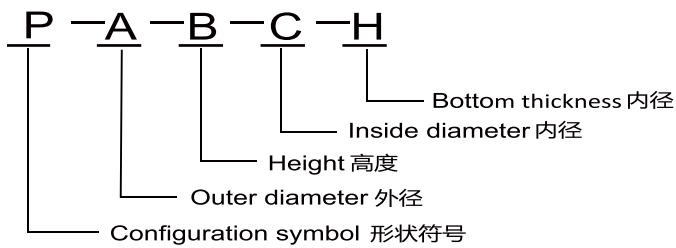


### P Type Core



### Identification:



### Dimensions

Part No.	Item	Dimensions						Fig
		A1	A2	H	$\Phi B$	$\Phi C$	L	
P-5.1-2-2.6-2.0-4.0S		5.2±0.1		2.6±0.1	4.0±0.1	1.6±0.1		5
P-7.8-9.2-6.2-1.2		7.80±0.15		9.20±0.2		6.20±0.15	1.2±0.1	1
P-9.9-7.0-8.1-1.5		9.90±0.2		7.00±0.2		8.10±0.2	1.5±0.1	2
P-10-8.2-8.0-1.5S		10.0±0.2		8.20±0.2		8.00±0.2	1.5±0.1	3
P-12.3-7.6-10.3-1.2		12.3±0.2	12.3±0.2	7.60±0.2	5.85±0.15	10.3±0.2	1.20±0.1	4
P-7.2-3.1-5.6-5.2S		7.2±0.5	6.0±0.15	3.1±0.15		5.6±0.15	0.8±0.1	6
P-5.4-2.6-3.9-2.7		5.4±0.15	5.0±0.15	2.6±0.1	3.0±0.1	2.7±0.15	0.5±0.1	7